

Important: Read all instructions prior to installation.

Field-Selectable CCT LED Wall Pack



Specifications

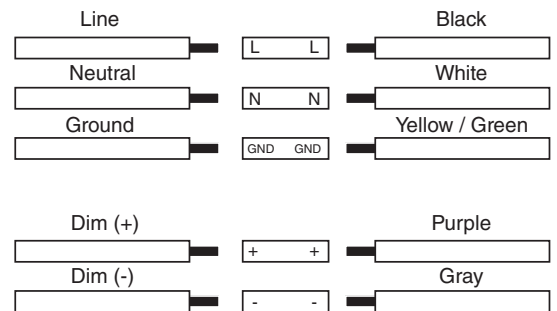
Model	MWP2-SW50Kx-SLFBR
Ambient Operating Temperature	-4°–113° F (-20°–45° C)
Environmental Rating	IP65
Dimming	0–10 V
Photocell Operation	Light will turn on when the ambient light level falls below 25 lx and will turn off when the ambient light level exceeds 130 lx.

Check product label for specific electrical specifications related to installation. Improper installation will void warranty.

Safety and Notes

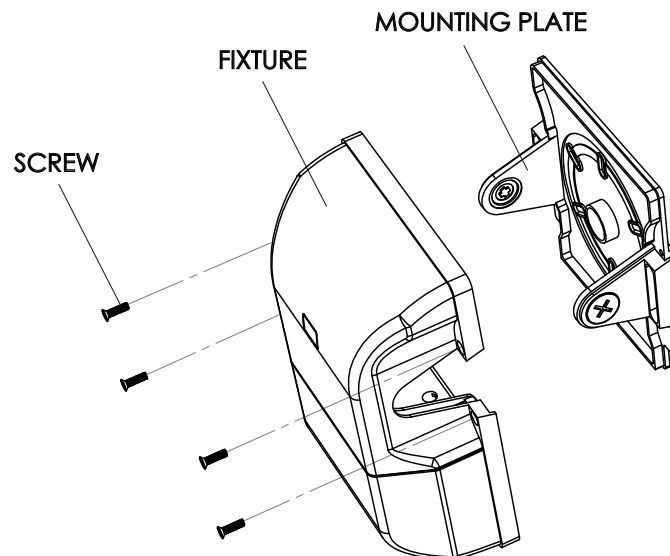
- Product should be installed and serviced by in accordance with applicable national, state, and local building and electrical codes.
- To reduce the risk of electric shock, ensure that the main power source and circuit breakers are switched off before performing any installation or wiring procedures.
- Avoid looking directly into lamp when illuminated.
- Ensure all mounts are securely attached and will support the weight of the fixture. Failure to properly support fixture may result in damage or injury, for which the manufacturer does not assume responsibility.
- Photocell sensor can be disabled by unplugging it and capping the connector that was attached to the sensor.

Wiring Diagram



CCT Selection

To set CCT, open the wall pack and use internal switch to select the desired color temperature. This process should be done prior to installation. If adjustment is needed after installation, make certain to remove supply power before opening the wall pack or making any changes.

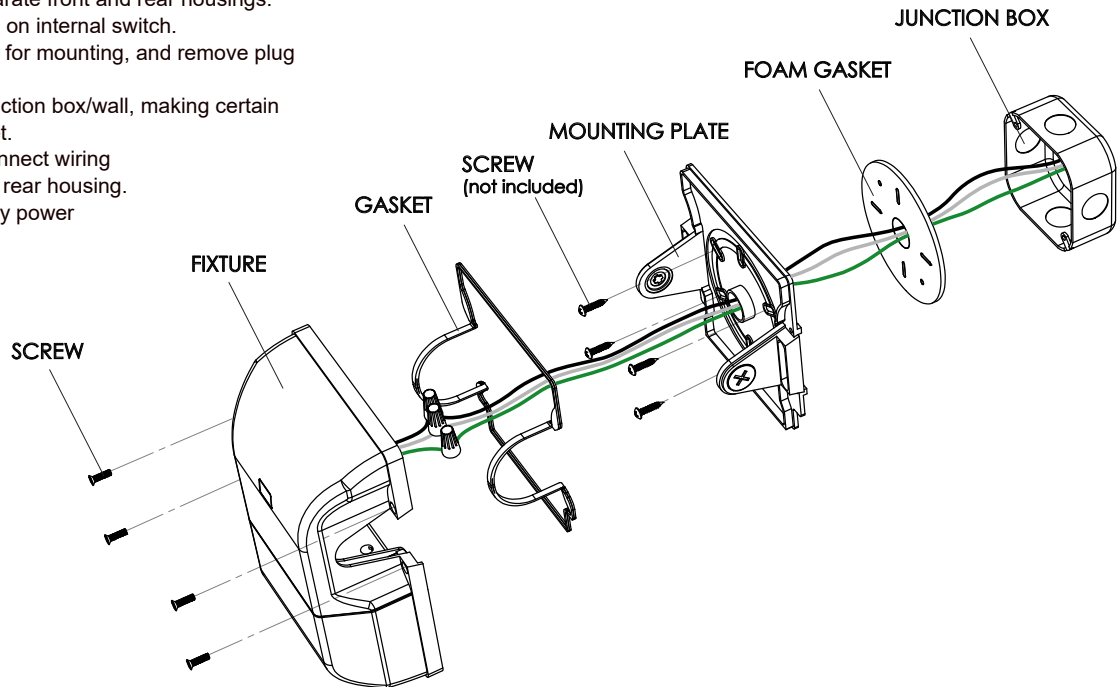


Important: Read all instructions prior to installation.

Field-Selectable CCT LED Wall Pack

Wall/Junction Box Installation

1. Remove screws and separate front and rear housings.
2. Select desired CCT value on internal switch.
3. Drill holes in rear housing for mounting, and remove plug for wiring.
4. Mount rear housing to junction box/wall, making certain to use the included gasket.
5. With supply power off, connect wiring.
6. Reattach front housing to rear housing.
7. Once secure, apply supply power



Conduit Installation

1. Remove screws and separate front and rear housing.
2. Select desired CCT value on internal switch.
3. Drill holes in rear housing and mount housing to surface.
Note: Sealant should be used around mounting points to avoid water intrusion.
4. With supply power off, connect wiring.
5. Remove plug(s) and attach conduit.
6. Reattach front housing to rear housing.
7. Once secure, apply supply power

