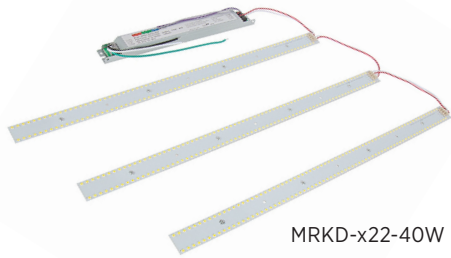


MRKD Series

LED Strip Light Retrofit Kit Specifications

Project _____

Date _____ Type _____



MRKD-x22-40W

Features

- 100-277 VAC
- 80+ CRI
- L70 rated 50,000 hour lifetime
- Built-in magnets for easy mounting
- Easy to install ballast bypass design

Construction

Light strips are manufactured with an aluminum housing featuring built-in neodymium magnets.

Application

These easily replace inefficient fluorescent tubes found in troffers, linear low bay lights, and lighted signs without the need for a new fixture. Common applications include warehouses, workshops, supermarkets, factories, gyms, general retail locations, offices, schools, hospitals, and other areas currently utilizing inefficient fluorescent tubes.

Warranty

Five (5) Year Warranty

Specifications

Model	MRKD-xK14-30W	MRKD-xK22-40W	MRKD-xK24-50W
Intensity ²	up to 3,700 lm	up to 4,300 lm	up to 5,600 lm
Operating Voltage	100-277 VAC		
Power Consumption	30 W	40 W	50 W
Current Draw	0.25 A @120 VAC	0.33 A @120 VAC	0.42 A @120 VAC
Efficacy	up to 123 lm/W	up to 108 lm/W	up to 112 lm/W
Color Temperature	3000K, 3500K, 4000K, or 5000K (as ordered)		
Beam Angle	160°		
CRI	80+		
Dimming	0-10 V		
IP Rating	IP20		
Ambient Operating Temperature	-4°-104° F (-20°-40° C)		
Product Weight	1.15 lb (0.52 kg)	1.05 lb (0.48 kg)	1.6 lb (0.73 kg)
Rated Life (L70)	50,000 hours		

Available Models¹

- | | |
|---|---|
| <input type="checkbox"/> MRKD-30K14-30W | <input type="checkbox"/> MRKD-40K22-40W |
| <input type="checkbox"/> MRKD-35K14-30W | <input type="checkbox"/> MRKD-50K22-40W |
| <input type="checkbox"/> MRKD-40K14-30W | <input type="checkbox"/> MRKD-30K24-50W |
| <input type="checkbox"/> MRKD-50K14-30W | <input type="checkbox"/> MRKD-35K24-50W |
| <input type="checkbox"/> MRKD-30K22-40W | <input type="checkbox"/> MRKD-40K24-50W |
| <input type="checkbox"/> MRKD-35K22-40W | <input type="checkbox"/> MRKD-50K24-50W |

Part Number Breakdown

Example: MRKD-40K22-40W

Family	Color Temperature	Size	Wattage
MRKD	30K [3000K]	14 [two 4 ft strips]	30W [30 W]
	35K [3500K]		22 [three 2 ft strips]
	40K [4000K]	24 [three 4 ft strips]	
	50K [5000K]		

Optional Accessories

- 5-15P power cord (part number POWERCORD)

Certifications and Compliances

These retrofit kits are ETL Classified in compliance with UL 1598C and are DLC listed.

ETL CLASSIFIED



Intertek



T 314.743.3067

F 314.972.6202

email: commercial-sales@superbrightleds.com

www.superbrightleds.com/cat/industrial-led-lighting/

¹Contact customer service if interested in models other than those listed.

²Intensity varies by CCT and is measured when installed as a retrofit, in fixture.

Rev V2 Date: 11/08/2019

Specifications are subject to change without notice.

Printed in the U.S.A.

MRKD Series

LED Strip Light Retrofit Kit Specifications

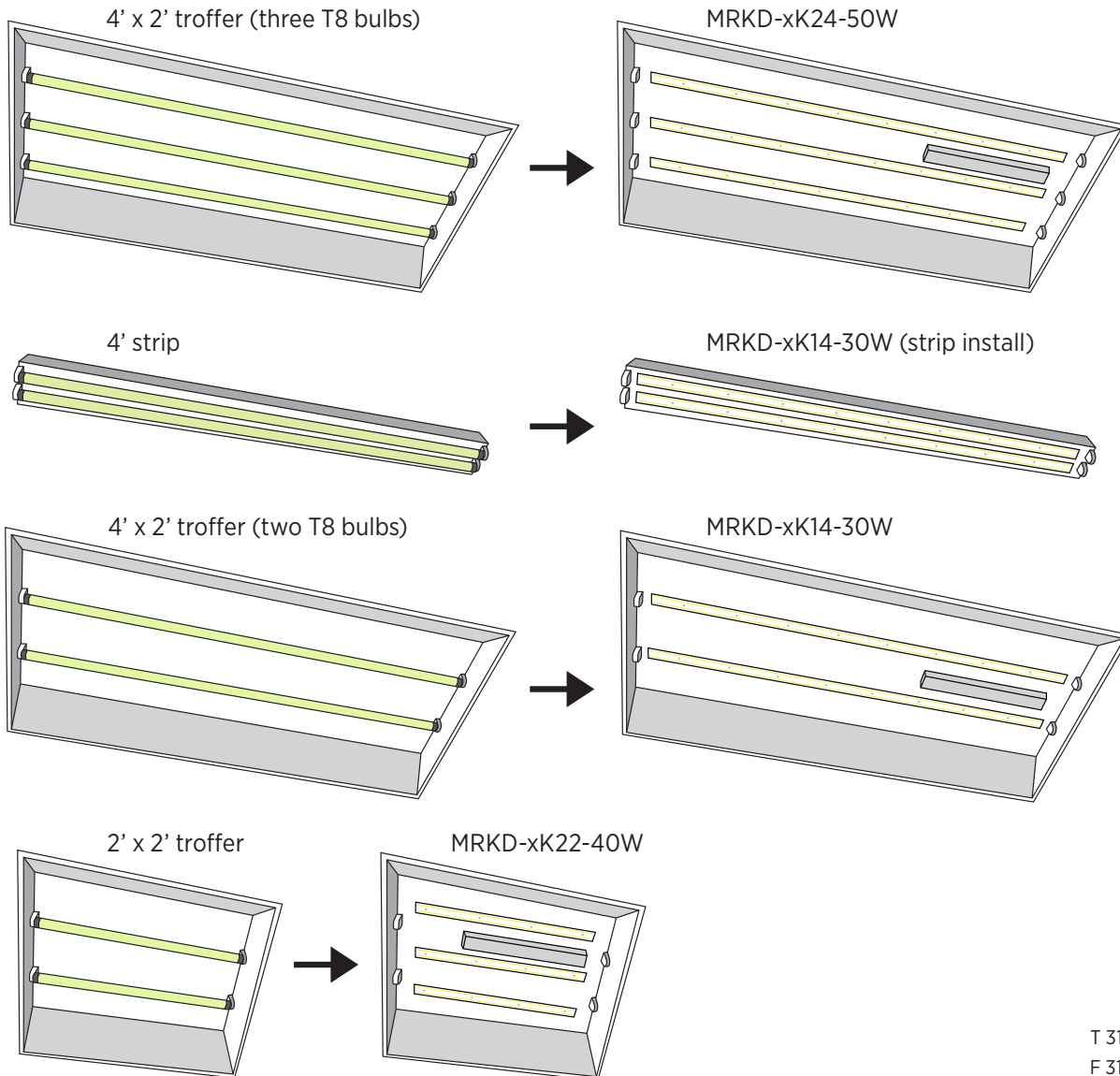
Output Equivalencies

MRKD-xK14-30W	two 32 W fluorescent T8 tubes / 4' x 1' troffer / 4' strip light
MRKD-xK22-40W	two 32 W fluorescent T8 tubes / 2' x 2' troffer
MRKD-xK24-50W	three 32 W fluorescent T8 tubes / 4' x 2' troffer

Typical Installations

An installer can simply remove the old fluorescent tubes, disconnect the existing ballast, connect the driver for the magnetic strips to power, and place the magnet side of the driver onto the fixture. Magnetic strips can then simply be placed in the fixture using built-in magnetic mounts and connected to driver to finish the installation.

This type of installation saves time and money, doesn't require the installer to know what kind of ballast or bulb type the original fixture uses, while also providing bright, efficient, high CRI lighting.

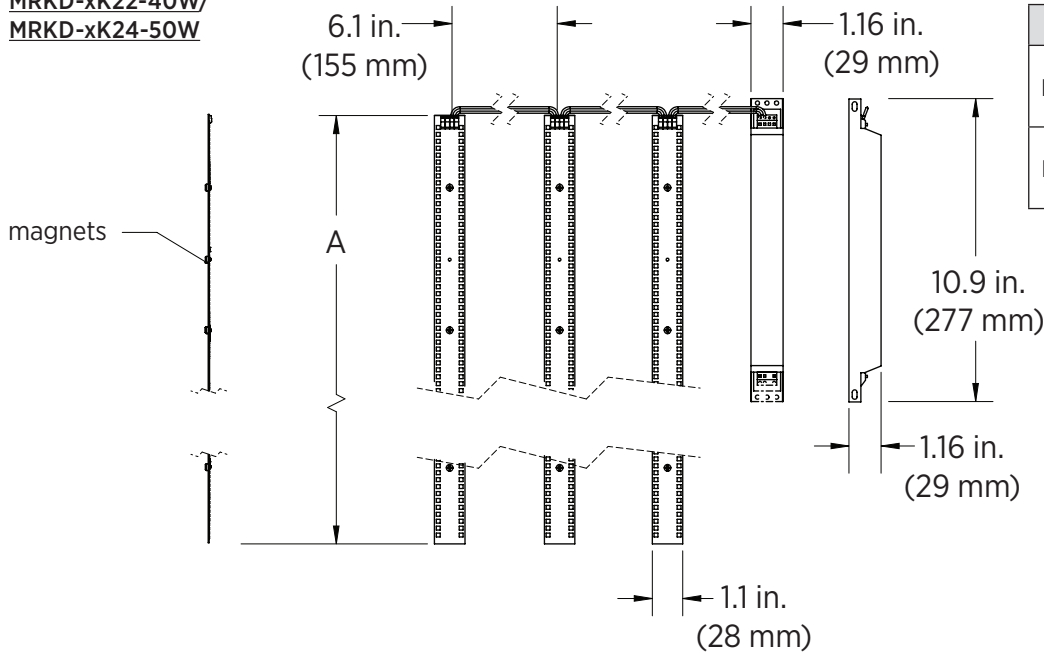


MRKD Series

LED Strip Light Retrofit Kit Specifications

Dimensional Drawings

**MRKD-xK22-40W/
MRKD-xK24-50W**



Model	Length (A)
MRKD-xK22-40W	20.9 in (0.53 m)
MRKD-xK24-50W	41.75 in (1.06 m)

MRKD-xK14-30W

