

MRKDH Series

LED Tube Light Retrofit Kit Specifications

Project _____

Date _____ Type _____



Features

- 100-277 VAC
- 80+ CRI
- L70 rated 50,000 hour lifetime
- Built-in magnets for easy mounting
- Easy to install ballast bypass design
- Built-in diffuser lens

Construction

Light tubes are manufactured with an aluminum housing, polycarbonate lens, and features built-in neodymium magnets.

Application

These easily replace inefficient fluorescent tubes found in troffers, linear low bay lights, and lighted signs without the need for a new fixture. Common applications include warehouses, workshops, supermarkets, factories, gyms, general retail locations, offices, schools, hospitals, and other areas currently utilizing inefficient fluorescent tubes.

Warranty

Five (5) Year Warranty

Specifications

Model MRKDH	2-40K36W-3S	2-40K40W-4S	4-40K36W-2S	4-40K48W-3S	4-40K48W-4S
Intensity ³	4,100 lm	4,900 lm	4,400 lm	5,350 lm	5,550 lm
Operating Voltage	100-277 VAC				
Power Consumption	36 W	40 W	36 W	48 W	48 W
Current Draw	0.3 A @120 VAC	0.33 A @120 VAC	0.3 A @120 VAC	0.4 A @120 VAC	0.4 A @120 VAC
Efficacy	114 lm/W	123 lm/W	122 lm/W	111 lm/W	116 lm/W
Color Temperature	4000K				
Beam Angle	100°				
CRI	80+				
Dimming	1-10 V				
IP Rating	IP20				
Ambient Operating Temperature	-4°-104° F (-20°-40° C)				
Rated Life (L70)	50,000 hours				

Available Models¹

4-foot

- MRKDH4-40K36W-2S
- MRKDH4-40K48W-3S
- MRKDH4-40K48W-4S

2-foot

- MRKDH2-40K36W-3S
- MRKDH2-40K40W-4S

Part Number Breakdown

Example: MRKDH4-40K48W-3S

Family	Tube Length ²	Color Temperature	Wattage ²	Tube Quantity ²
MRKDH	2 [2 ft length]	40K [4000K]	36W [36 W]	2S [2 tubes]
			40W [40 W]	3S [3 tubes]
	4 [4 ft length]		48W [48 W]	4S [4 tubes]

Optional Accessories

- 5-15P power cord (part number POWERCORD)

Certifications and Compliances

These retrofit kits are ETL Classified in compliance with UL 1598C and are DLC Standard listed.

ETL CLASSIFIED



T 314.743.3067

F 314.972.6202

email: commercial-sales@superbrightleds.com

www.superbrightleds.com/cat/industrial-led-lighting/

¹Contact customer service if interested in models other than those listed.

²not all sizes are available in all wattages or tube quantities

³Intensity is measured when installed as a retrofit, in fixture.

MRKDH Series

LED Tube Light Retrofit Kit Specifications

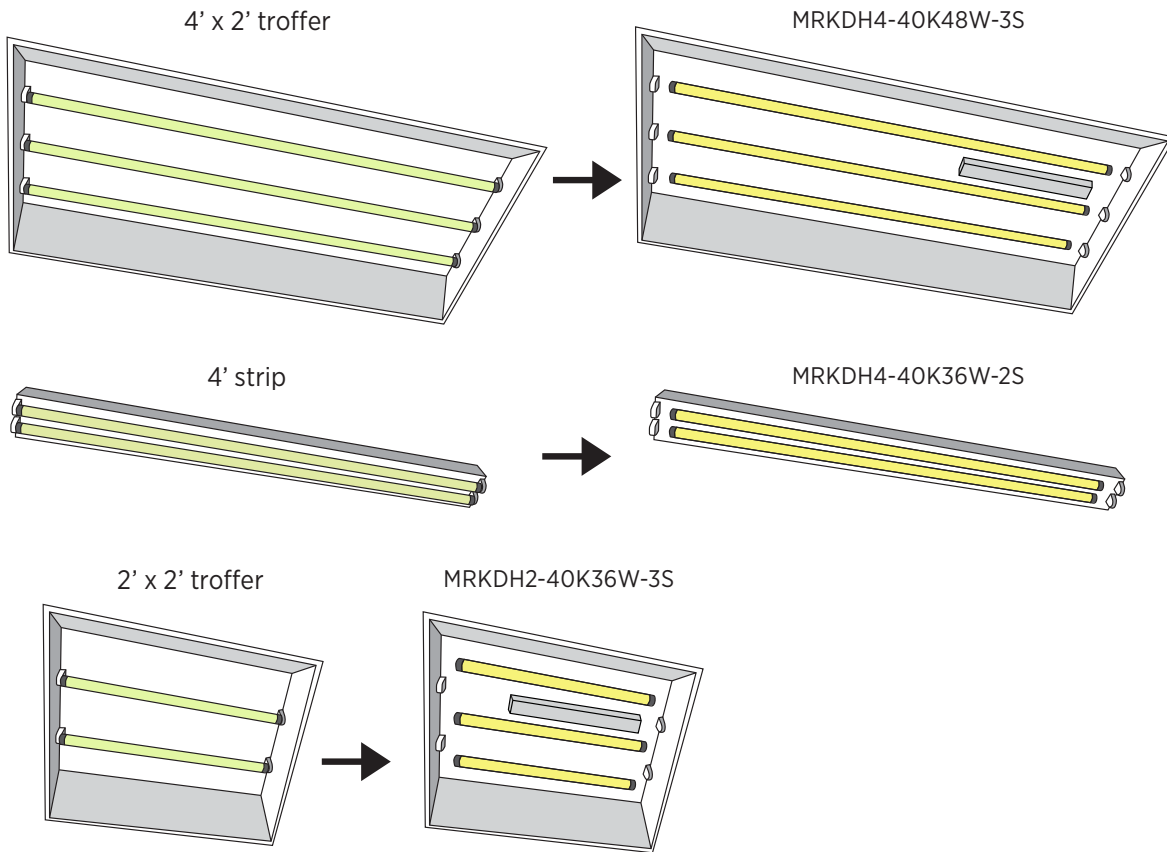
Output Equivalencies

MRKDH2-40K36W-3S	two or three 32 W fluorescent T8 tubes / 2' x 2' troffer
MRKDH2-40K40W-4S	four 32 W fluorescent T8 tubes / 2' x 2' troffer
MRKDH4-40K36W-2S	two 32 W fluorescent T8 tubes / 4' x 1' troffer / 4' strip light
MRKDH4-40K48W-3S	three 32 W fluorescent T8 tubes / 4' x 2' troffer
MRKDH4-40K48W-4S	four 32 W fluorescent T8 tubes / 4' x 2' troffer

Typical Installations

An installer can simply remove the old fluorescent tubes, disconnect the existing ballast, connect the driver for the magnetic tubes to power, and place the magnet side of the driver onto the fixture. Magnetic tubes can then simply be placed in the fixture using built-in magnetic mounts and connected to driver to finish the installation.

This type of installation saves time and money, doesn't require the installer to know what kind of ballast or bulb type the original fixture uses, while also providing bright, efficient, high CRI lighting.



MRKDH Series

LED Tube Light Retrofit Kit Specifications

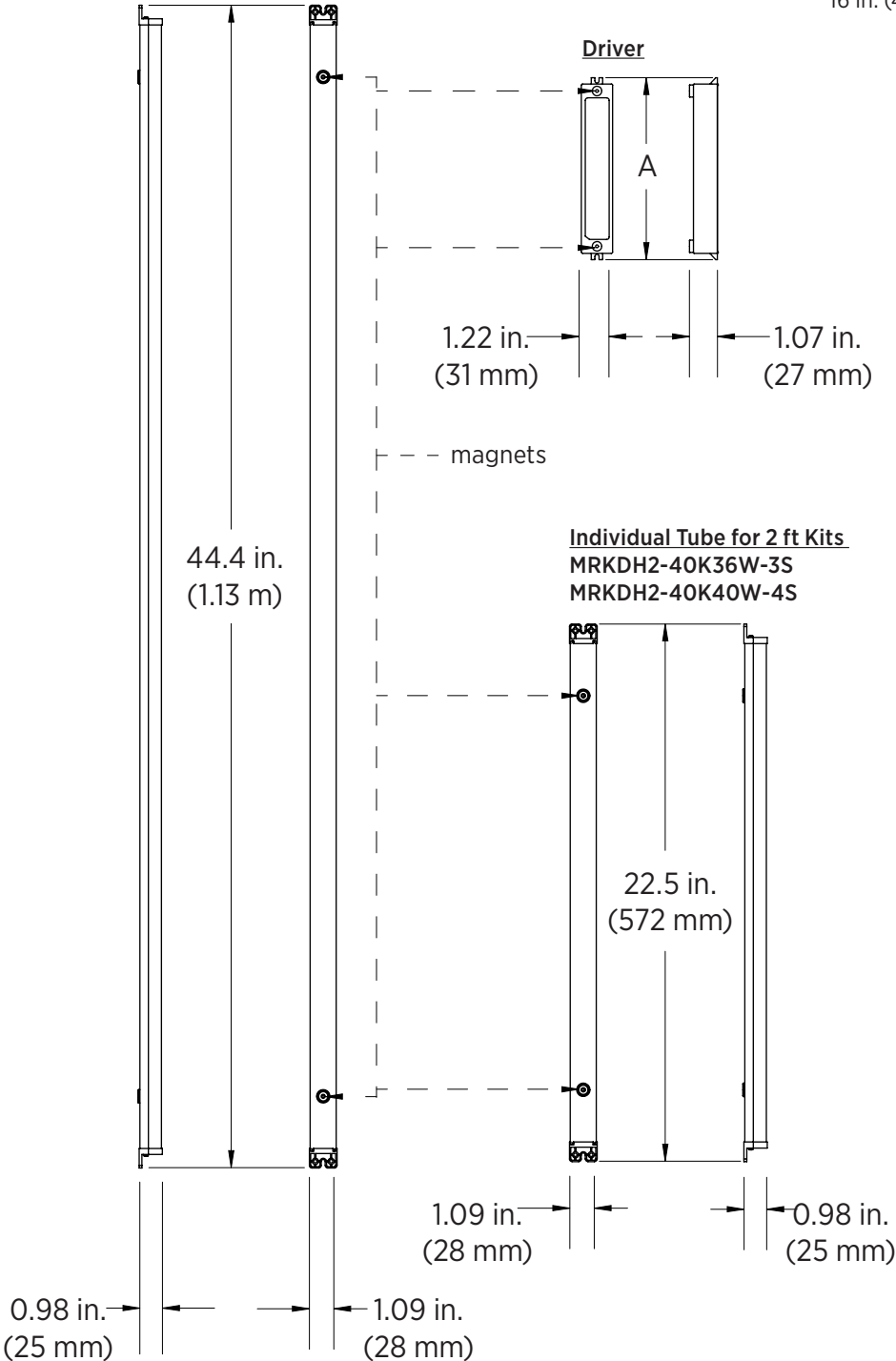
Dimensional Drawings

Individual Tube for 4 ft Kits

- MRKDH4-40K36W-2S
- MRKDH4-40K48W-3S
- MRKDH4-40K48W-4S

Wiring

The wires running from the light tube to the junction connector are 10.5 in. (267 mm) in length. The wires running from the driver to the junction connector are 16 in. (406 mm) in length.



Model	Length (A)
MRKDH2-40K36W-3S	7 in (178 mm)
MRKDH2-40K40W-4S	
MRKDH4-40K36W-2S	
MRKDH4-40K48W-3S	9.7 in (247 mm)
MRKDH4-40K48W-4S4	

