

Important: Read all instructions prior to installation.

Mini RGB Amplifier with Power Input

Specifications

- Volts: 5~24 VDC
- Channels: 3
- Connection Type: Pigtail
- Amps per channel: 4 amps/ch peak
- Amps per channel: 2 amps/ch constant
- Standards and Certs: RoHS Compliant

Photograph

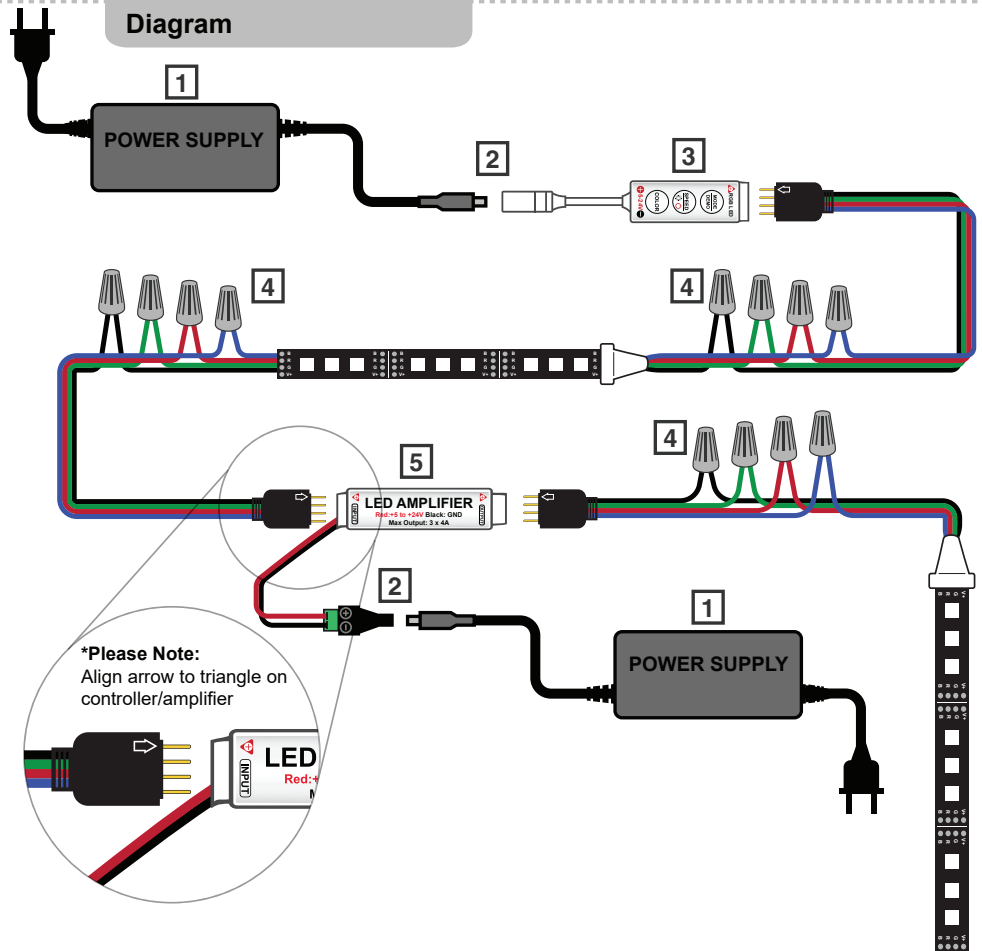


Cautions

Connect strips prior to applying power to the controller. Be sure to mount controller, amplifier and power supplies in dry locations only. The LED strips are rated for wet locations.

WARNING: Mini Controller, Amplifier, and Power Supply are not waterproof.

Diagram



Installation

Installation

1. Power Supply Wiring

Power supply needed for operation.

2. Auxiliary Power Supply Connections

Power supply plugs into RGB controller and amplifier using a CPS connector or adapter.

3. LED Controller Wiring

Match arrow on 4-pin connector with positive triangle symbol on LED controller. Push 4-pin plug for a secure connection.

4. RGB Strip Wiring with Wire Nuts

RGB strips are connected to controller using wire nuts. Blue wire from controller connects to blue wire from strip. Red wire from controller connects to red wire from strip. Green wire from controller connects to green wire from strip. Black wire from controller connects to black wire from strip.

5. Amplifier Wiring

The amplifier has an RGB input and an RGB output. Power amplifier via CPS adapter to power supply. Match arrows on 4-pin connectors with positive triangle symbols on amplifier. This insures proper polarity.

