

# Underwater LED Light - 9 Watt

Marine Light Stainless Steel Series

Project Name \_\_\_\_\_

Date \_\_\_\_\_

Type \_\_\_\_\_

These underwater LED lights function as transom lights, pool lights, pond lights, fountain lights, and are also great for underwater dock lighting. The vibration- and shock-resistant LED light has a 316 marine-grade stainless steel housing with a shatterproof polycarbonate lens. This underwater light emits up to 405 lumens of cool white or blue illumination.

## Specifications

Specification	MLSS-x9W	
	MLSS-W9W	MLSS-B9W
Intensity	405 lm	160 lm
Power Consumption	6.1 W	6 W
Current Draw	510 mA	500 mA
Color Temperature / Wavelength	6200 K (cool white)	455 nm (blue)
Operating Voltage	12 VDC	
Beam Angle	30 degree	
IP Rating	Waterproof IP68	
Number of LEDs	3	
Operating Temperature	-22-122 °F (-30-50 °C)	
Comparable Wattage	40-45 W	
LED Lifetime	50,000 hours	
Warranty	3 yr	

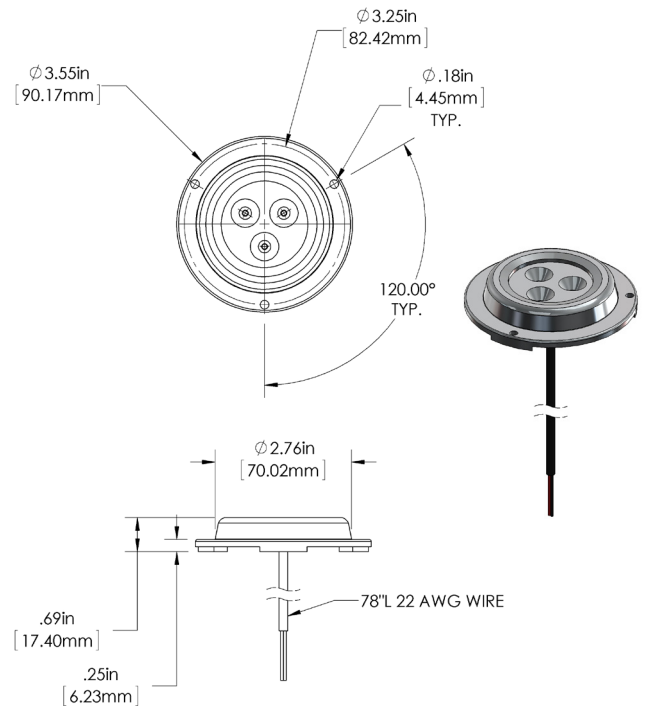
## On Photo



MLSS-x9W



## Dimensional Drawing



## Ordering Information

LED Product	Color Temperature / Wattage
MLSS - Marine Light Stainless Steel	W9W - Cool White, 9 Watts B9W - Blue, 9 Watts



Rev Date: V1 07/26/2016

US: <https://www.superbrightleds.com/cat/underwater-lighting/>

commercial-sales@superbrightleds.com



T 314.743.3067  
F 314.972.6202