

Important: Read all instructions prior to installation.

Single Color Push Button LED Controller / Dimmer

Parts Included

1 - Mini Single Color Push Button Controller (MLD-5A)

Description

Universal single color mini LED dimmer can dim any 5~24V DC LED product from 10%-100% using Pulse Width Modulation (PWM) circuit push button control from stepped intensity adjustment. Controls 9 dynamic flashing modes with 10 adjustable speeds. Maximum load is 5 Amps - holding Speed/Bright button turns LEDs ON/OFF. Retains last setting when power is cycled. Attached 4" power input and controller output wire leads. Suitable for vehicles.

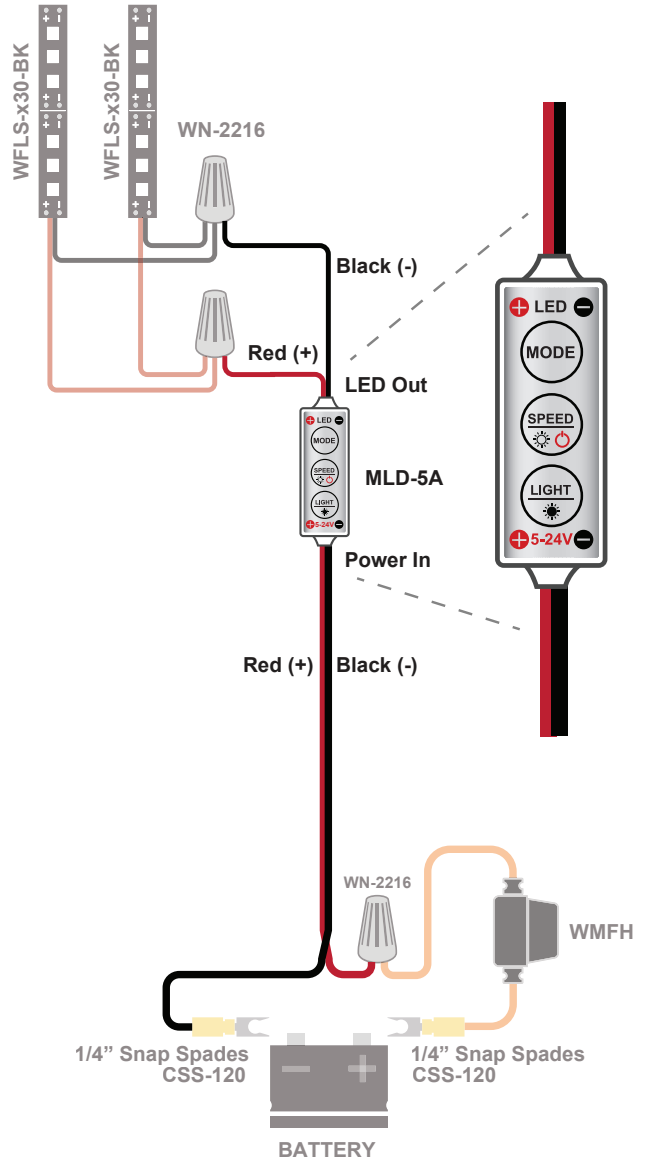
Specifications

MLD-5A	
Operating Voltage	5~24 VDC
Rated Current	5 Amps
Connection Type	CPS Female/LC2 Male
Control	Push Buttons
Channels	1 Channel
Intensity Levels	10 Levels
Dynamic Modes	9 Modes
Dynamic Mode Speeds	10 Levels
Operating Temperature	-22°F ~ 158°F (-30°C ~ 70°C)
Certifications	RoHS
Warranty	2 Years

Directions

Press "Light" button to activate static mode. Press "Speed/Bright" button to incrementally dim 10 steps and return to full brightness. "Mode" button enters dynamic flashing patterns. Press "Mode" to cycle through the 9 different patterns. Pressing "Speed/Bright" button will incrementally decrease speed 10 steps and return to fastest speed. Hold "Speed/Bright" button to turn LEDs ON/OFF.

Diagram



Safety

- Observe Controller polarity, reversing Controller polarity may damage Controller
- Power Controller only from 5~24 VDC source