

Important: Read all instructions prior to installation.

RGB LED Mini Controller with CPS Connector - Dynamic Color-Changing Modes

Parts Included

1 - Mini RGB Push Button Controller w/ CPS connector (MCB-RGB4-CPS)

Description

Universal Red/Green/Blue (RGB) LED Mini Controller & Dimmer with on board buttons can control any 5~24VDC RGB LED products. 20 static color modes with dimming controls and 19 dynamic color-changing modes with Speed controls. Maximum load is 4 Amps per channel - 12 Amps total. 4-pin RGB pigtail connector included. Suitable for vehicles.

Specifications

MCB-RGB4-CPS	
Operating Voltage	5~24 VDC
Rated Current	4 Amps/CH
Connection Type	CPS connector
Control	Push Buttons
Channels	3 Channel RGB
Modes	39 total (20 static and 19 dynamic)
Operating Temperature	-13°F ~ 140°F (-25°C ~ 60°C)
Warranty	2 Years

Directions

Press "Mode/Demo" button to activate Dynamic Mode and to cycle through 19 Dynamic effects.

Press and hold "Mode/Demo" button to enter Demo Mode which will automatically cycle through 9 dynamic modes with each pattern being repeated three times.

Press "Color" button to enter Static Mode and to cycle through 20 static colors.

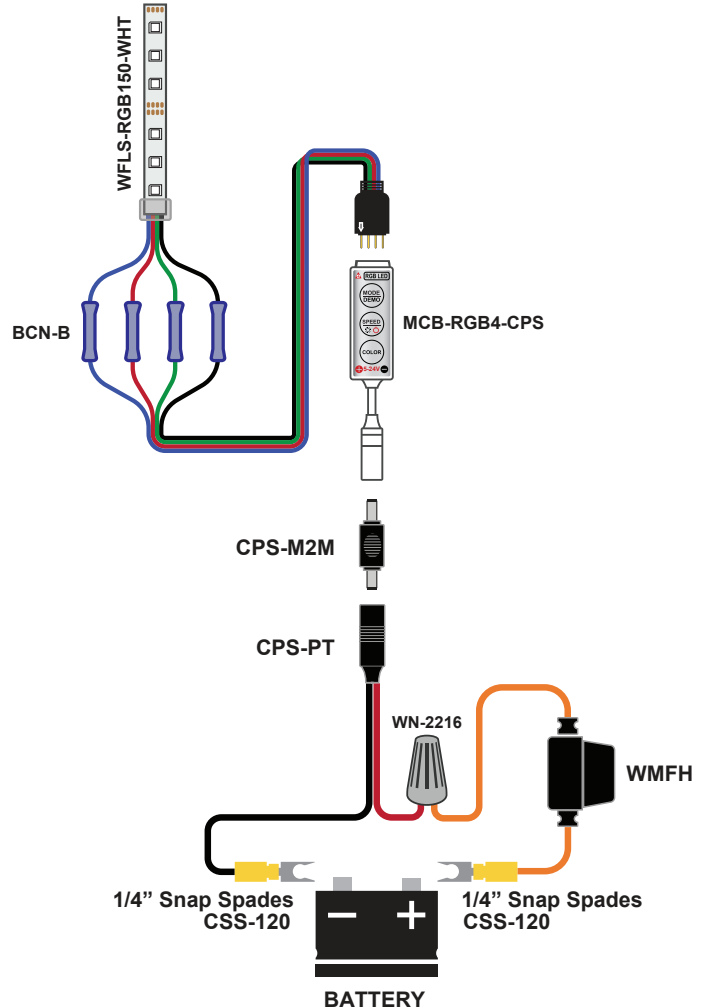
Press "Speed" button quickly in Dynamic Mode to adjust the speed. (10 speeds available)

Press "Speed" button quickly in Static Mode to adjust brightness. (5 brightness levels available)

Press "Speed" button and hold for about 1 second to switch controller off.

On wake-up, controller will resume using settings in use prior to power off.

Diagram



Safety

- Observe Controller polarity, reversing Controller polarity may damage Controller
- Power Controller only from 5~24 VDC source