

MASL Series

LED Security Light Specifications

Project _____

Date _____ Type _____



MASL-40K20W-FBR1

Features

- 100–277 VAC
- 80+ CRI
- L70 rated 50,000 hour lifetime
- IP65 rated water resistance
- Built-in photocell sensor

Construction

Manufactured with a durable polycarbonate housing and lens.

Application

Easily replaces inefficient metal-halide fixtures such as those found in exterior walls, yards, outdoor entrances, security lighting, porches and awnings, outdoor paths, drive-ways, perimeter lighting. These are also a great solution for entryways and other areas where good lighting is essential for security.

Output Equivalencies

WPS-xK40-LBR	175 W metal-halide
WPS-xK60-LBR	250 W metal-halide

Warranty

Five (5) Year Warranty

Certifications and Compliances

These lights are ETL Listed in compliance with UL 1598.



Available Models¹

2-head configuration

- MASL-40K20W-FBR1
- MASL-40K20W-FWH1

3-head configuration

- MASL-40K30W-FBR1
- MASL-40K30W-FWH1

Part Number Breakdown

Example: MASL-40K20W-FBR1

Family	Color Temperature	Wattage	Lens	Finish
MASL	40K [4000K]	20W [20 W]	F [frosted]	BR1 [brown] or WH1 [white]
		30W [30 W]		

Specifications

Model	MASL-40K20W-Fx1	MASL-40K30W-Fx1
Intensity	1,800 lm	2,700 lm
Operating Voltage	100–277 VAC	
Power Consumption	20 W	30 W
Current Draw	167 mA @120 VAC	250 mA @120 VAC
Efficacy	≥90 lm/W	≥90 lm/W
Color Temperature	4000K	
Beam Angle	100° (per adjustable head)	
CRI	80+	
Dimming	no	
IP Rating	IP65	
Ambient Operating Temperature	-4°–104° F (-20°–40° C)	
Product Weight	1.05 lb (0.48 kg)	1.4 lb (0.64 kg)
Rated Life (L70)	50,000 hours	
Adjustable Settings		
Setting Name	Setting Value	
Sens	adjusts sensor detection range from 3.3 ft (1 m) to 26.2 ft (8 m)	
Time	adjusts standby time from 2 seconds to 10 minutes	
Lux	adjusts the ambient light threshold to turn on the light from 300 lx to 10 lx	

¹Contact customer service if interested in options other than those listed.

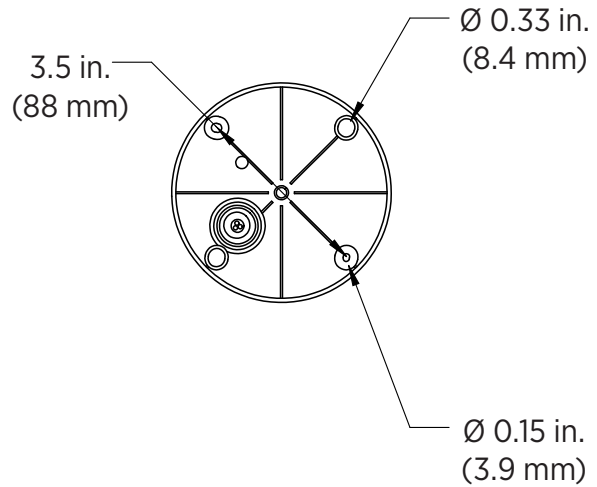
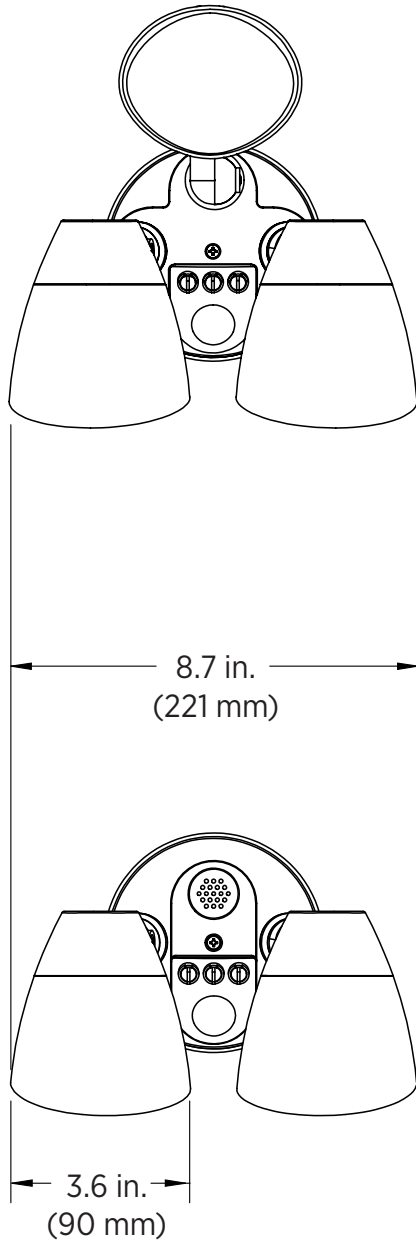


MASL Series

LED Security Light Specifications

Dimensional Drawing

Light heads are adjustable, so depending on angle, overall dimensions of depth, width, and height will vary.



2-head light is shown below, but all measurements shown are identical to those on the 3-head model

