

Important: Read all instructions prior to installation.

Motion Activated Security Light

Safety and Notes

- Product should be installed by a certified electrician in accordance with applicable national, state, and local building and electrical codes.
- To reduce risk of electric shock, ensure main power source and circuit breakers are switched off before performing any installation or wiring procedures.
- Avoid looking directly into lamp when illuminated.
- Ensure all mounts are securely attached and will support weight of fixture. Failure to properly support fixture may result in damage or injury, for which the manufacturer does not assume responsibility.



MASL-NW30-TWT

Specifications

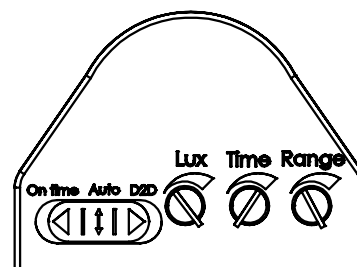
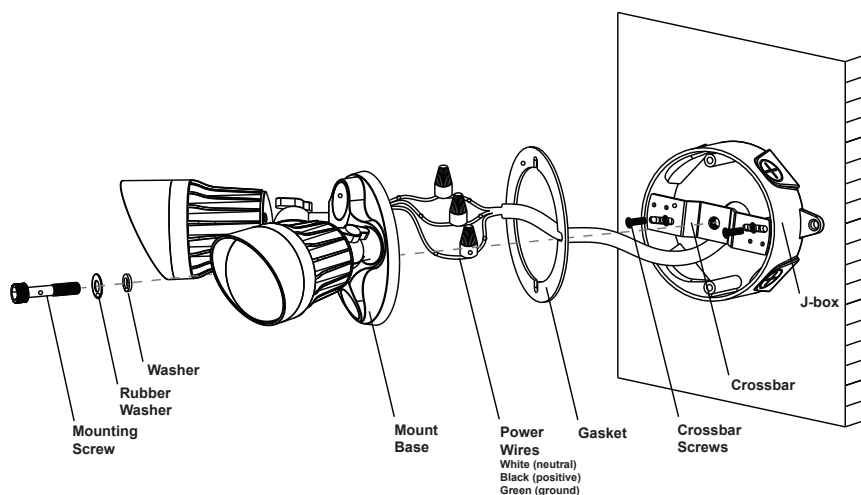
Model	MASL-NW10-SBR MASL-NW20-DBR MASL-NW30-TBR	MASL-NW20-DWT MASL-WW30-TBR MASL-NW30-TWT
Operating Voltage	90–135 VAC	100–277 VAC
Watts	10 W per lamp	
IP Rating	IP65	
Operating Ambient Temperature Range	-40°–122° F (-40°–50° C)	
Warranty	5-Year Warranty	

Required Tools

- 1 - Screwdriver
- 1 - Tube Silicone Caulk

Installation

1. Remove existing fixture if retrofitting.
2. Install crossbar to junction box using screws provided with junction box and tighten.
3. Insert wiring from light through center hole in Foam Gasket.
4. Connect yellow/green (ground) wire from light to grounding screw inside junction box. Connect white (neutral) wire from the supply cable to white wire of light and secure with wire nut. Connect black (line) wire from supply cable to black wire of light and secure with wire nut.
5. Insert wiring into junction box in a manner that allows a clear path for mounting screw to pass unobstructed to crossbar.
6. Align foam gasket and light to junction box and crossbar, removing appropriate knockouts on foam gasket. Mount the light so motion sensor is at the bottom.
7. Apply light coat of silicone caulk to outer edge of foam gasket, sealing light to junction box. Leave slight gap in silicone at the bottom of the mounting flange.
8. While keeping foam gasket and light aligned to junction box, insert and tighten mounting screw.
9. Install mounting screw cover by pressing onto head of mounting screw.
10. Restore power to circuit from electrical panel.
11. Adjust sensor as desired, then loosen adjustment knobs and aim light heads to desired position. Rotate glare shields to block undesired light output.



Sensor Operation

Switch

- On-Time setting allows the light to stay on continuously.
- Auto setting uses lux, time, and range adjustments to illuminate light when motion is detected.
- D2D setting uses lux adjustment to automatically illuminate light when ambient light reaches a set threshold. When lux threshold is reached at dawn, light will turn off after period determined by time setting.

Adjustments

- Lux adjusts ambient light threshold at which light activates.
- Time adjusts amount of delay before light turns off after being activated.
- Range adjusts detection distance of sensor.

