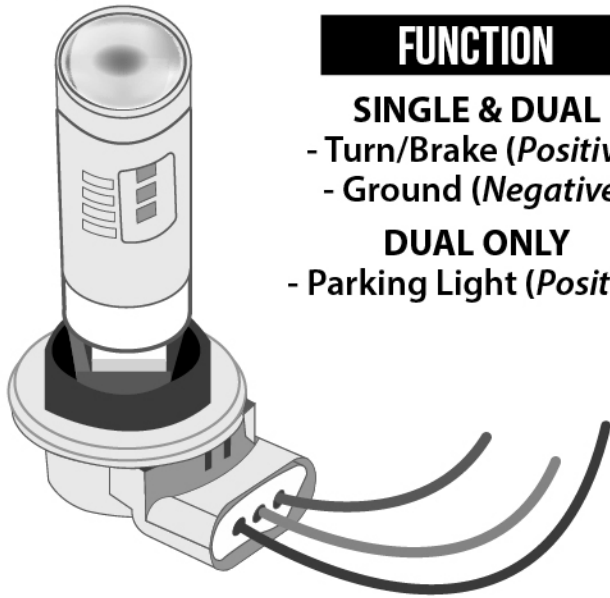


# LOAD RESISTOR INSTALLATION INSTRUCTIONS

1



## FUNCTION

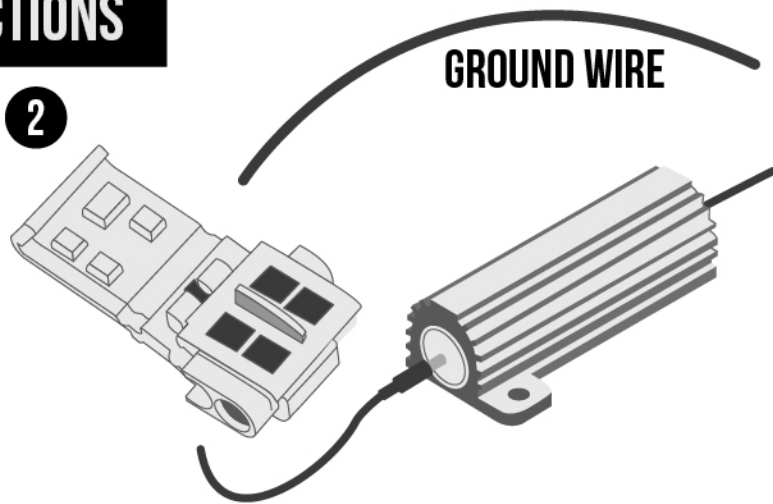
### SINGLE & DUAL

- Turn/Brake (*Positive*)
- Ground (*Negative*)

### DUAL ONLY

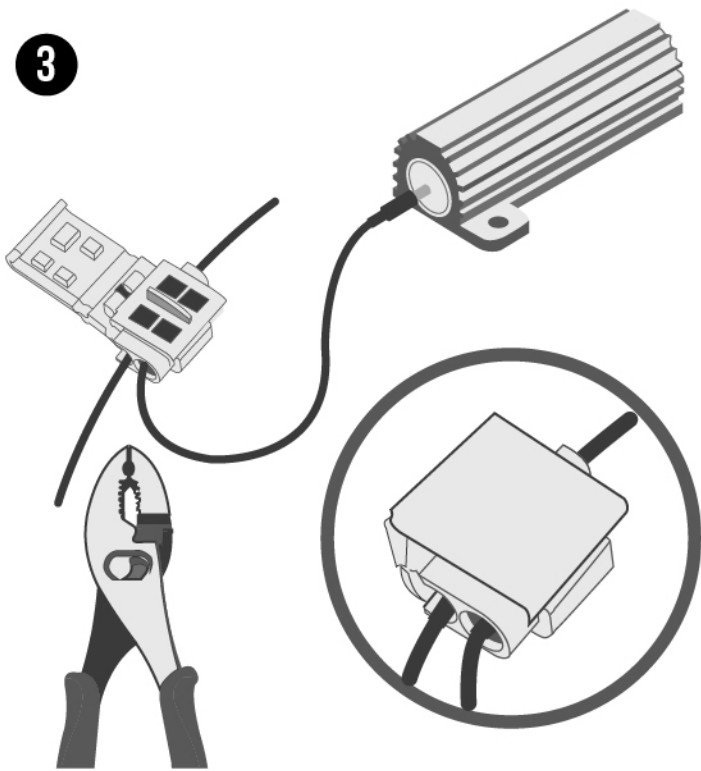
- Parking Light (*Positive*)

2



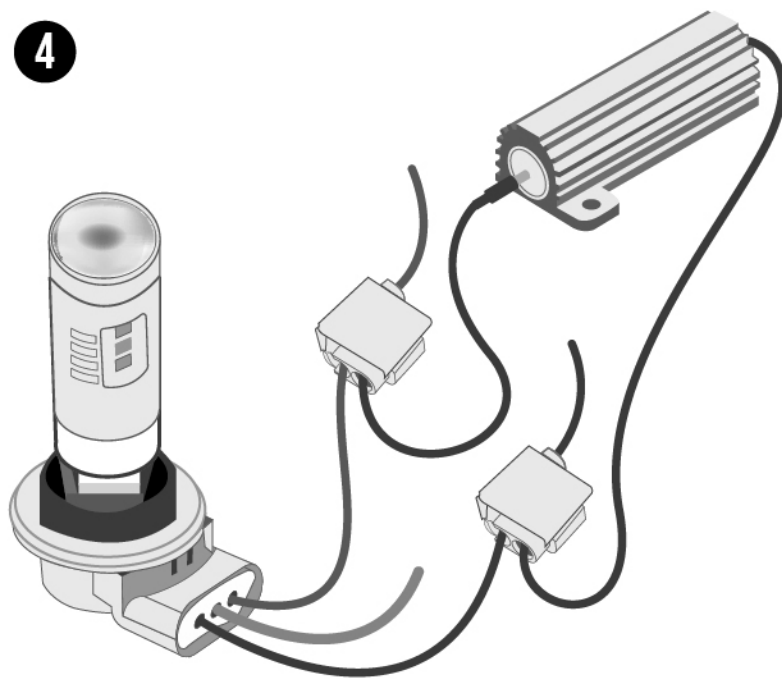
Locate your turn signal socket and identify your turn/brake wire and your ground wire using a voltmeter. With the vehicle off, insert ground wire into the through (run) location on the terminal splice tap. **DO NOT CUT YOUR VEHICLE'S WIRE.**

3



Insert one end of the resistor's wiring into the wire end (tap) location. Use a pair of pliers to push the metal insert into both wires. **This does not cut the wires.** Secure the splice cover back over the terminal splice tap.

4



Repeat steps 2 and 3 for the turn/brake wire using the other end of the resistor's wiring. Mount the resistor away from painted surfaces, plastic, or other components that may be damaged by the heat generated by the resistor.

**WARNING: LOAD RESISTORS HEAT UP LIKE A LIGHTBULB - MUST BE INSTALLED TO MAKE NO CONTACT WITH PAINT OR PLASTIC**

