



# LVT Series

Low-Voltage Transformer Specifications

Project \_\_\_\_\_

Date \_\_\_\_\_ Type \_\_\_\_\_



LVT--150W-B-OS-211

### Available Models<sup>2</sup>

- LVT-075W-A-HS-111
- LVT-150W-B-OS-211
- LVT-300W-B-OS-311
- LVT-600W-B-OS-412

### Part Number Breakdown

Example: LVT-150W-B-OS-211



Family	Output Wattage	Output Voltage	Access Door	Case Material	Case Size	Electrical Plug	Common Circuit Quantity
LVT	075W [75 W]	A [12/15 VAC]	H [slide-off access door]	S [stainless steel]	1 [170x110x110 mm]	1 [straight 5-15P]	1 [1 common] or 2 [2 commons]
	150W [150 W]				2 [290x140x135 mm]		
	300W [300 W]	B [12/13/14/15 VAC]	3 [320x150x150 mm]				
	600W [600 W]		4 [365x170x170 mm]				

### Features

- 120 VAC input
- 12-15 VAC output<sup>2</sup>
- Optional timers (150-600 W only, 75 W has built-in mechanical timer only) and dusk to dawn photocell sensor available
- Stainless steel housing

### Optional Accessories

- JL-104A (dusk-to-dawn photocell sensor)
- BND-60/SU92 (digital timer, 150-600 W only)
- BND-60/U92 (mechanical timer, 150-600 W only)

### Notes

### Application

Low-voltage transformers are an excellent solution powering and controlling low-voltage LED landscape lighting such as path lights and small area lights.

### Warranty

Two (2) year warranty



### Certifications and Compliances

LVT power supplies are ETL Listed in compliance with UL 1838.

<sup>1</sup>Contact customer service if interested in options other than those listed.

<sup>2</sup>75 W version has 12 and 15 VAC output options. 150-600 W versions have 12, 13, 14, and 15 VAC output options.

T 866.590.3533

F 314.972.6202

email: commercial-sales@superbrightleds.com

www.diode-drive.com

www.superbrightleds.com/cat/power-supplies

Rev V1 Date: 11/11/2019

Specifications are subject to change without notice.

Printed in the U.S.A.

# LVT Series

## Low-Voltage Transformer Specifications

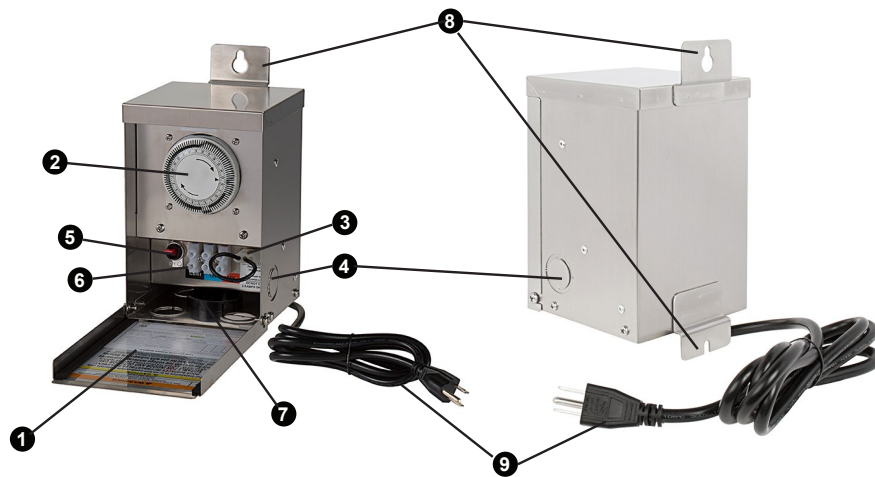
### Specifications

Model	LVT-075W-A-HS-111	LVT-150W-B-OS-211	LVT-300W-B-OS-311	LVT-600W-B-OS-412
Input Voltage	120 VAC			
Input Connection	5-15P			
Max. Input Amperage	0.625 A	1.25 A	2.5 A	5 A
Output Voltage	12 or 15 VAC	12, 13, 14, or 15 VAC		
Max. Output Wattage	75 W	150 W	300 W	600 W
Max. Output Amperage	6.25 A	12.5 A	25 A	25 A (x2)
Dimming	none			
Ambient Operating Temperature	-4°-113° F (-20°-45° C)			
IP Rating	IP54			
Weight	6.9 lb (3.1 kg)	12.8 lb (5.8 kg)	16.75 lb (7.6 kg)	25.5 lb (11.6 kg)

### Features

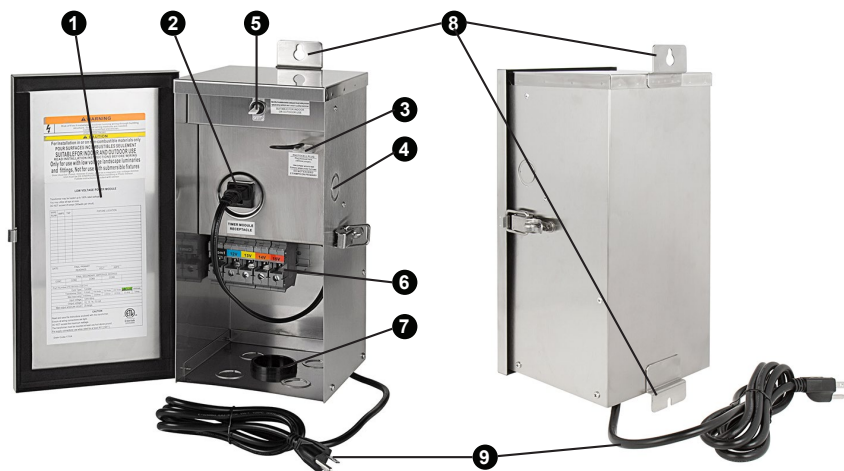
#### 75 W model

1. Operating Record, Warnings, and Specifications
2. Mechanical Timer
3. Photocell Jumper Wire
4. Photocell Knockout
5. On/Off Switch and Circuit Breaker Reset
6. Terminal Block
7. Conduit Cover
8. Mounting Tab
9. Power Cord



#### 150-600 W models

1. Operating Record, Warnings, and Specifications
2. Timer Plug
3. Photocell Jumper Wire
4. Photocell Knockout
5. On/Off Switch and Circuit Breaker Reset
6. Terminal Block
7. Conduit Cover
8. Mounting Tab
9. Power Cord



T 866.590.3533

F 314.972.6202

email: [commercial-sales@superbrightleds.com](mailto:commercial-sales@superbrightleds.com)

[www.diode-drive.com](http://www.diode-drive.com)

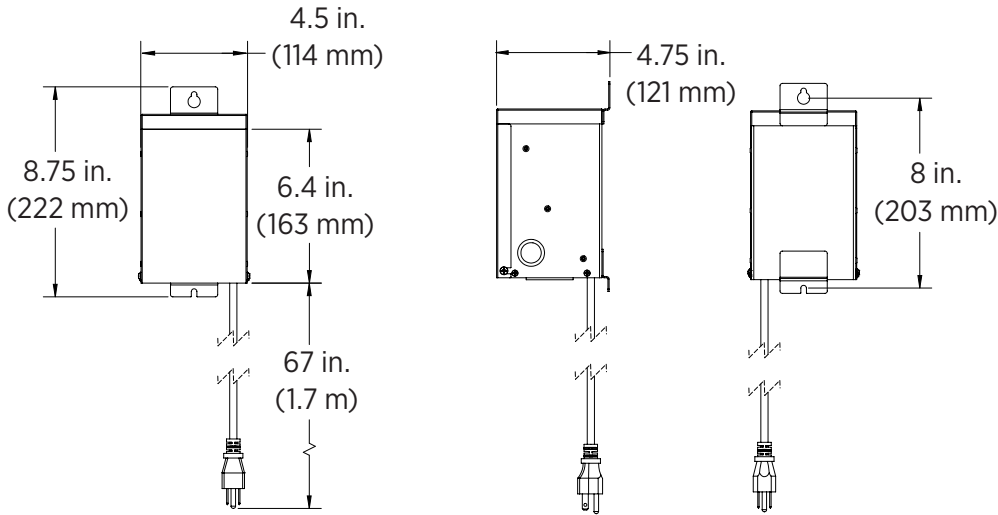
[www.superbrightleds.com/cat/power-supplies](http://www.superbrightleds.com/cat/power-supplies)

# LVT Series

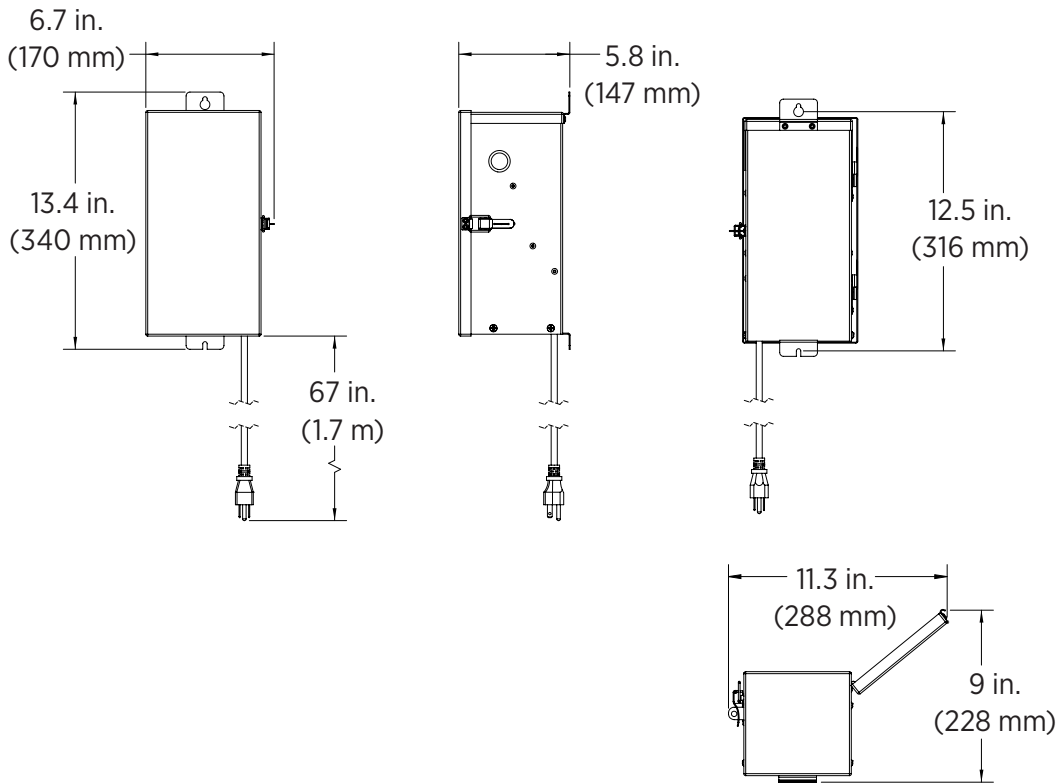
## Low-Voltage Transformer Specifications

### Dimensional Drawings

**LVT-075W-A-HS-111**



**LVT-150W-B-OS-211**



T 866.590.3533

F 314.972.6202

email: [commercial-sales@superbrightleds.com](mailto:commercial-sales@superbrightleds.com)

[www.diodedrive.com](http://www.diodedrive.com)

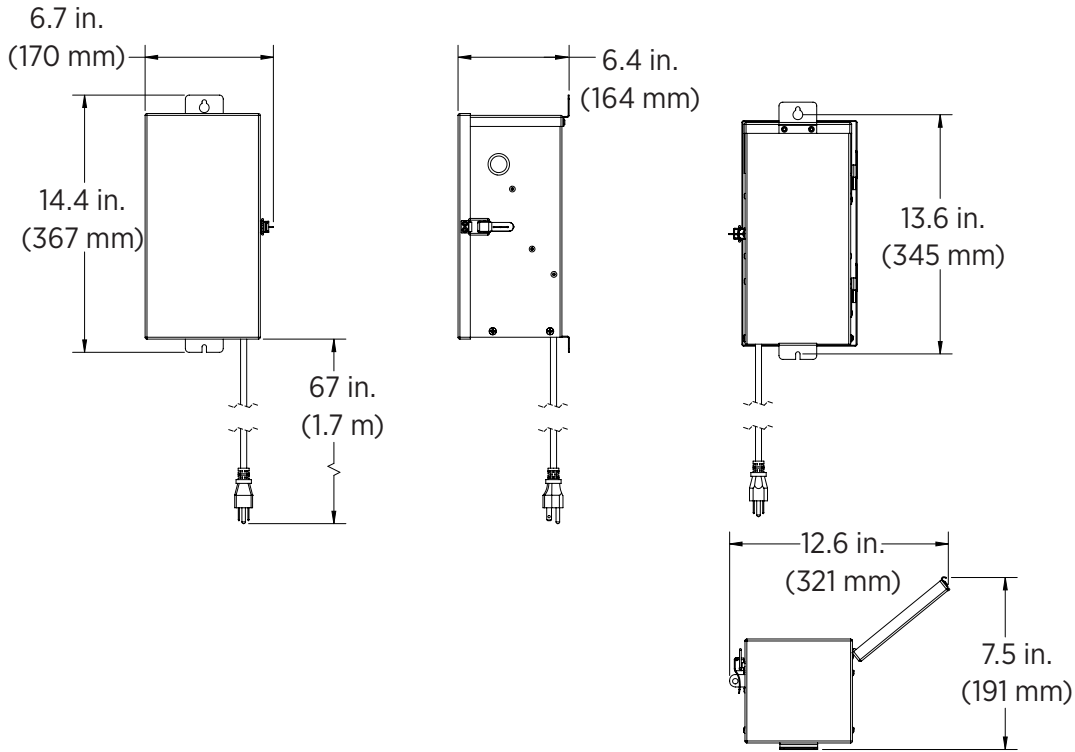
[www.superbrightleds.com/cat/power-supplies](http://www.superbrightleds.com/cat/power-supplies)

# LVT Series

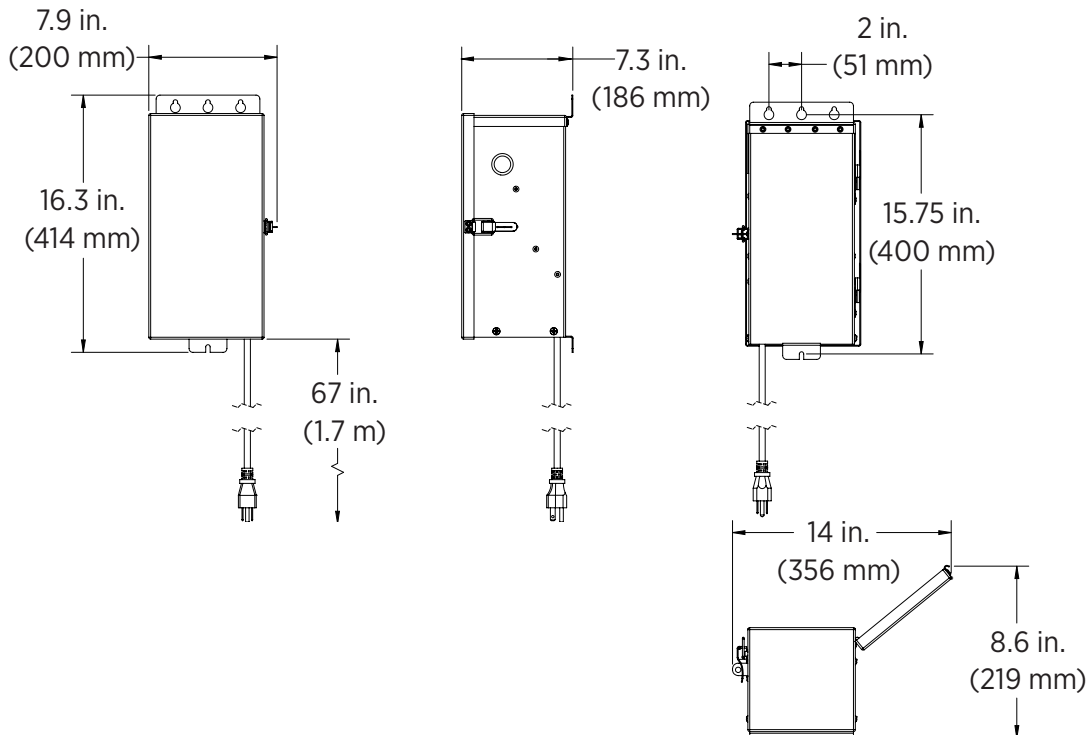
Low-Voltage Transformer Specifications

## Dimensional Drawings (cont.)

### LVT-300W-B-OS-311



### LVT-600W-B-OS-412



T 866.590.3533

F 314.972.6202

email: [commercial-sales@superbrightleds.com](mailto:commercial-sales@superbrightleds.com)

[www.diodedrive.com](http://www.diodedrive.com)

[www.superbrightleds.com/cat/power-supplies](http://www.superbrightleds.com/cat/power-supplies)