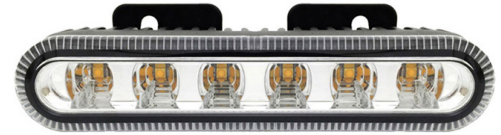


Important: Read all instructions prior to installation.

18-Watt LED Strobe Light Head

Parts Included

- 1 - LED Strobe Head
- 1 - Mounting Bracket
- 2 - Mounting Stud
- 2 - Mounting Nut
- 4 - Washers



Optional Accessories

- Switch Kit (SWK-PM)
- Fuse Holder (WMFH)
- Fuse (MAF-x)

Safety and Notes

- To reduce risk of electric shock, ensure that battery is disconnected before performing any installation procedures.
- When linking multiple lights with a common wire, make sure to select wire appropriately sized for intended load and run of the wire.
- Avoid looking directly into lamp when illuminated.

Specifications

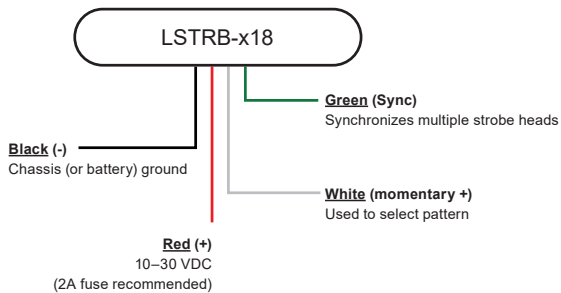
LSTRB-x18	
Voltage	10–30 VDC
Peak Current	1.5 A @ 12 VDC
IP Rating	IP67
Wire Length	11.81 in. (30 cm)
Recommended Fuse Rating	2 A per light head
Operating Temperature	-40°–149° F (-40°–65° C)

Flash Patterns

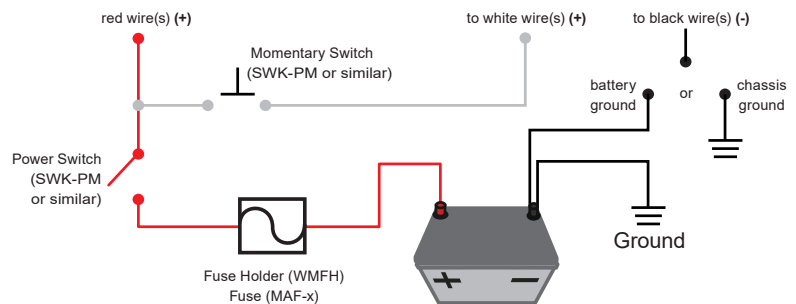
Once all connections are made and power is applied, briefly apply power using momentary switch to cycle through patterns.

Wiring

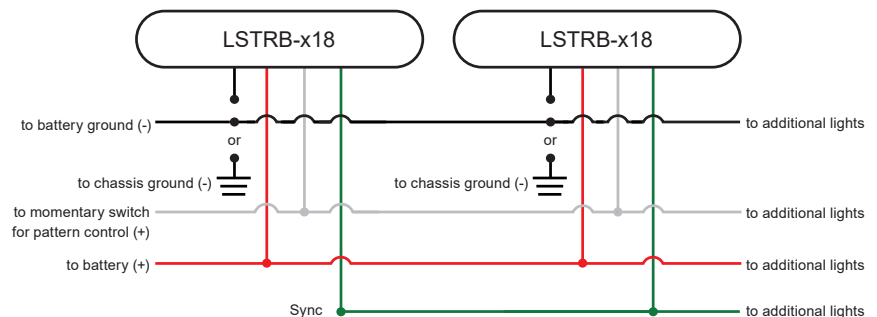
Wiring Diagram



Strobe Light Switch and Power Supply Diagram



Multiple Synced Light Systems



Important: Read all instructions prior to installation.

18-Watt LED Strobe Light Head

Dimensional Diagram

