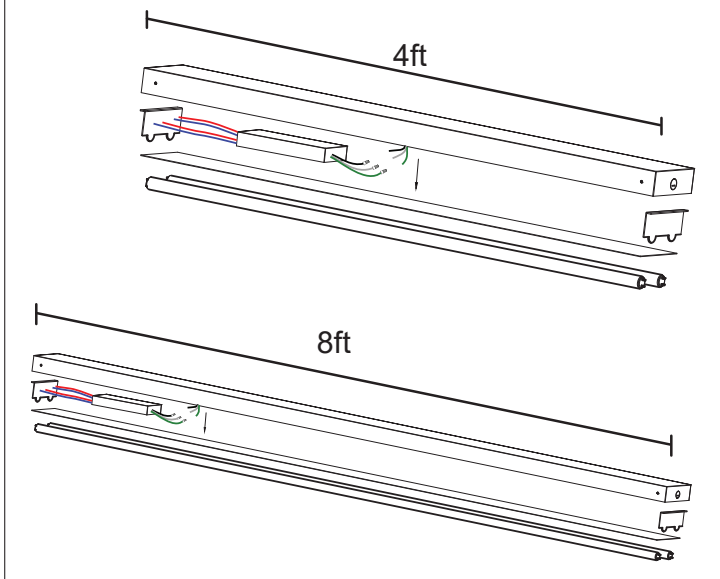


**Important: Read all instructions prior to installation.**

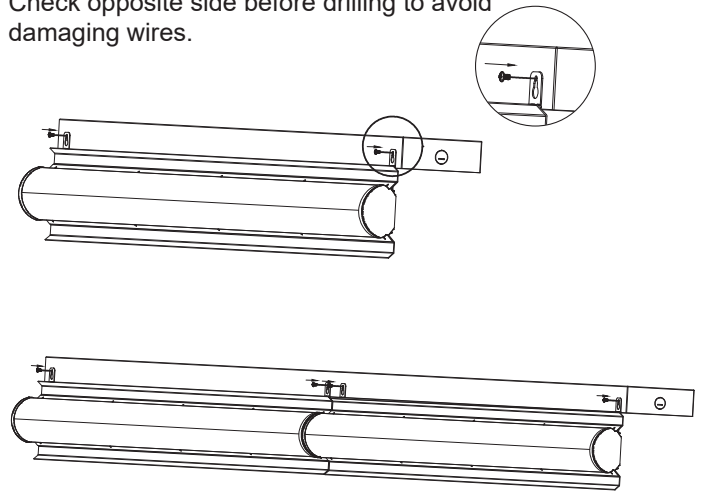
## LED Retrofit Kit for 4ft and 8ft Strip Fixtures

### Installation Instructions

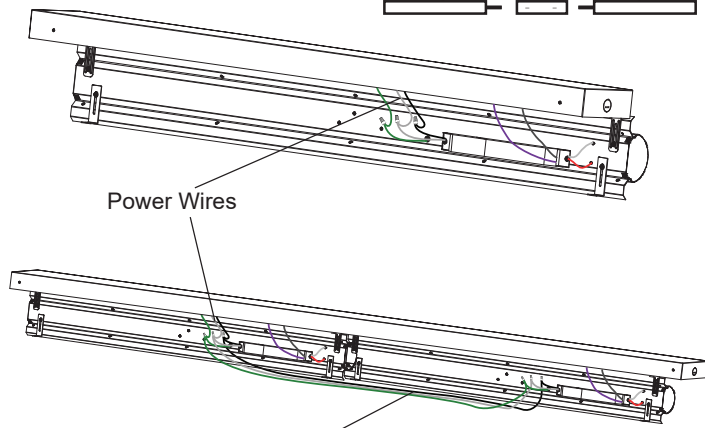
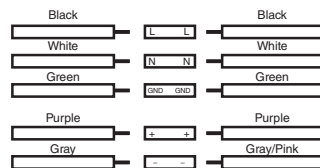
1. Turn power off. Remove original lamps, ballast cover and sockets.



2. Align the lamp with the lamp holder, and tighten the lamp with the screw. Drilling may be required. Check opposite side before drilling to avoid damaging wires.

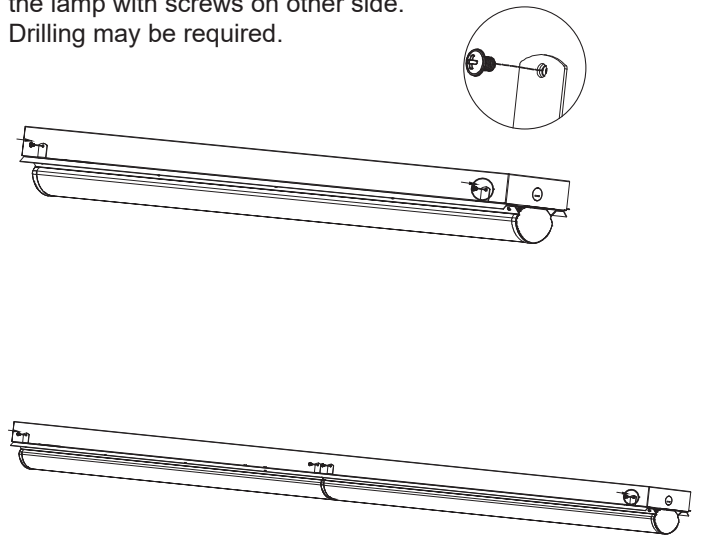


3. Connect wires as directed.



For 8ft Strip Fixture Retrofit, extending jumper wires may be necessary

4. Align the lamp with the lamp holder, and tighten the lamp with screws on other side. Drilling may be required.



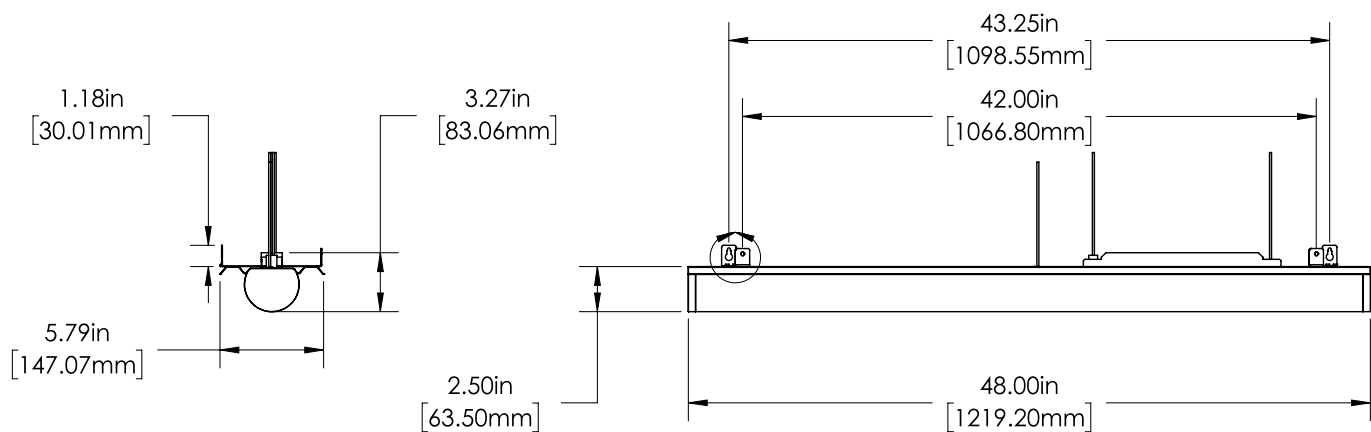
**Important: Read all instructions prior to installation.**

## LED Retrofit Kit for 4ft and 8ft Strip Fixtures

### Safety and Notes

- Risk of fire or electric shock. Fixture installation requires knowledge of luminaires electrical systems. If not qualified, DO NOT attempt installation. Contact a qualified electrician.
- Risk of fire or electric shock. Suitable for wet locations. Always turn off the power supply before installation. Risk of fire or electric shock. Suitable for non-insulated surface and frame. DO NOT cover fixture with insulation liner or similar material.
- DO NOT install fixture on unstable, loose or easily breakable surface.
- DO NOT exert force on the surface of the fixture.

### Dimensional Drawings



### MOUNTING BRACKET HOLE SIZES

