

Important: Read all instructions prior to installation.

RGB LED Panel Light



LPW-RGB6060-36

Safety and Notes

- Product should be installed by a certified electrician in accordance with applicable national, state, and local building and electrical codes.
- To reduce the risk of electric shock, ensure that the main power source and circuit breakers are switched off before performing any installation or wiring procedures.
- Avoid looking directly into the light when illuminated.
- Failure to properly support the fixture may result in damage or injury, for which the manufacturer does not assume responsibility. A safety cable is not included, but it is recommended that one be connected to grid clip during installation.

Required Mounting Accessories

- Suspension Kit (LP-HK)

Specifications

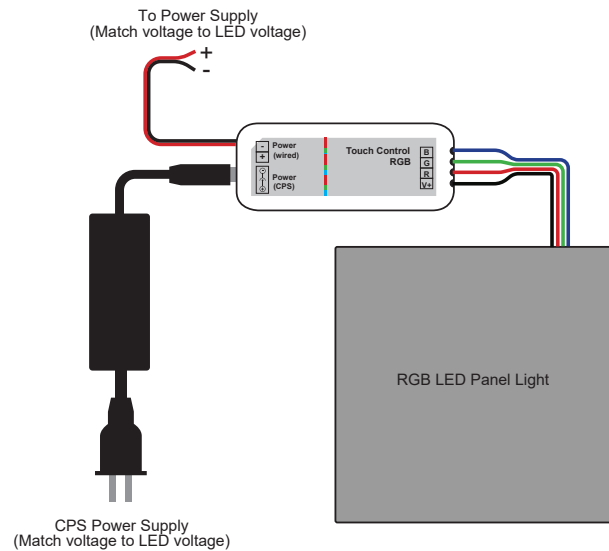
Model	LPW-RGBx-x
Operating Temperature	-4°-122° F (-20°-50° C)
IP Rating	IP40

Check product label for specific electrical specifications related to installation.

Improper installation will void warranty.

Wiring

Note: Electrical connections to optional controller and power supply (purchased separately) shown.



Accessory Suspension Kit (LP-HK) Installation

Note: 2' x 4' panels will require 2 kits to support fixture weight.

1. Mount suspension hardware to ceiling.
2. Hang panel from suspension cables using latched hook to secure the cables to the safety tabs on the rear of the light panel.
3. Adjust height as needed.

