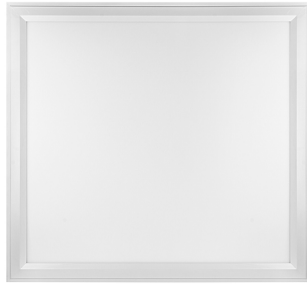


LPD Series

LED Panel Light Specifications

Project _____

Date _____ Type _____



LPD-40K22-40-JBK

Features

- 120-277 VAC
- 0-10 V dimmable
- L70 rated 50,000 hour lifetime

Construction

These are manufactured with Even-Glow® technology which creates a uniform distribution of light, diffusing over the whole lens to eliminate visible bulbs and hotspots. The aluminum frame is durable as well as aesthetically pleasing.

Application

Comparable panel sizes easily replace traditional 2' x 2', 2' x 4', and 1'x4' fluorescent fixtures (requires drop ceiling version). All sizes work well for surface mount installations (requires surface mount version).

Warranty

Five (5) Year Warranty

Certifications and Compliances



¹ 1' x 1' and 1' x 2' lights are UL Listed in compliance with UL 1598 (IFAM).

² 2' x 2', 2' x 4', and 1'x4' lights are ETL Listed in compliance with UL 1598 (IFAM)

Optional Accessories

Dimmers

- 0-10 V switch/slide wall dimmer (DMD-LED3-105-x)
- 0-10 V rotary wall dimmer (A019)
- 0-10 V slide wall dimmer (F019-W)

Available Configurations¹

white surface mount panel

- LPD-40K11-18
- LPD-40K12-25
- LPD-40K14-40-SMK
- LPD-30K22-40-SMK
- LPD-40K22-40-SMK
- LPD-50K22-40-SMK
- LPD-40K24-40-SMK

black surface mount panel

- LPBD-40K14-40-SMK
- LPBD-40K22-40-SMK
- LPBD-40K24-40-SMK

white drop ceiling panel

- LPD-40K14-40-JBK
- LPD-30K22-40-JBK
- LPD-40K22-40-JBK
- LPD-50K22-40-JBK
- LPD-40K24-40-JBK

black drop ceiling panel

- LPBD-40K14-40-JBK
- LPBD-40K22-40-JBK
- LPBD-40K24-40-JBK

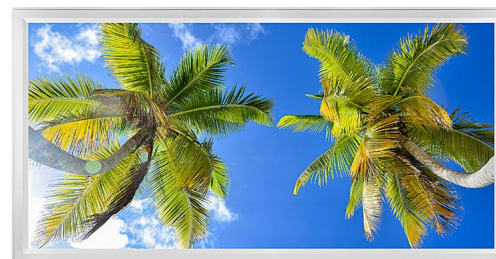
Part Number Breakdown

Example: LPD-40K22-40-JBK

Series	Color Temperature	Panel Size	Wattage	Mounting Type
LPD [white] or LPBD [black]	30K [3000K] or 40K [4000K]	11 [1'x1']	18 [18 W]	SMK or blank [surface mount] or JBK [drop ceiling]
		12 [1'x2']	25 [25 W]	
	50K [5000K]	14 [1'x4']	40 [40 W]	
		22 [2'x2']		
		24 [2'x4']		

Printed Panels

Panels are also offered with several printed lens options. Printed panels can be ordered singularly or in multi-panel configurations and can utilize stock imagery or custom designs to meet virtually any need.



¹Contact customer service if interested in options other than those listed.

Rev V1 Date: 05/12/2020

Specifications are subject to change without notice.

Printed in the U.S.A.



T 314.743.3067

F 314.972.6202

email: commercial-sales@superbrightleds.com

www.superbrightleds.com/cat/led-panel-light/

www.superbrightleds.com/cat/decorative-ceiling-light-panels/

LPD Series

LED Panel Light Specifications

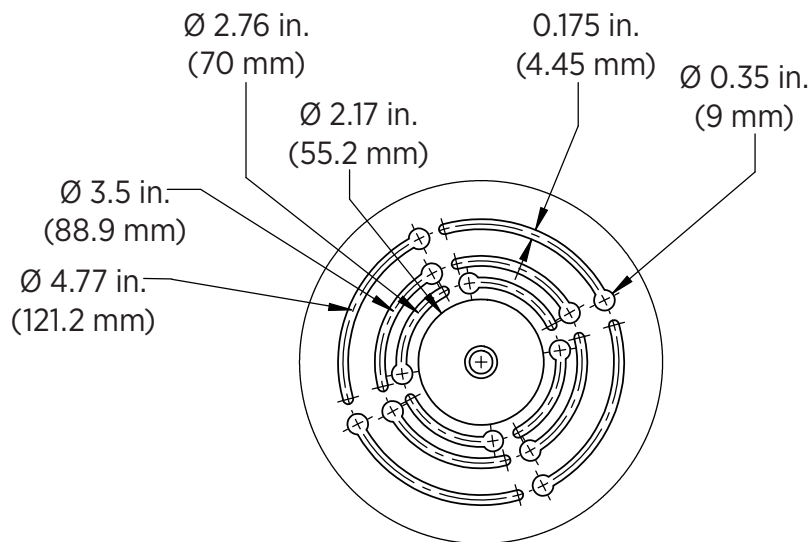
Specifications

Model	LPD-40K11-18	LPD-40K12-25	LPD-40K14-40-x LPBD-40K14-40-x	LPD-xK22-40-x LPBD-xK22-40-x	LPD-40K24-40-x LPBD-40K24-40-x
Intensity	1,800 lm	2,500 lm	4,100 lm	4,100-4,400 lm	4,500 lm
Operating Voltage	120-277 VAC				
Power Consumption	18 W	25 W	40 W		
Current Draw @120 VAC	150 mA	208 mA	333 mA	333 mA	333 mA
Efficacy	100 lm/W		103 lm/W	103-110 lm/W	113 lm/W
Available Color Temperature(s)	4000K			3000K, 4000K, or 5000K (as ordered)	4000K
Beam Angle	110°				
CRI	80+				
Dimming	0-10 V				
IP Rating	IP20				
Ambient Operating Temperature	-4°-113° F (-20°-45° C)				
Rated Life (L70)	50,000 hours				

Dimensional Drawing (mounting)

Drop ceiling mount models come with a small junction box that mounts on the back, center of the panel and protrudes approximately 1.9 in. (48 mm) from the rear of the panel.

Surface mount panels feature a rear plate that installs on a junction box or similar surface and then connects to the light for easy mounting. This plate extend approximately 0.11 in. (2.8 mm) off the rear of the panel and has mounting channels as pictured below.



T 314.743.3067

F 314.972.6202

email: commercial-sales@superbrightleds.com

www.superbrightleds.com/cat/led-panel-light/

www.superbrightleds.com/cat/decorative-ceiling-light-panels/

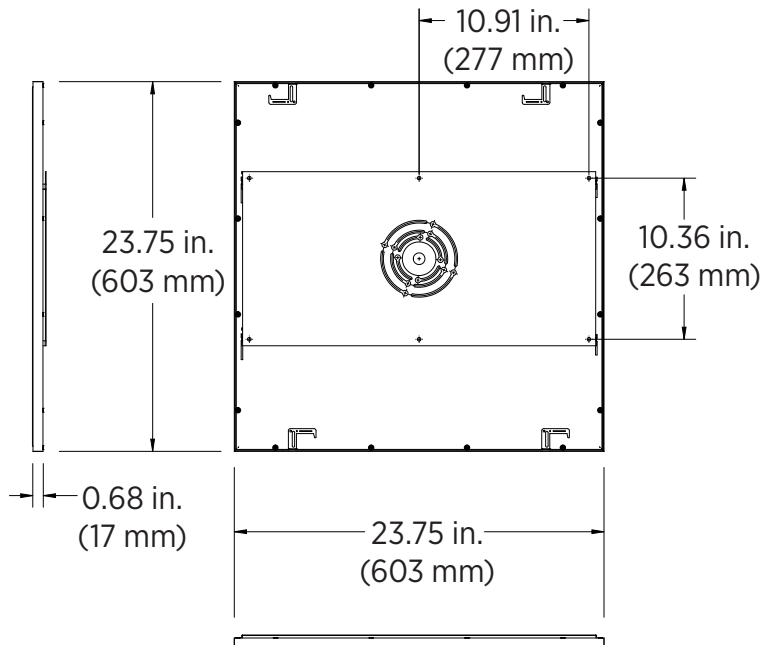
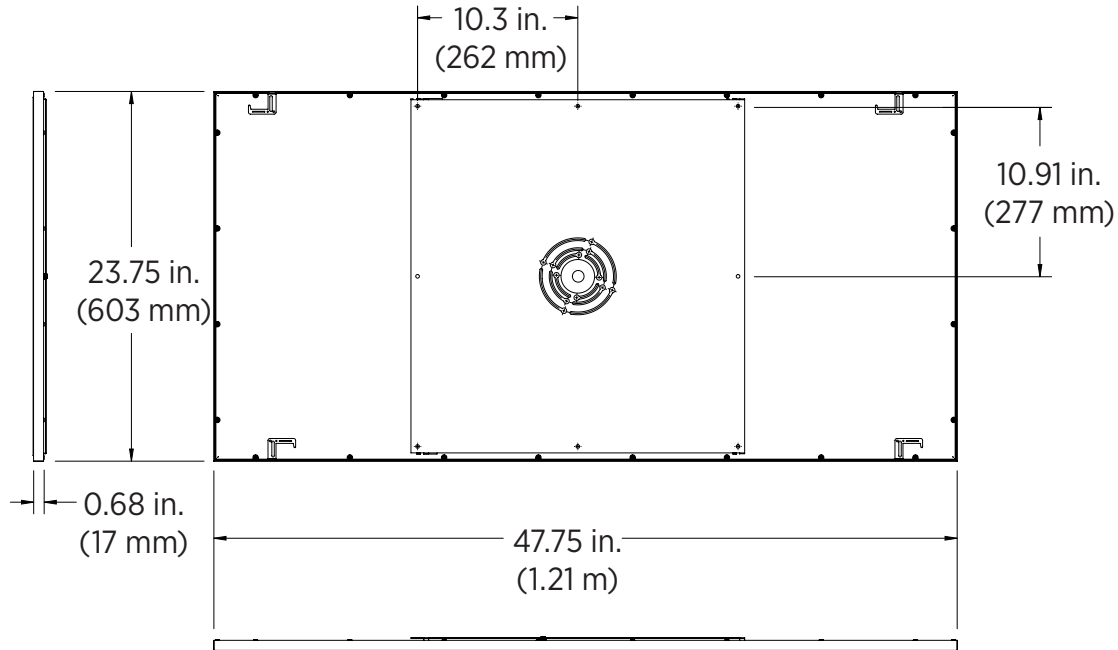


LPD Series

LED Panel Light Specifications

Dimensional Drawing (2' x 4' and 2' x 2' models)

Surface mount models shown. The only difference on drop ceiling models is that the rear mounting plate is replaced with a small, center-mounted junction box.



T 314.743.3067

F 314.972.6202

email: commercial-sales@superbrightleds.com

www.superbrightleds.com/cat/led-panel-light/

www.superbrightleds.com/cat/decorative-ceiling-light-panels/



LPD Series

LED Panel Light Specifications

Dimensional Drawing (1' x 4', 1' x 2', and 1' x 1' models)

Surface mount models shown. The only difference on drop ceiling models (1' x 4' only) is that the rear mounting plate is replaced with a small, center-mounted junction box.

