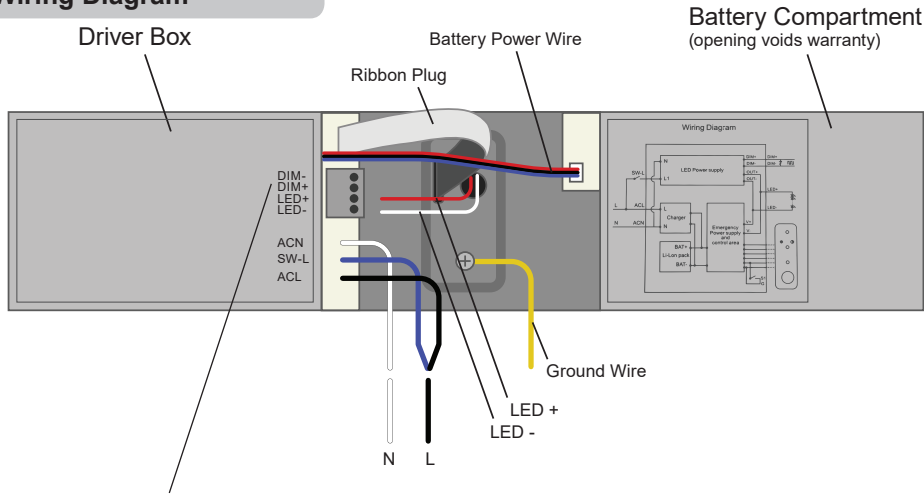


Important: Read all instructions prior to installation.

Dimmable LED Panel Light

Wiring Diagram



Connect dimmer wiring (gray and purple) to terminal block if applicable.

Testing

Manual Test

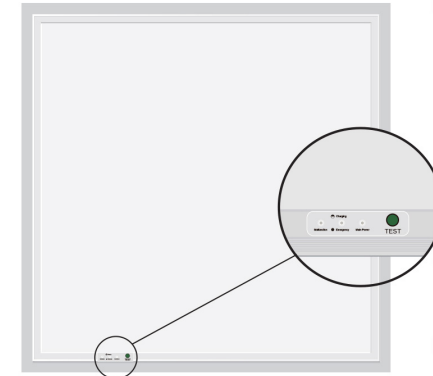
Test button can be held to illuminate lights for manual testing purposes.

STATUS	Main Power Indicator	Charging Indicator	Malfunction Indicator	Panel
Normal and Panel ON	ON	Red - Slow Blinking / OFF Green - ON	OFF	ON
ON Battery Power	OFF	ON	OFF	ON
Normal and Panel OFF	ON	Red - Slow Blinking / OFF Green - ON	OFF	OFF
No AC or Battery	OFF	OFF	OFF	OFF
No AC or Battery Low	OFF	Quick Blinking	OFF	ON
Battery Not Connected	OFF	OFF	Quick Blinking	OFF
Power Fault	OFF	OFF	ON	OFF

LED Light Panel with Integrated Emergency Battery

LPDB Series

User Manual



LPDB-40K22-40W-2802



Important: Read all instructions prior to installation.

## LED Light Panel with Integrated Emergency Battery

### Included Parts

- 1 - LED panel Light

### Recommended Accessories

- 0–10V Slide Dimmer (F019)
- 0–10V Knob Dimmer (A019)

### Specifications

Model	LPDB-xK22-40W-2802	LPDB-xK24-50W-2805
Operating Voltage	120–277 VAC	
Rated Power Consumption	40 W	50W
Current Draw	0.5 A @ 120 VAC	0.6 A @ 120 VAC
Beam Angle	120 degree	
Dimmable	0–10 V	
Operating Temperature	14–104°F (-10–40° C)	
Product Weight	8.6 lb (3.9 kg)	14 lb (6.4 kg)
IP Rating	IP40	

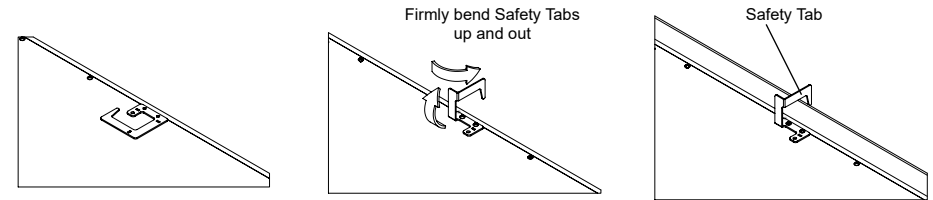
### Safety Information

- Product should be installed by a certified electrician in accordance with applicable national, state, and local building and electrical codes.
- To reduce the risk of electric shock, ensure that the main power source and circuit breakers are switched off before performing any installation or wiring procedures.
- Avoid looking directly into the light when illuminated.
- Failure to properly support the fixture may result in damage or injury, for which the manufacturer does not assume responsibility. A safety cable is not included, but it is recommended that one be connected to grid clip during installation.
- Use caution when handling or servicing the battery pack.
- Intended for indoor use only.
- Light must be maintained, tested, and serviced in accordance with all applicable National Fire Protection Association (NFPA) and local codes

## Drop Ceiling Installation

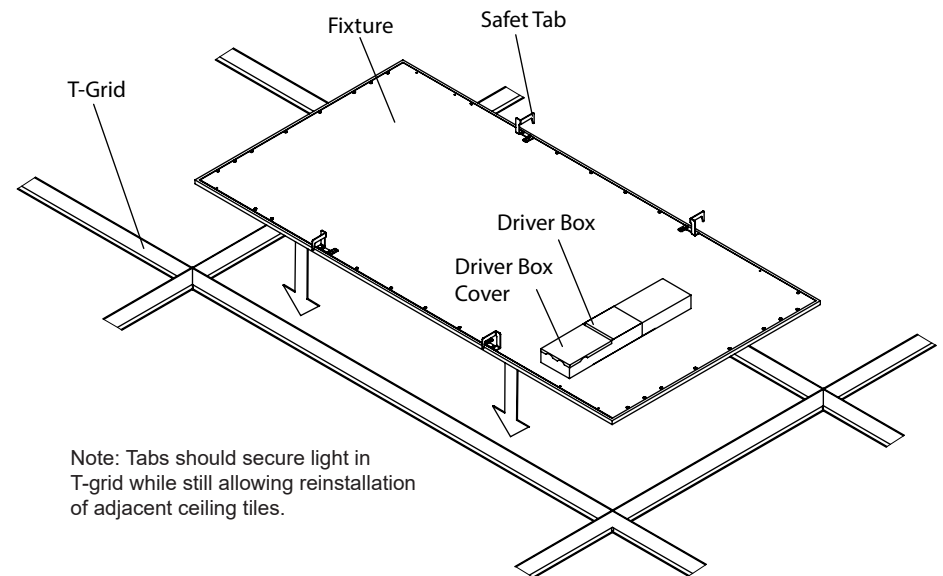
1. Turn supply power to circuit off. If installing as a retrofit, remove existing fixture.
2. Open driver box and remove knockout(s) for wiring. Make electrical connections using wiring diagram. Once complete, connect emergency backup battery and resecure driver box cover.

FIG 1



3. Bend out safety tab to be vertical, then upper portion out 90 degrees. Secure safety cable to anchor the fixture as well.
4. Lay fixture into T-grid.
5. Apply power and allow battery pack to charge for at least 24 hours before initial use/test.
6. After 24-hour period, press test button to make certain lights are functioning as intended.

FIG 2



Note: Tabs should secure light in T-grid while still allowing reinstallation of adjacent ceiling tiles.