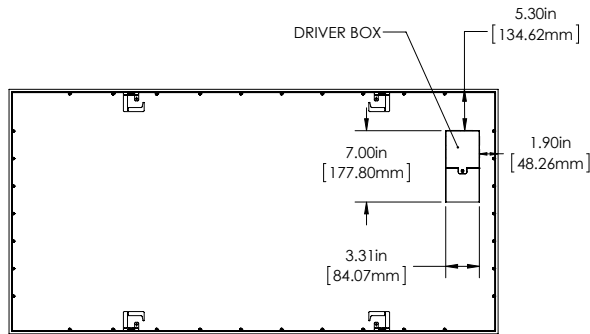
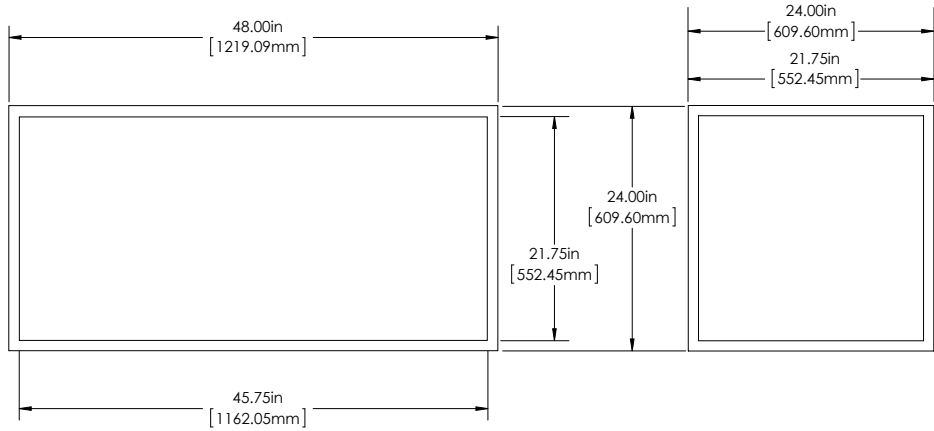
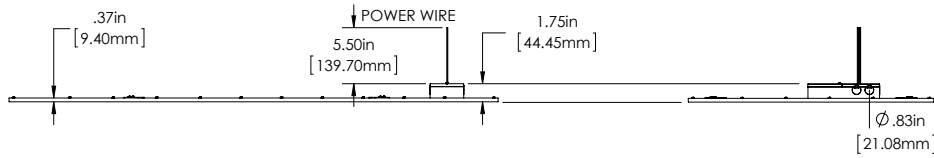


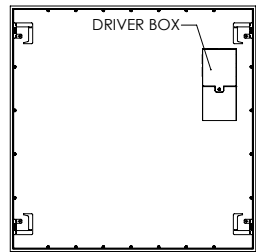
Important: Read all instructions prior to installation.

Dimmable LED Panel Light

Dimensional Drawings



LPD4-xK24-50-SM21N



LPD4-xK22-40-SM15N

Dimmable LED Panel Light

LPD4 Series

User Manual



LPD4-xK24-50-SM21N



Important: Read all instructions prior to installation.

Dimmable LED Panel Light

Included Parts

- 1 - LED panel Light

Recommended Accessories

- 0–10V Slide Dimmer (F019)
- 0–10V Knob Dimmer (A019)

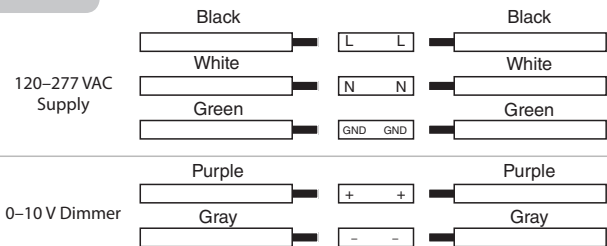
Specifications

Model	LPD4-xK22-40-SM15N	LPD4-xK24-50-SM21N
Operating Voltage	120–277 VAC	
Rated Power Consumption	40 W	50W
Current Draw	330mA @ 120 VAC	420mA @ 120 VAC
Beam Angle	110 degree	
Dimmable	0–10 V	
Operating Temperature	14–104°F (-10–40° C)	
Product Weight	5 lb (2.3 kg)	10 lb (4.5 kg)
IP Rating	IP20	

Safety Information

- Product should be installed by a certified electrician in accordance with applicable national, state, and local building and electrical codes.
- To reduce the risk of electric shock, ensure that the main power source and circuit breakers are switched off before performing any installation or wiring procedures.
- Avoid looking directly into the light when illuminated.
- Failure to properly support the fixture may result in damage or injury, for which the manufacturer does not assume responsibility. A safety cable is not included, but it is recommended that one be connected to grid clip during installation.

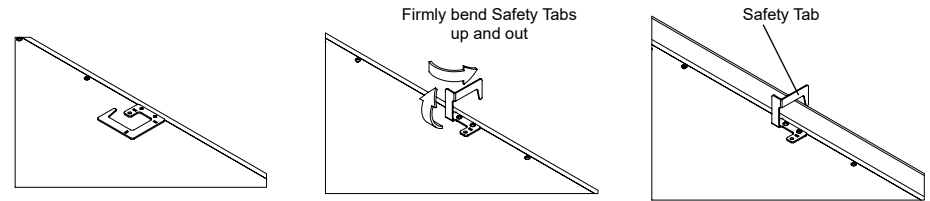
Wiring Diagram



Drop Ceiling Installation

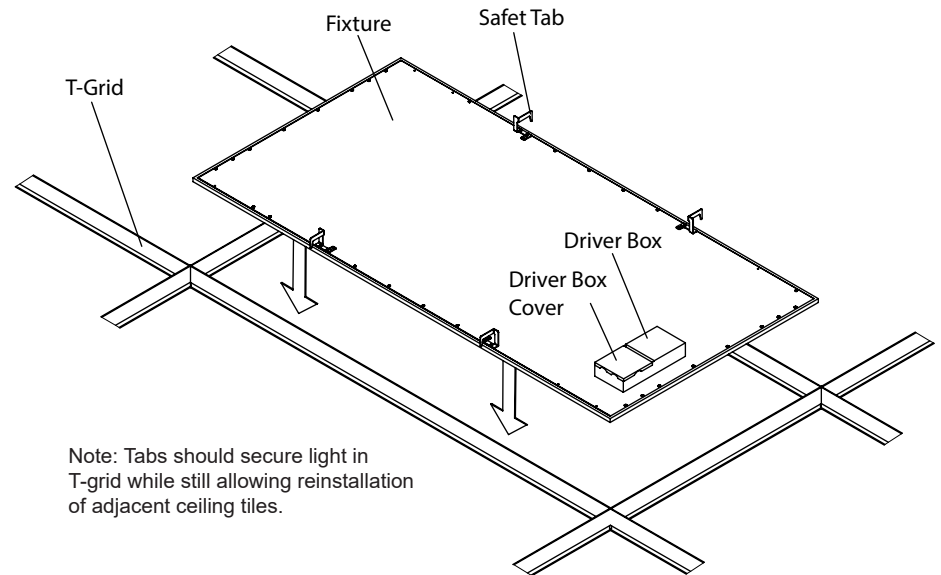
1. Turn supply power to circuit off. If installing as a retrofit, remove existing fixture.
2. Open driver box and remove knockout(s) for wiring. Make electrical connections using wiring diagram. Once complete, resecure driver box cover.

FIG 1



3. Bend out safety tab to be vertical, then upper portion out 90 degrees. It is recommended that a safety cable (purchased separately) be installed to anchor the fixture as well.
4. Lay fixture into T-grid.

FIG 2



Note: Tabs should secure light in T-grid while still allowing reinstallation of adjacent ceiling tiles.