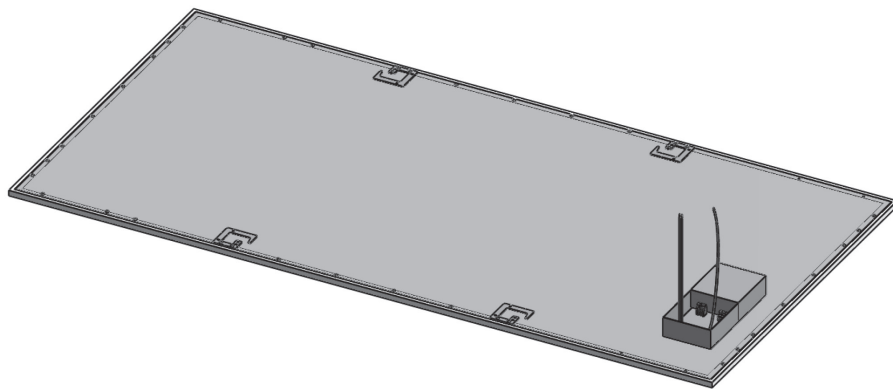
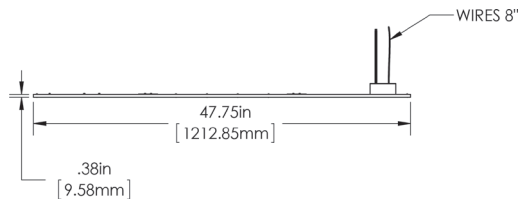
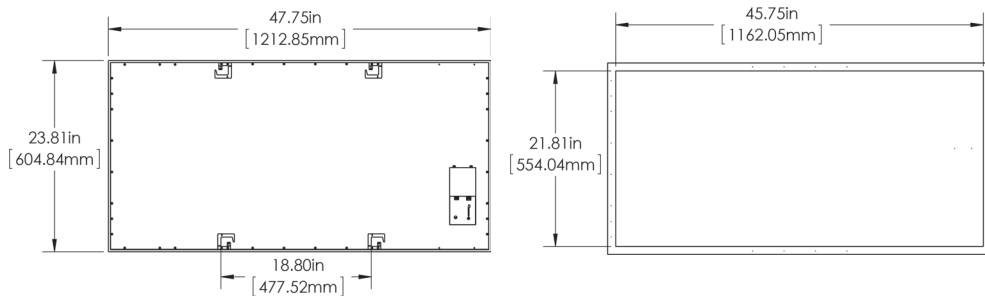


Dimensional Drawings



2x4 LED Dimmable Panel Light
LPD3 Series

Installation Manual



Important: Read all instructions prior to installation.

2x4 LED Dimmable Panel Light

Included Parts

2x4 LED Panel Light x1

Recommended Accessories

1 - 0~10V Slide Dimmer (F019) or 0~10V Knob Dimmer (A019)

Specifications

LPD3 Series 2X4	
Operating Voltage	100~277 VAC
Rated Power Consumption	50 Watts
Current Draw	300mA @ 120 VAC
Power Factor	>0.90
Beam Angle	120 degree
Intensity	5000 lumen
Efficacy	96 lm/w
Color Temperature	3500K, 4000K, 5000K
CRI	> 80
Dimmable	YES 0~10V
LED Lifespan	50,000 hours
Operating Temperature	14~104°F (-10~40° C)
Product Weight	13.5 lbs (6.1kg)
Product Materials	Aluminum & PC
Certifications	ETL, FCC
Warranty	5 year
IP Rating	IP20

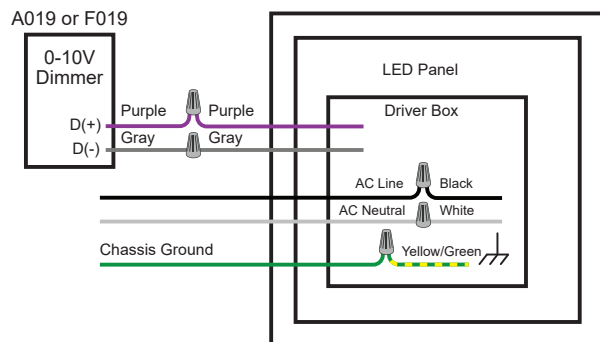
Safety Information

CAUTION! Risk Of Electric Shock

Turn off all power prior to installation by switching off circuit breaker or removing fuse at fuse box.

- This product should be installed by a fully certified electrician in accordance with relevant federal, state and local building and electrical codes

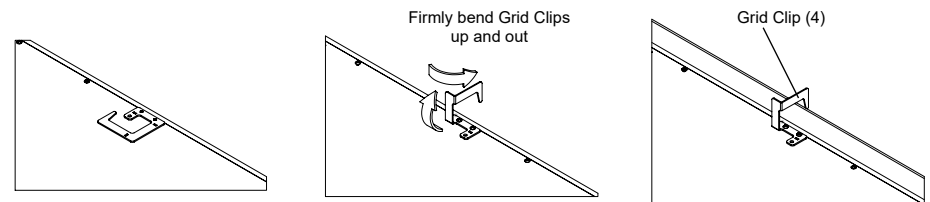
Wiring Diagram



Installation: In Drop Ceiling

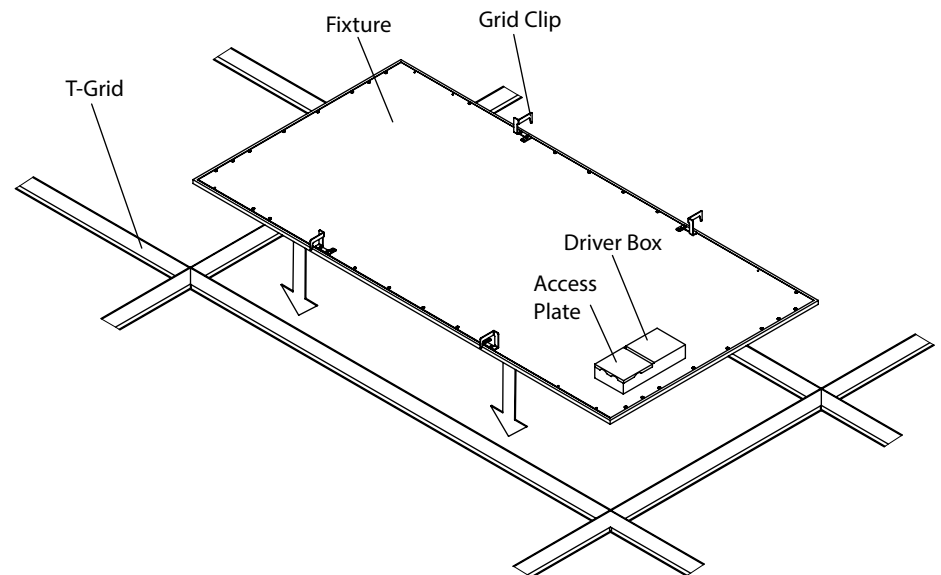
- Turn off power and remove existing troffer light or ceiling tile.
- Open driver box and remove knockout(s) on driver box. Make electrical connections inside of driver box as shown in FIG 1. Reinstall driver box lid.

FIG 2



- Bend each t-bar suspension hook away from panel until facing perpendicular to panel backing. Bend hook arm until facing perpendicular to hook body. (FIG 2) Hook panel light onto t-bar until panel is fully supported. (FIG 3)

FIG 3



Support Wire (supplied by others)

