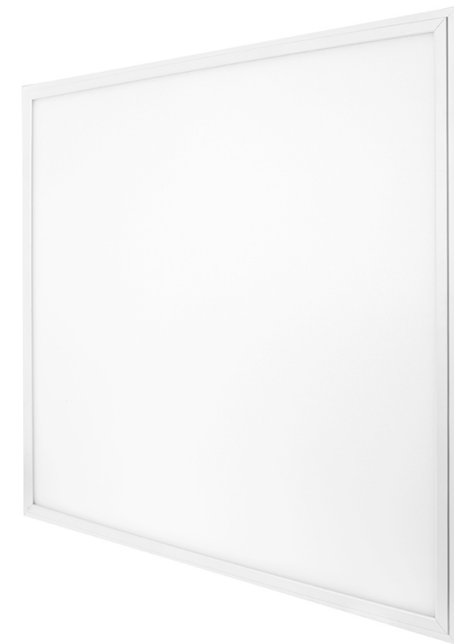


2x2 LED Dimmable Panel Light

LPD3 Series

Installation Manual



Important: Read all instructions prior to installation.

2x2 LED Dimmable Panel Light

Included Parts

2x2 LED Panel Light x1

Recommended Accessories

1 - 0~10V Slide Dimmer (F019) or 0~10V Knob Dimmer (A019)

Specifications

LPD3 Series 2X2	
Operating Voltage	100~277 VAC
Rated Power Consumption	40 Watts
Current Draw	300mA @ 120 VAC
Power Factor	>0.90
Beam Angle	120 degree
Intensity	4000 lumen
Efficacy	96 lm/w
Color Temperature	3500K, 4000K, 5000K
CRI	> 80
Dimmable	YES 0~10V
LED Lifespan	50,000 hours
Operating Temperature	14~104°F (-10~40° C)
Product Weight	6.75 lbs (3 kg)
Product Materials	Aluminum & PC
Certifications	ETL, FCC
Warranty	5 year
IP Rating	IP20

Safety Information

CAUTION! Risk Of Electric Shock

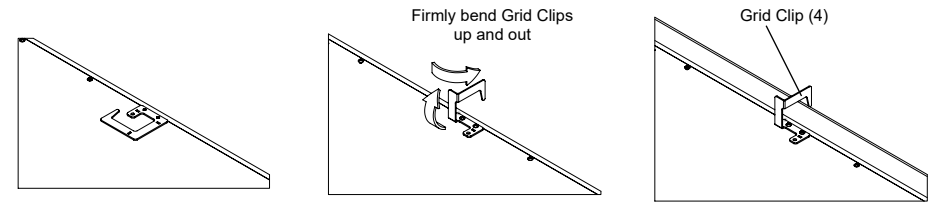
Turn off all power prior to installation by switching off circuit breaker or removing fuse at fuse box.

This product should be installed by a fully certified electrician in accordance with relevant federal, state and local building and electrical codes

Installation: In Drop Ceiling

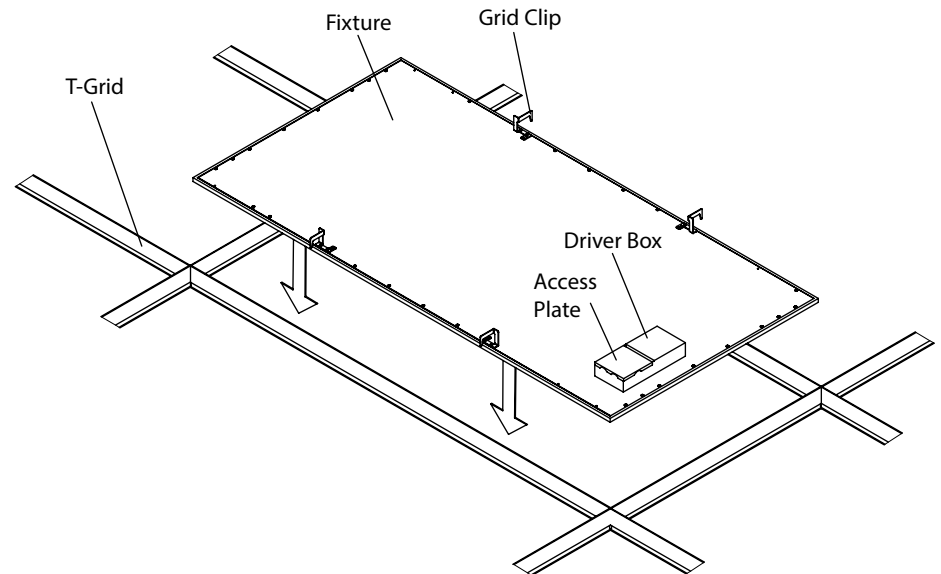
1. Turn off power and remove existing troffer light or ceiling tile.
2. Open driver box and remove knockout(s) on driver box. Make electrical connections inside of driver box as shown in FIG 1. Reinstall driver box lid.

FIG 2



3. Bend each t-bar suspension hook away from panel until facing perpendicular to panel backing. Bend hook arm until facing perpendicular to hook body. (FIG 2) Hook panel light onto t-bar until panel is fully supported. (FIG 3)

FIG 3



Wiring Diagram

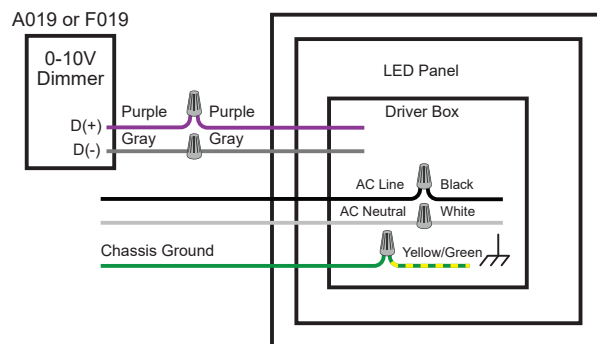


FIG 1

