

**Important: Read all instructions prior to installation.**

## Selectable Wattage/CCT LED Light Panel

### Safety and Notes

- Product should be installed and serviced by a certified electrician in accordance with applicable national, state, and local building and electrical codes.
- To reduce the risk of electric shock, ensure that the main power source and circuit breakers are switched off before performing any installation or wiring procedures.
- Avoid looking directly into lamp when illuminated.
- Ensure all mounts are securely attached and will support the weight of the fixture. Failure to properly support fixture may result in damage or injury, for which the manufacturer does not assume responsibility.



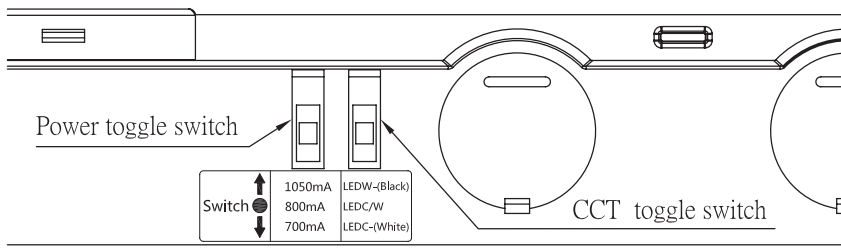
### Specifications

Environmental Specifications	
Operating Temperature	-4°–104° F (-20°–40° C)
IP Rating	IP20

Check product label for specific electrical specifications related to installation. Improper installation will void warranty.

### Selectable CCT and Wattage

Prior to installing panel, CCT and wattage can be selected using the built-in switches on junction box.



### Drop Ceiling Installation

1. Turn supply power to circuit off. If installing as a retrofit, remove existing fixture.
2. Open driver box and remove knockout(s) for wiring. Make electrical connections using wiring diagram.
3. Set CCT and wattage using switches on driver box.
4. Lay fixture into T-grid.
5. Bend out safety tab to be vertical, then upper portion out 90 degrees. It is recommended that a safety cable (not included) be installed to anchor the fixture as well.

FIG 1

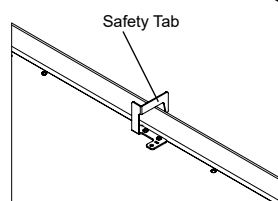
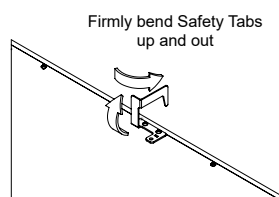
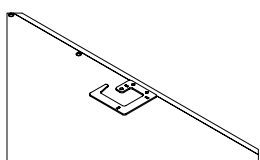
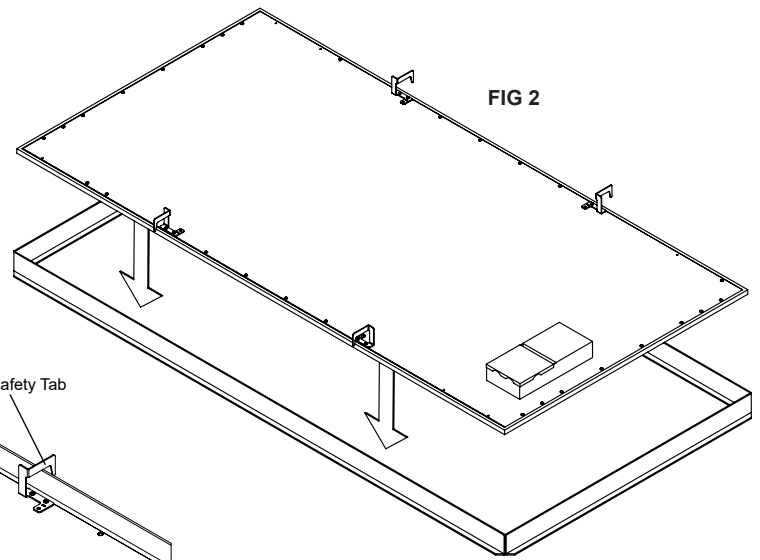


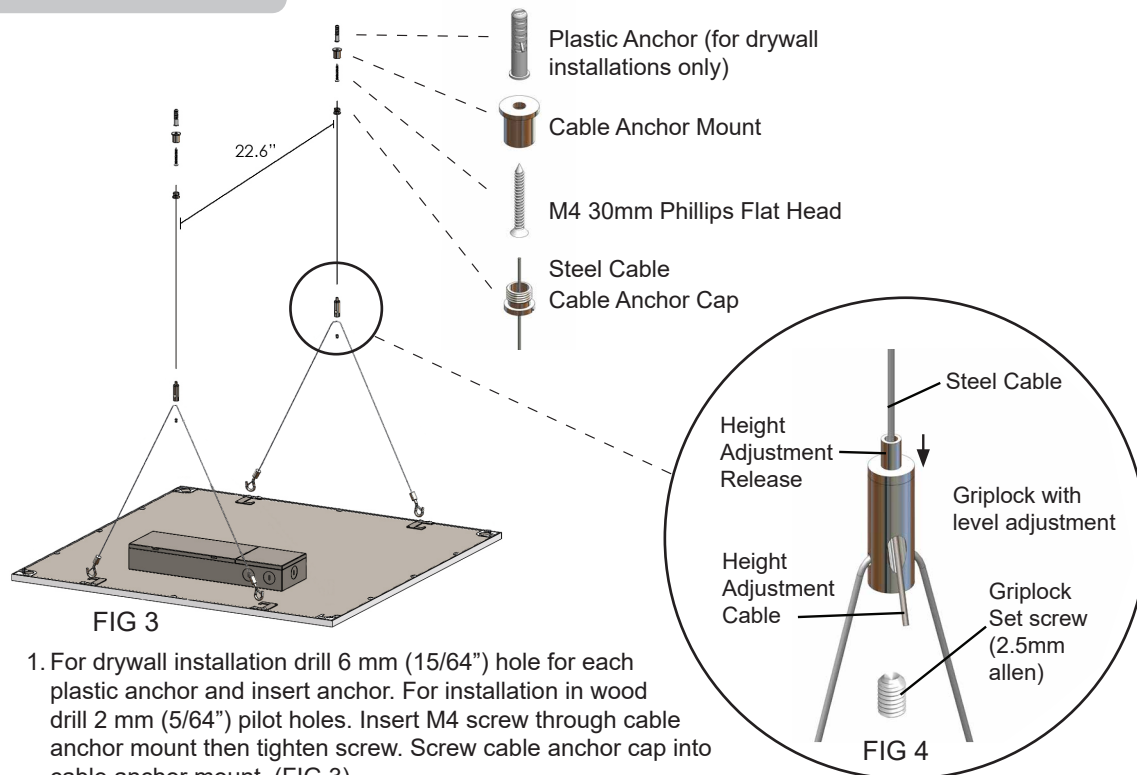
FIG 2



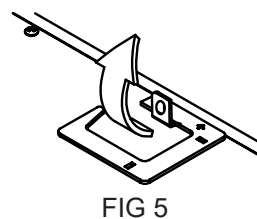
**Important: Read all instructions prior to installation.**

## Selectable Wattage/CCT LED Light Panel

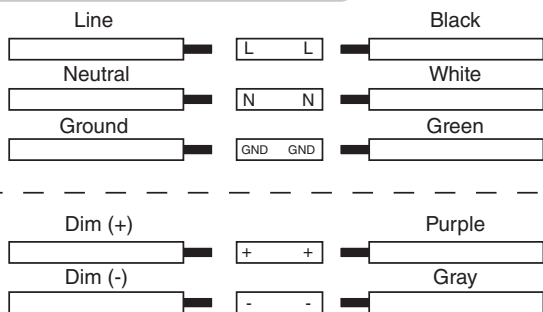
### Suspension Kit Installation



1. For drywall installation drill 6 mm (15/64") hole for each plastic anchor and insert anchor. For installation in wood drill 2 mm (5/64") pilot holes. Insert M4 screw through cable anchor mount then tighten screw. Screw cable anchor cap into cable anchor mount. (FIG 3)
2. Bend eyelets located on each safety tab of panel up until 90° to panel surface (see FIG 5). Snap hooks into eyelets.
3. To adjust height, feed cable through Griplock until desired height is achieved. To release or lower the light panel, press height adjustment release. (FIG 4)
4. For leveling adjustments, slide steel cable side to side until panel light is level and tighten Griplock set screw. (FIG 4)
5. With supply power off, make all electrical connections.
6. Set CCT and wattage using switches on driver box.



### Wiring Diagram



Note: Dimming wires connect to quick-connect terminal in junction box. Dimming wires not included.