

Important: Read all instructions prior to installation.

LED Panel Light with Mounting Kit

Included Parts

- 1 - Even Glow Panel (LP-NW3030-35-12V, LP-NW6030-35-12V)
- 4 - Mounting Brackets
- 4 - Anchors

Mounting Hardware

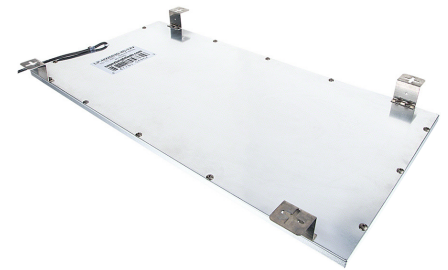
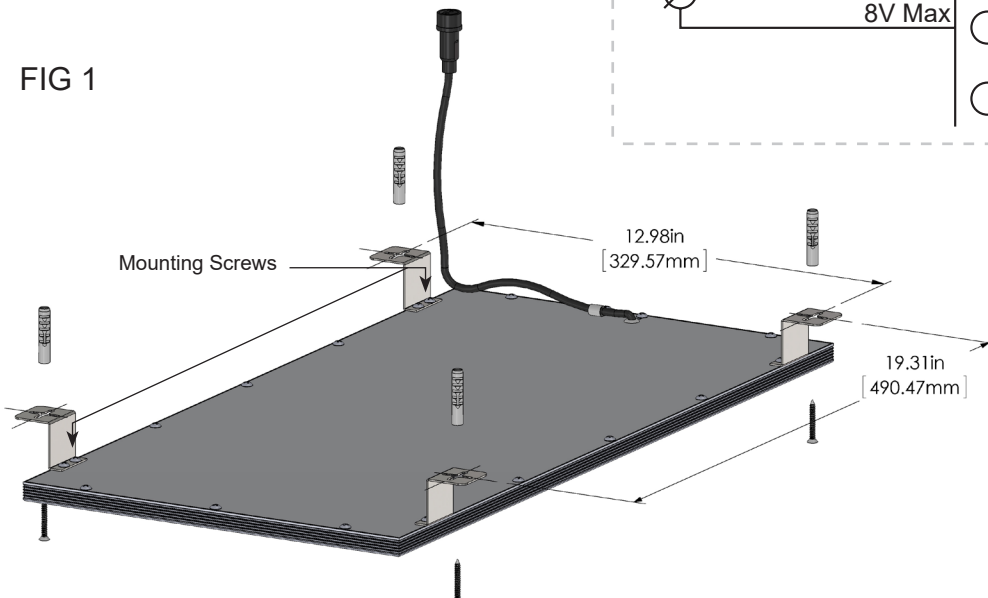


*Note: LP-SMK-BKT Included with panel

Installation

1. Use a Phillips screwdriver to remove screws from LED Panel. (Fig. 1) Use these screws to attach 4 Mounting brackets to the panel. Note: Make sure to orient the Mounting Brackets correctly (varies by application).
2. Hold Panel against surface where it is to be mounted. Mark surface with pencil for proper placement of the Panel.
3. While anchors are provided for use in mounting, they are not appropriate for all applications.

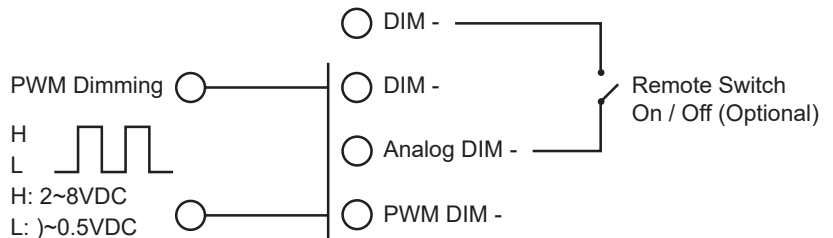
FIG 1



Dimming Instructions

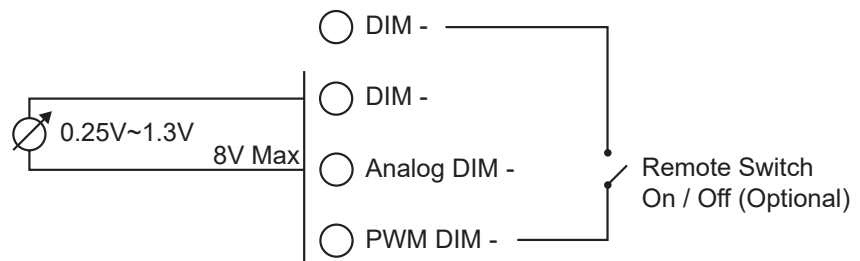
Pulse Width Modulation Controls

0%(OFF) - 50%(half dimming) - 100%(full brightness)
The PWM frequency range is 1-10KHz.
Do not exceed 8 VDC on the PWM DIM wire.



Analogue Dimming Controls

As analogue voltage increases, the brightness increases.
0VDC = OFF, 0.25 VDC = minimum brightness, 1.3 VDC = maximum brightness
Do not exceed 8VDC on the Analogue DIM wire.



Important: Read all instructions prior to installation.

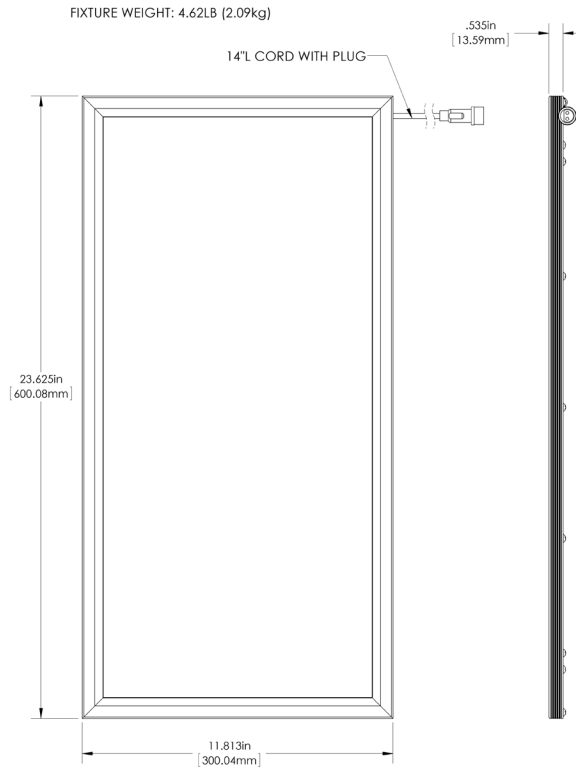
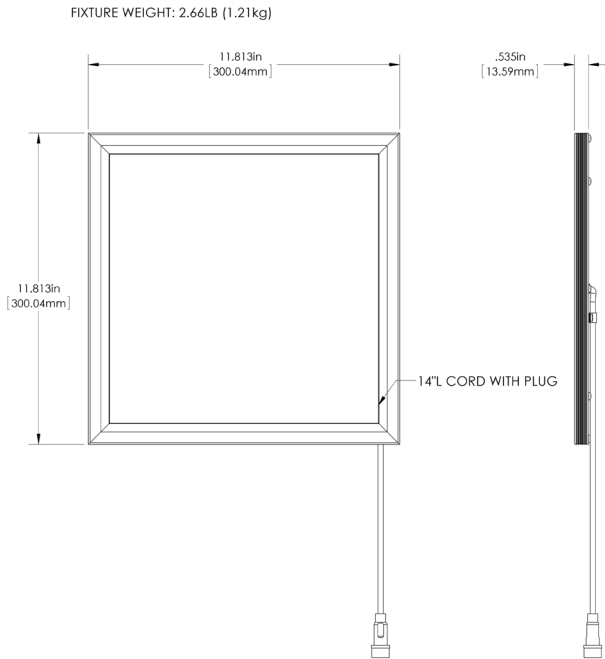
LP-NW3030-35-12V
LP-NW6030-40-12V

LED Panel Light with Mounting Kit

Dimensional Drawings

LP-NW3030-35-12V

LP-NW6030-35-12V



LP-SMK-BKT

