

Important: Read all instructions prior to installation.

RGB Controller with Touch Color Remote

Parts Included

- 1 - RGB Controller
- 1 - RF Touch Color Remote

RF Remote



Button	Functions
	Turn all LEDs on and off, retaining the last setting on power toggle.
	Pauses the current mode, press the same button again to resume.
COLOR WHEEL	Directly select color on wheel from any mode or color selection by touching the color wheel. Rotate finger around to fine tune desired color.
BRIGHTNESS +/- 	Dim LEDs in any static color mode by pressing () symbol. Brighten LEDs by pressing () symbol.
SPEED +/- 	Increase () and decrease () speed on dynamic modes.
MODE +/- 	Cycle up or down through 29 different dynamic modes, static white, and static color modes.

RF remote controller has a signal range up to 65ft (20m) and requires 3 x AAA batteries (not included).

General Description

LDRF-RGB8-TC3(Black or White remotes) three channel RGB (Red, Green, Blue) LED controller with color touchwheel for directly selecting a wide range of colors.

Offers 29 dynamic modes, static white mode, and static single color modes with adjustable brightness, speed and mode retention (controller resumes modes with the settings previously selected on power toggle).

Instructions

Pre-test & Configure

May be used with RGB strips, bars, modules, and other RGB LED products. Connect LEDs to power supply and controller

Turn on LEDs using the included remote controller to ensure proper operation of the LEDs, power supply, controller, and remote.

Red power light will illuminate when controller is powered.

Green receiver light will illuminate when controller is receiving a signal from remote.

Choose suitable dry location for the power supply and controller.

Static White Mode

Press " " mode button until white. Brightness is adjustable using " " (dim) " " (bright) buttons.

Static Color Mode

To select a static color from any mode:
Press the color wheel to select your color. Brightness is adjustable using " " (dim) " " (bright) buttons.

Modes List

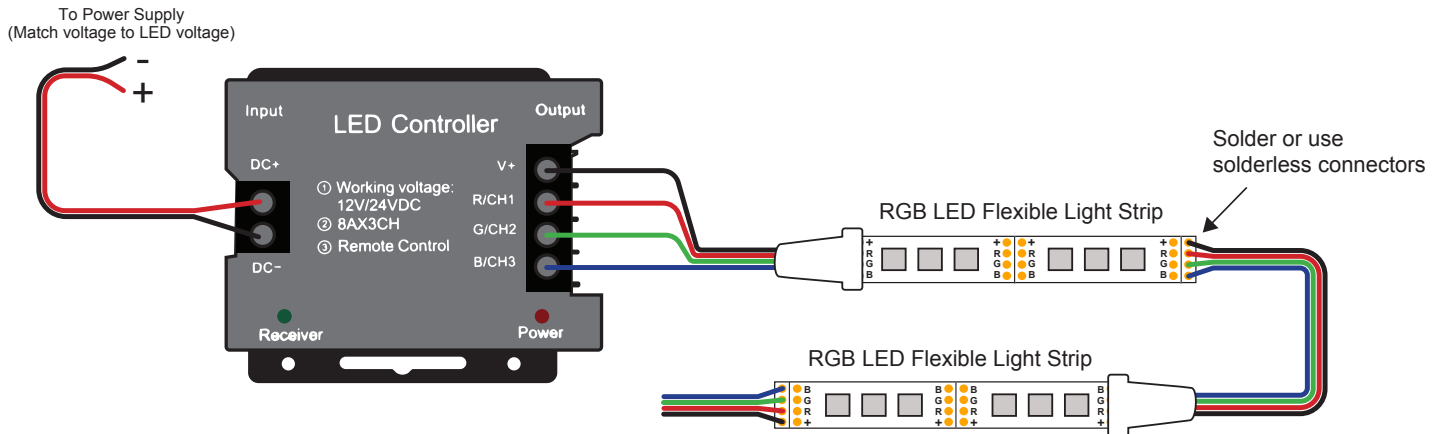
Static Modes		
Mode	Function	Dimmable
1	Static Red	Yes
2	Static Blue	Yes
3	Static Green	Yes
4	Static Cyan	Yes
5	Static Yellow	Yes
6	Static Purple	Yes
7	Static White	Yes
Dynamic Modes		
Mode	Function	Speed Adjustable
8	RGB jump changing	Yes
9	7 color jump changing	Yes
10	RGB static fade	Yes
11	7 color general change	Yes
12	Red strobe flash	Yes
13	Green strobe flash	Yes
14	Blue strobe flash	Yes
15	Yellow strobe flash	Yes
16	Cyan strobe flash	Yes
17	Purple strobe flash	Yes
18	White strobe flash	Yes
19	Red/green strobe flash	Yes
20	Red/blue strobe flash	Yes
21	Blue/green strobe flash	Yes
22	All colors flash	Yes
23	Red flash	Yes
24	Green flash	Yes
25	Blue flash	Yes
26	Yellow flash	Yes
27	Cyan flash	Yes
28	Purple flash	Yes
29	White flash	Yes



Important: Read all instructions prior to installation.

RGB Controller with Touch Color Remote

Wiring: Method 1



Specifications

Type	3 Channel
Input Voltage	12/24 VDC
Output	8 A per channel
Max Wattage	288 W (12 VDC) / 576 W (24 VDC)
Operating Temp	-4°-140° F (-20°-60° C)
Frequency	433 MHz
FCC ID	2AFRVFC433RMT5
Batteries	3 x AAA (Not Included)

FCC Statement

This device complies with part 15 of the FCC Rules. Operation is subject to the following two conditions: (1) This device may not cause harmful interference, and (2) This device must accept any interference received, including interference that may cause undesired operation. Any changes or modifications in construction of this device which are not expressly approved by the party responsible for compliance could void the user's authority to operate the equipment.

Safety and Notes

- Do not connect directly to VAC power. This controller requires 12 VDC or 24 VDC power supply.
- Do not exceed max load of 8 A per channel. Overloading the controller may cause overheating, shorting, and possible failure of controller.
- Ensure power supply is not connected during any wiring or installation procedures.
- Do not expose the controller or remote to direct or indirect moisture.
- Always observe proper polarity when connecting wiring.

