

Important: Read all instructions prior to installation.

MiBoxer 2.4 GHz Wi-Fi Multi Zone RGBW Controller and Remote

Parts Included

- 1 - 2.4GHz Wi-Fi Compatible RGB Controller
- 1 - 2.4GHz Sync-able Multizone RF Touch Color Remote
- 1 - Double-sided Tape

RF Remote



Button	Functions
	Master On(-)/Off(O) A master On(-)/Off(O) control for all zone-linked RGB LEDs. Also activates the "Master" function, which allows control of all zones.
COLOR WHEEL	Directly select color on wheel from any mode or color selection by touching the color wheel. Rotate finger around to fine tune desired color.
	Brightness Touch Slider - Increase(Right Side)/Decrease (Left Side) Increases (right side) or decreases (left side) the brightness level. Changing the active mode resets the brightness level to full.
	Mode Speed - Increase(S+)/Decrease (S-) Increases (S+)/Decreases(S-) the tempo of the mode pattern currently active.
	Mode Start/Scroll (M) Modes feature different color combinations, light transitions, and patterns, with 9 distinct modes. This button initiates the Mode function and scrolls through the modes in rotating order.
	Zone ON(I) / OFF(O) Allows up to four "zones" (i.e. channels) of RGB LEDs to be separately linked and controlled by the remote. Pressing one of the Zone ON(I) buttons activates that zone; commands will affect only lights in that zone.

General Description

LDRF-RGB-MZ three channel RGB (Red, Green, and Blue) LED controller with color touchwheel for directly selecting a wide range of colors.

Control up to four separate "zones" of RGB lights to be linked and controlled by one wireless remote.

Offers 9 dynamic modes with adjustable brightness, speed and mode retention (controller resumes modes with the settings previously selected).

Instructions

Pre-test & Configure

May be used with RGB strips, bars, modules or other LED products. Connect LEDs to power supply and controller (see "Method 1" diagram).

Turn on LEDs using the included remote controller to ensure proper operation of the LEDs, power supply, controller, and remote.

Choose a suitable dry location for the power supply and controller. Before double-sided tape is used on controller, ensure all surfaces are clean and dry.

White Mode

- For all zones, press and hold the "Master ON button", until LEDs turn white. Brightness is adjustable and master mode is active.
- For individual zones, press and hold the "Zone ON button" for the zone you want to control, until LEDs turn white. Brightness is adjustable and the last zone turned white is active.



Static Color Mode

- For all zones, press the "Master ON button" once, to activate master mode. Use the color wheel to directly select a color. Brightness is adjustable.
- For individual zones, press the "Zone ON button" once for the zone you want to control. Use the color wheel to directly select a color. Brightness is adjustable.



Controller Pairing

The LDRF-RGB-MZ features RF remote to controller device pairing to help eliminate interference from other nearby units. If you wish to control several controller devices from a single RF remote, the controllers first must be re-programmed.

The easiest and fastest way to re-program several controller devices at once is to have them share a power supply or all plug in to a single power strip.

Once programmed you can provide power as you would otherwise, sharing is only needed for the programming phase to ease the process -- Re-programming can be done one device at a time also.

Controller Pairing:

Pairing a remote to a controller:

- Wire all controllers to one power supply or power strip and turn the power off.
- Turn on the power supply or power strip and press the "Zone ON button" once within 3 seconds for the zone you wish to pair.
- If successful the LED product will flash twice slowly.
- If the LED product flashes nine times quickly or not at all, repeat steps one and two.



Unpairing a remote to a controller:

- Wire the controller to a power supply or power strip and turn the power off.
- Turn on the power supply or power strip and press and hold the "Zone ON button" once within 3 seconds for the zone you wish to unpair.
- If successful the LED product will flash nine times quickly.
- If the LED product flashes twice slowly or not at all, repeat steps one and two.

Pairing Note:

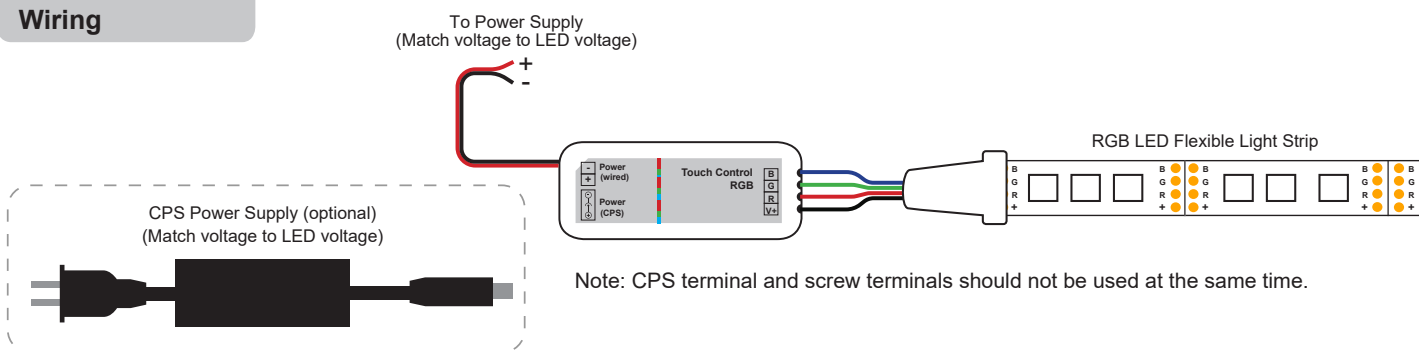
- One remote can be paired to any number of controllers.
- One controller can be paired to up to four remotes.



Important: Read all instructions prior to installation.

MiBoxer 2.4 GHz Wi-Fi Multi Zone RGBW Controller and Remote

Wiring



Specifications

Type	3 Channel
Input Voltage	12~24 VDC
Output	6 Amps / Ch
Total Output	18 Amps
Max Wattage	216W (12V) / 432W (24V)
Operating Temp	-25°C ~ 60°C
Controller Size	L3.3in x W1.7in x D.9in (86 x 45 x 23mm)
Controller Weight	55g (1.94oz)
Frequency	2.4GHz
FCC ID	2AFRVFC24GRMT4
Batteries	2 x AAA

FCC Statement

This device complies with part 15 of the FCC Rules. Operation is subject to the following two conditions: (1) This device may not cause harmful interference, and (2) This device must accept any interference received, including interference that may cause undesired operation. Any changes or modifications in construction of this device which are not expressly approved by the party responsible for compliance could void the user's authority to operate the equipment.

Modes List

Mode	Function	Brightness	Speed Controls	Description
1	RBGW Fade In/Out	Adjustable	Not adjustable	Red, green, blue and white fade in/out in a set cycle.
2	Seven Color Flash	Adjustable	Adjustable	Red, green, blue, yellow, magenta, cyan, and white
3	Disco	Adjustable	Adjustable	Red, green, blue, white, purple, and yellow cycle in rotation with random transitions
4	Red Fade In and Flash	Adjustable	Adjustable	Red brightens to full brightness, then flashes 3 times
5	Green Fade In and Flash	Adjustable	Adjustable	Green brightens to full brightness, then flashes 3 times
6	Blue Fade In and Flash	Adjustable	Adjustable	Blue brightens to full brightness, then flashes 3 times
7	*Color Fade In/Out and Flash	Adjustable	Adjustable	Multiple colors fade in/out and then flash randomly
8	Six Color Fade	Adjustable	Adjustable	Red, green, blue, yellow, magenta, and cyan fade in/out
9	White Fade In/Out	Adjustable	Adjustable	White flashes continuously

* Mode 7 cycles through modes 1-9 starting with 8

Safety

- DO NOT connect controller or LEDs directly to 120V AC power. This controller requires a 12V or 24V DC power supply.
- DO NOT exceed max load of 18 Amps, overloading the controller may cause overheating, shorting, and possibly failure of controller.
- Be sure the power supply is not plugged into an outlet before connecting or disconnecting any of the systems components.
- DO NOT expose the controller or remote strip to direct or indirect moisture.
- Always observe proper polarity when connecting power and load.

