

LCS15 Series

LED Canopy Light Specifications

Project _____

Date _____ Type _____



LCS15-50K150-SHSWH

Features

- 100-277 VAC
- 80+ CRI
- L70 rated 50,000 hour lifetime
- IP65 rated water resistance

Construction

Manufactured with a durable aluminum housing and feature a shatter-resistant tempered glass lens.

Application

Easily replaces inefficient metal-halide fixtures such as those found in gas stations, storefronts, workshops, and other places where a canopy light solution is required.

Output Equivalencies

LCS15-50K150-SHSWH	400 W metal-halide
--------------------	--------------------

Certifications and Compliances

These lights are UL Listed in compliance with UL 1598 (IFAM) and are also listed as DLC Premium.



Warranty

Five (5) Year Warranty

Available Models¹

- LCS15-50K150-SHSWH

Part Number Breakdown

Example: LCS15-50K150-SHSWH

Family	Color Temperature	Wattage	Lens	Finish
LCS15	50K [5000K]	150 [150 W]	SHS [clear, striped]	WH [white]

Notes



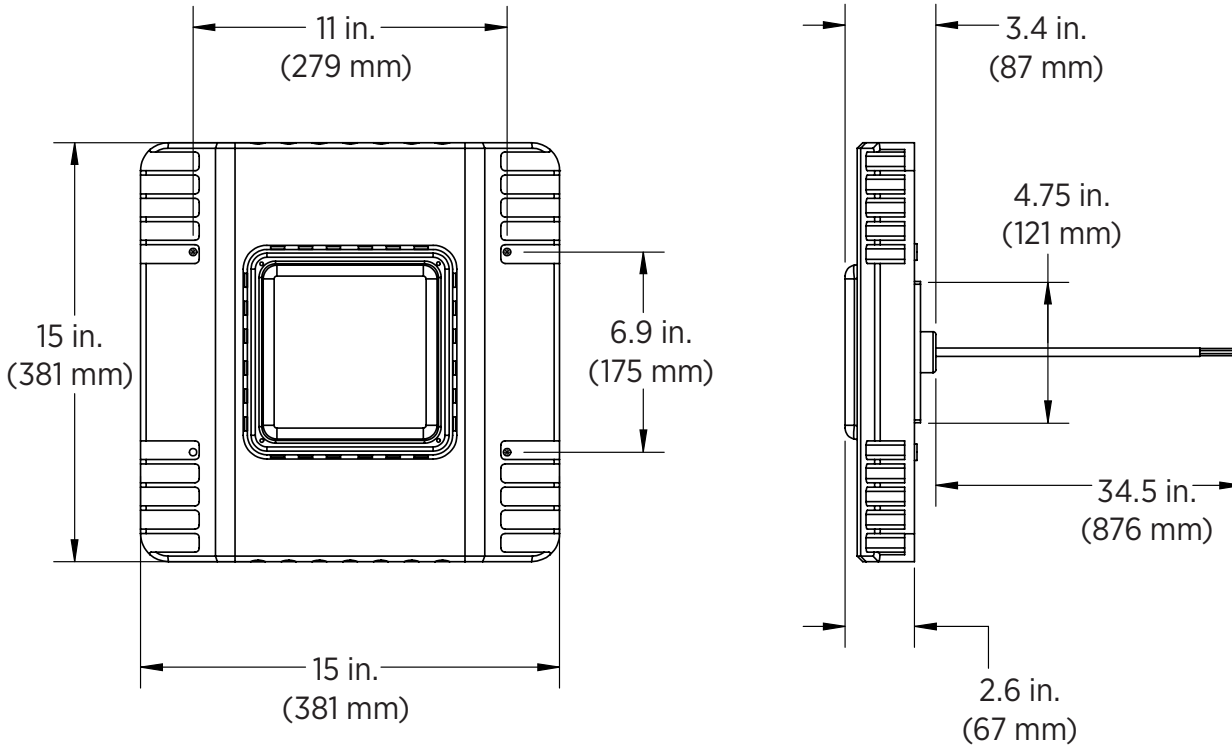
T 314.743.3067
 F 314.972.6202
 email: commercial-sales@superbrightleds.com
 www.superbrightleds.com/cat/industrial-led-lighting/

¹Contact customer service if interested in options other than those listed.

LCS15 Series

LED Canopy Light Specifications

Dimensional Drawing



Specifications

Model	LCS15-50K150-SHSWH
Intensity	19,050 lm
Operating Voltage	100-277 VAC
Power Consumption	150 W
Current Draw	1.25 A @120 VAC
Efficacy	127 lm/W
Color Temperature	5000K
Beam Angle	120°
CRI	80+
Dimming	none
IP Rating	IP65
Ambient Operating Temperature	-40°-113° F (-40°-45° C)
Product Weight	10.1 lb (4.6 kg)
Rated Life (L70)	50,000 hours

