

**Parts needed to mount the PDS-ZM extrusion**



Extrusion (A)



LED strip (B)



Cover (C)



End caps (D)



Spring (E)

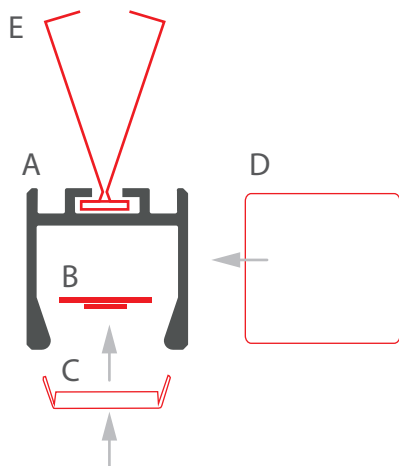
**Tools needed for mounting:**

- mounting glue

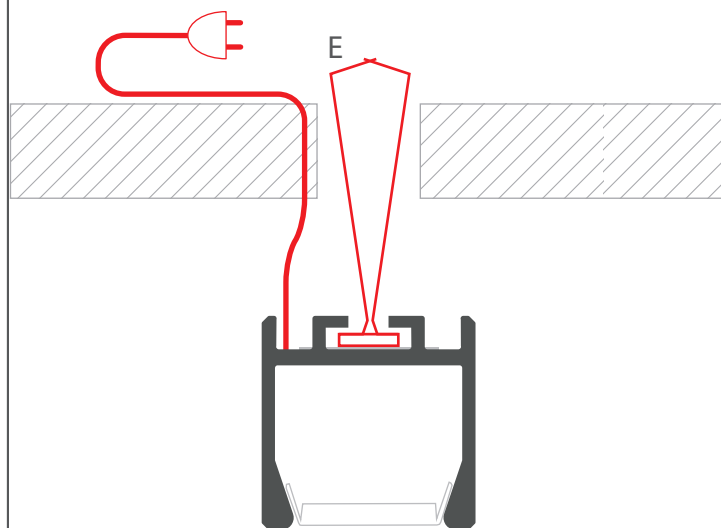
**WARNING!** All LED strips should be connected to a 12 V or 24 V power supply.

**IMPORTANT:** The mounting instructions present the basic form of assembly. More methods and related accessories can be found at [www.KlusDesign.com](http://www.KlusDesign.com)

**1.** Install the LED strip (B) in the extrusion (A), insert the cover (C), end caps (D) and slide the springs (E) into the extrusion.



**2.** Connect the power cable. Insert the springs (E) into the holes.



**3.** Push the extrusion to the surface.

