

Parts needed to mount the PDS-H extrusion



Mounting bracket (A)



Extrusion (B)



LED strip (C)



Cover (D)



End cap (E)

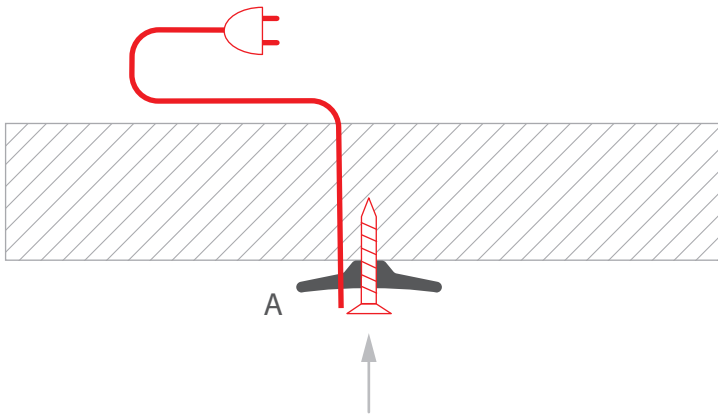
Tools needed for mounting:

- screwdriver

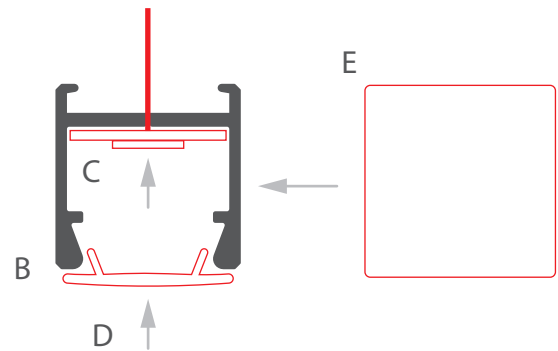
WARNING! All LED strips should be connected to a 12 V or 24 V power supply.

IMPORTANT: The mounting instructions present the basic form of assembly. More methods and related accessories can be found at www.KlusDesign.com

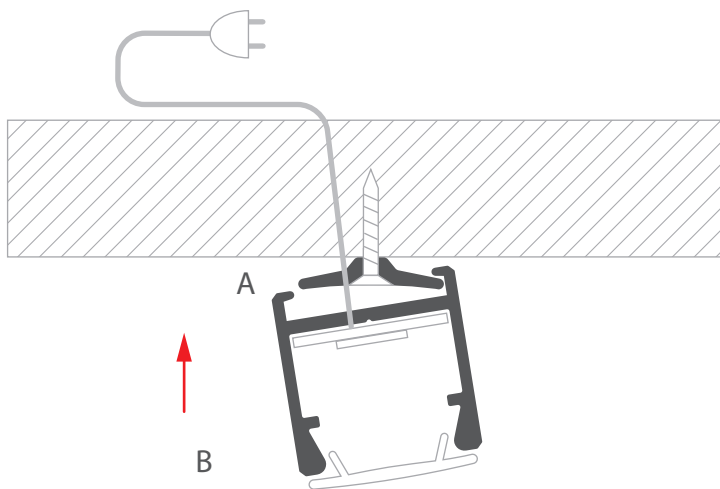
1. Feed the power cable. Attach the mounting bracket (A) to the surface with screws. It is recommended to use the fasteners at a distance of about 50 cm from each other, but not less than 2 pieces for one section of the fixture.



2. Install the LED strip (C) in the extrusion (B), insert the cover (D) and the end caps (E).



3. Connect power to the LED strip and mount the extrusion (B) in the mounting brackets (A).



NOTE! Unusual disassembly of the extrusion. Move the extrusion (B) horizontally, gently pull one of the sides of the extrusion (B) down, and take the extrusion off the mounting brackets (A).

