

- 1.1 KRAV-05IN profile (item 1.1)
 - 1.2 KRAV-05IN profile (item 1.2)
 - 1.3 Silicone cord
 - 2.1 End cap (item 2.1)*
 - 2.2 End cap (item 2.2)*
 - 3. Gland*
 - 4. LED strip*
 - 5. Power supply (12 V / 24 V)*
 - 6. Glass/plastic**
- (Ref. 18045)

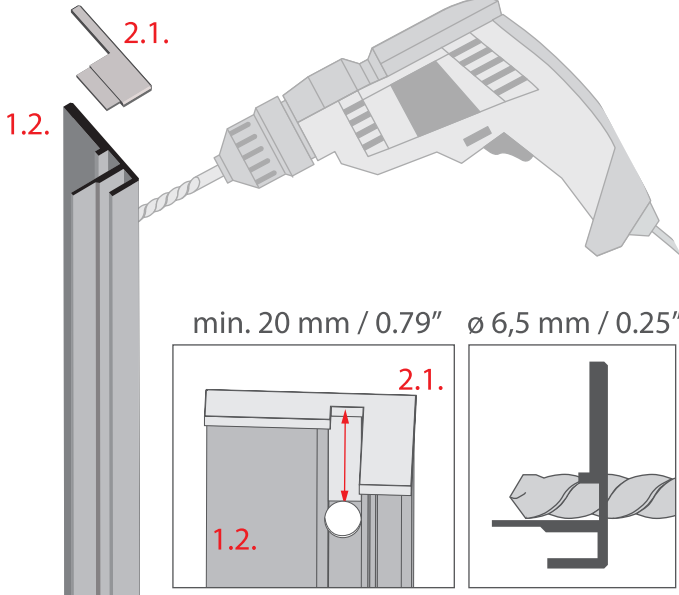
*The full range of accessories and electronics is available at www.KlusDesign.com

**The width of the sheet can range from 11.9 mm (0.47") to 13.5 mm (0.53").

NOTE! All LED strips must be connected to a 12 V or 24 V power supply.

WAŻNE: The manual does not present all methods of montage. Other related accessories with instructions of their mounting procedures available at www.KlusDesign.com. Drawings of extrusions and accessories in this manual are simplified and only approximately represent the real shapes.

I



2.1.

1.2.

min. 20 mm / 0.79" \varnothing 6,5 mm / 0.25"

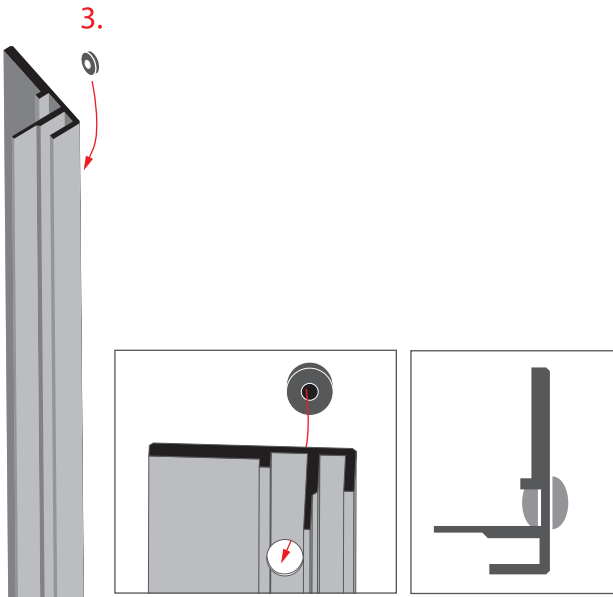
2.1.

1.2.

Drill a hole 6.5 mm / 0.25" in diameter in the KRAV-05IN profile (item 1.2) for the power cable.

The edge of the hole must be at least 20 mm / 0.79" from the edge of the profile to leave room for the mounting parts of the end cap (2.1).

II



3.

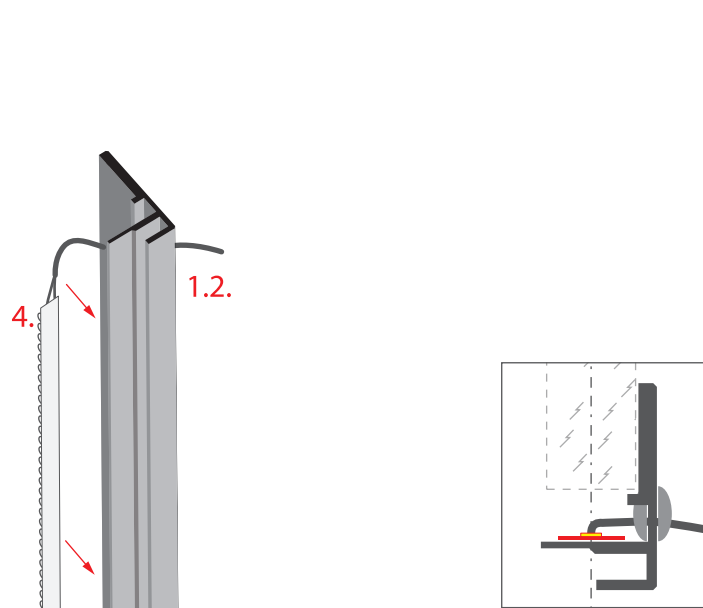
1.2.

3.

1.2.

Insert the gland (3) into the hole.

III



4.

1.2.

4.

1.2.

Mount the LED strip (4) in the KRAV-05IN profile (item 1.2).

Run the power cable from the LED strip through the gland.

IV

6.

1.2.

Peel off the red protective foil and glue item (1.2) to the edge of the glass or plastic (6) as shown in the drawing.

V

1.1.

1.2.

Peel off the red protective foil and glue item (1.1) to the edge of the glass or plastic as shown in the drawing.

Connect both items (1.1, 1.2) simultaneously.

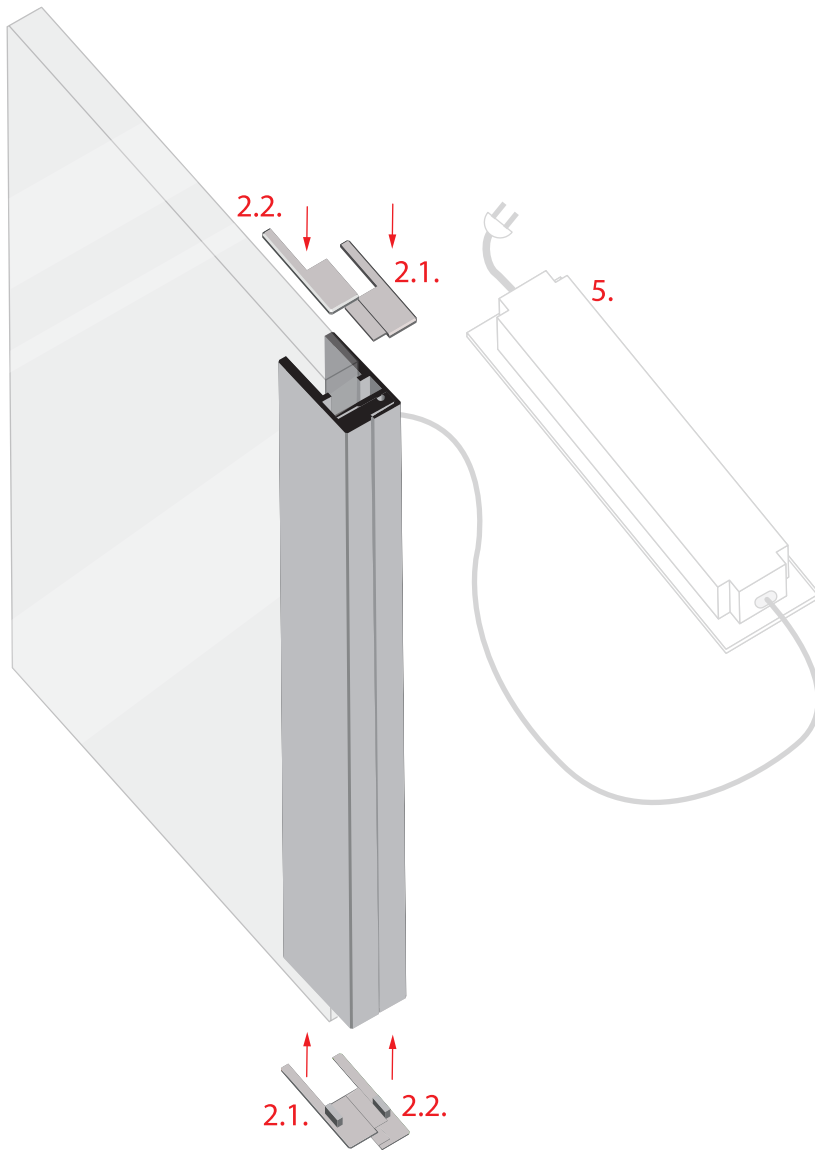
VI

1.3.

1.3.

Cut off the excess silicone cord (1.3).

VII



Put both end cap parts on both ends of the profile. First insert item (2.1), then item (2.2).

Connect power. The LED strip must be connected to a 12 V or 24 V power supply (5).