

Parts needed to mount the GLAD 45 extrusion



Extrusion (A)



End cap (B)



Cover (C)



LED strip (D)

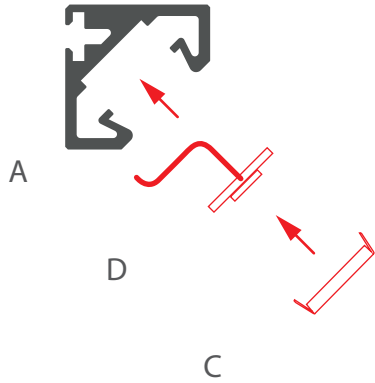


Spring (E)

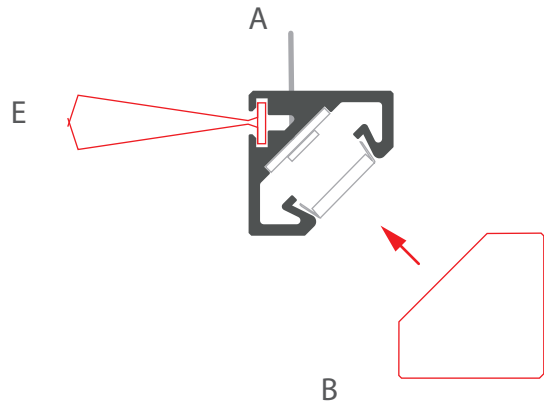
NOTE! All LED strips must be connected to a 12 V or 24 V power supply.

IMPORTANT: The manual presents the simplest mounting procedure.
More mounting procedures and related accessories can be found at klusdesign.com

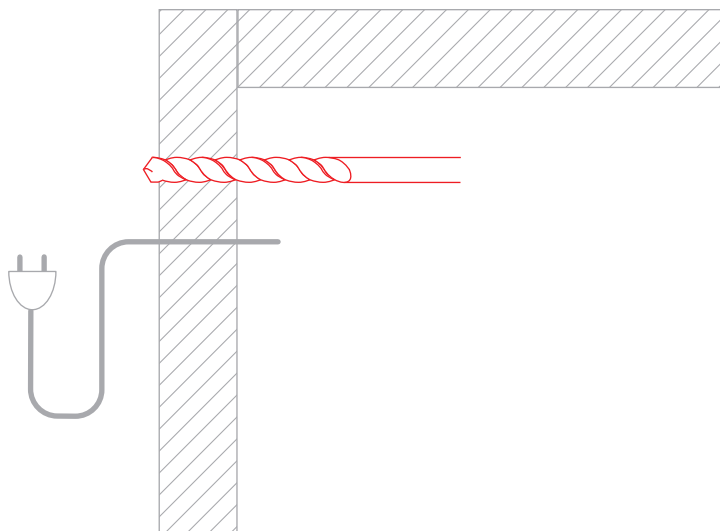
1. Mount the LED strip (D) and insert the cover (C).



2. Slide the spring (E) into the extrusion, and then insert the end cap (B).



3. Drill $\varnothing 10$ mm holes for the springs (A) and to lead out the power cable.



4. Mount the extrusion (A) in the drilled holes, and connect power.

