

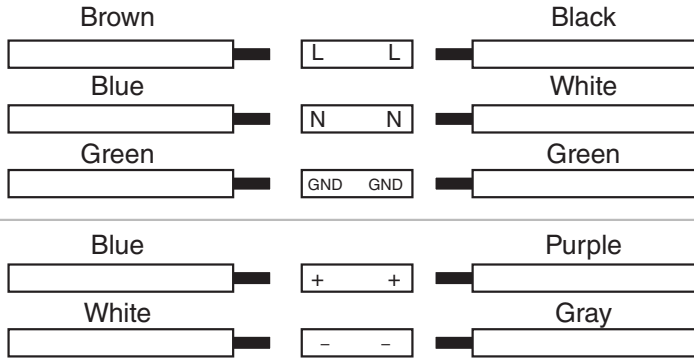
*Important: Read all instructions prior to installation.*

**HBUD Series 480 Volt LED UFO High Bay**

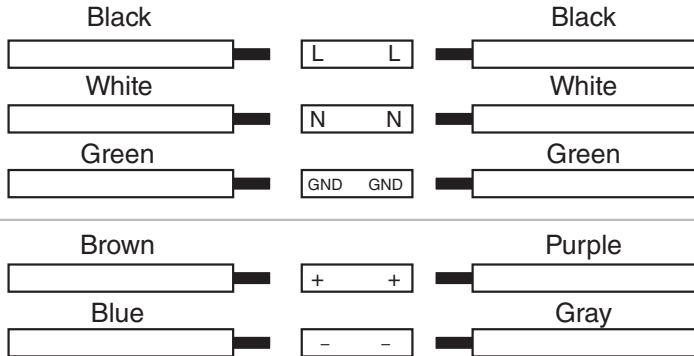
HBUD 480 Volt Series

**Wiring Diagram**

**100–300 W**



**400–500 W**



**HBUD Series High Voltage LED UFO High Bay**

**User Manual**

Part Number:  
HBUD 480 Volt Series



HBUD-50K300-C-26P1 with Optional Bracket



Important: Read all instructions prior to installation.

HBUD 480 Volt Series

**HBUD Series 480 Volt LED UFO High Bay**

**Included Parts**

- |                           |   |
|---------------------------|---|
| <b>100–300 W</b>          | <b>400–500 W</b>                            |
| 1 - high bay light        | 1 - high bay light                          |
| 1 - eye bolt              | 1 - u-bracket                               |
| 1 - washer (for eye bolt) | 4 - bolts (for u-bracket, 6mm internal hex) |

**Optional Accessories**

- 100–300 W**  
 PC reflector (HBUD-8-PR)  
 U-Bracket (HBUD-8-UB) with hardware
- 400–500 W**  
 PC reflector (HBUD-12-PR) with hardware  
 90 Degree Lens (HBUD-12-90)

**Specifications**

Product	HBUD-50Kx-C-x
Operating Voltage Range	200–480 VAC
Beam Angle	120 degree
Operating Temperature	-22–122°F (-30–50 °C)
IP Rating	Weatherproof IP65
Dimmable	1–10 V
Standards and Certifications	CE, RoHS, UL, FCC

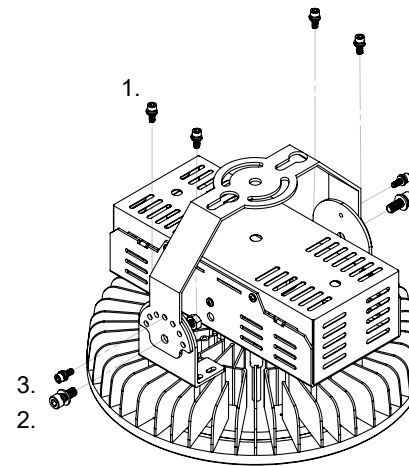
**Safety and Notes**

- This product should be installed by a certified electrician in accordance with applicable national, state, and local building and electrical codes.
- To reduce the risk of electric shock, ensure that the main power source and circuit breakers are switched off before performing any installation or wiring procedures.
- Avoid looking directly into the lamp when illuminated.
- Ensure all mounts are securely attached and will support the weight of the fixture. Failure to properly support the fixture may result in damage or injury, for which the manufacturer does not assume responsibility.

**Eye Bolt Installation Instructions (100–300W only)**

1. Insert Eye Bolt and Washer into threaded hole on top of fixture and tighten. Hang fixture by attaching Eye Bolt to an existing hook or carabiner.
2. Connect the fixture wires to the corresponding wires in the junction box (not included).

**Optional U-Bracket Installation (100–300W only)**

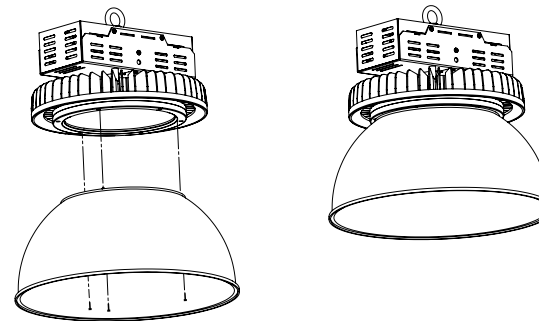


Note: Step 1 and 3 require a 4 mm hex driver/key and step 2 requires a 6 mm hex driver/key.

**U-Bracket Angle Adjustment**

1. Remove top bolt—with light facing down—on each side where U-Bracket connects (4 mm hex on 100–300 W, 6 mm hex on 400 W and 500 W).
2. Adjust to desired angle and reinstall bolts.

**PC Reflector Installation**



Note: On 400 W and 500 W models, three of the existing screws will need to be removed and replaced with the longer supplied screws.

**90 Degree Lens Installation (400–500W only)**

1. Remove fixture and lay on its side. Remove 6 screws from bottom of fixture in order to remove aluminum trim ring.
2. Remove rubber ring from included 120 degree lens. Attach rubber ring to 90 degree lens.
3. Align lens with fixture and secure by screwing 6 screws into aluminum trim ring.

