

Project Name \_\_\_\_\_

Date \_\_\_\_\_

Type \_\_\_\_\_



**Features**

- 100-277 VAC ballast bypass design
- Bulb design projects more light downward compared to standard metal-halide bulbs
- Constructed with an aluminum LED-cooling heat sink and shatterproof polycarbonate lens
- UL Classified and UL Listed to work with new and retrofit installations
- 50,000 hour lifetime (L70 rated)
- Built-in 4 kV surge protection and overheating protection

**Application**

Replaces less efficient metal-halide and high-pressure sodium bulbs and bypasses ballasts while retaining existing high bay fixture. The base of this bulb is compatible with E39 and EX39 fixtures.

**Output Equivalencies**

HBR-xK100-EX39	320 W MH bulb*
HBR-xK120-EX39	400 W MH bulb*
HBR-xK150-EX39	≥400 W MH bulb*

\*ballast bypass required

**Warranty**

Five (5) Year Warranty

**Certifications and Compliances**

DesignLights Consortium listed as DLC Standard, UL Listed for damp or dry locations, and RoHS compliant.



**Available Models<sup>1</sup>**

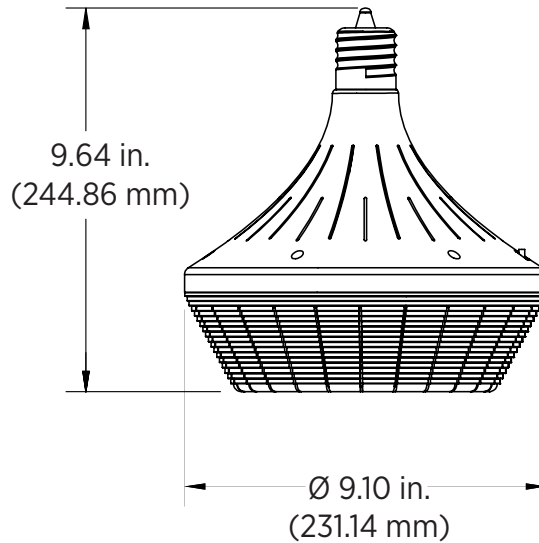
- HBR-57K100-EX39
- HBR-57K120-EX39
- HBR-57K150-EX39

**Part Number Breakdown**

Example: HBR-57K100-EX39

Family	Color Temperature	Wattage	Base Type
HBR	57K [5700K]	100 [100 Watt] 120 [120 Watt] or 150 [150 Watt]	EX39 [EX39 base]

**Dimensional Drawing**



**Notes**

<sup>1</sup>Contact customer service if interested in options other than those listed.



## LED Retrofit Highbay Bulb

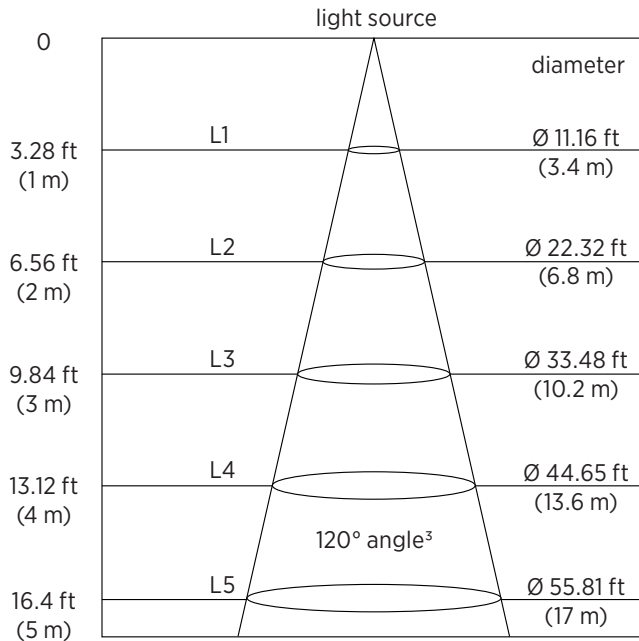
HBR Series Specifications

### Specifications

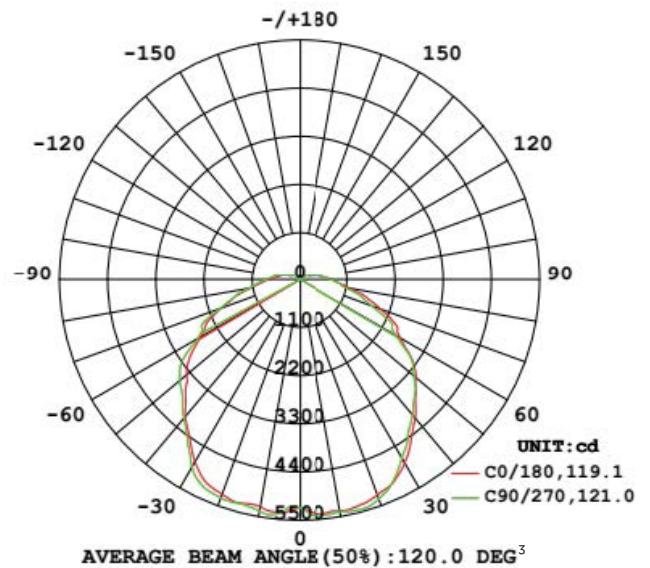
Model HBR-	57K100-EX39	57K120-EX39	57K150-EX39
Intensity <sup>2</sup>	13,000 lm	16,000 lm	20,000 lm
Operating Voltage	100-277 VAC		
Power Consumption	100 W	120 W	150 W
Current Draw	830 mA	1 A	1.25 A
Efficacy <sup>2</sup>	130 lm/W	133 lm/W	
Color Temperature	5700K		
Beam Angle	180°		
CRI	≥80		
Power Factor	≥90		
Dimming	not dimmable		
IP Rating	IP40		
Ambient Operating Temperature	-40°-113° F (-40°-45° C)		
Weight	3.5 lb (1.6 kg)		
Rated Life (L70)	50,000 hours		

### Optics

#### Illuminance Cone Diagram



#### Polar Light Intensity Distribution Diagram



Model HBR-	xK100-EX39	xK120-EX39	xK150-EX39
Light Intensity <sup>2</sup>	13,000 lm	16,000 lm	20,000 lm
L1 <sup>2</sup>	4,138 lux	5,093 lux	6,366 lux
L2 <sup>2</sup>	1,035 lux	1,273 lux	1,592 lux
L3 <sup>2</sup>	460 lux	566 lux	707 lux
L4 <sup>2</sup>	259 lux	318 lux	398 lux
L5 <sup>2</sup>	166 lux	204 lux	255 lux

<sup>2</sup>Measured intensity will vary depending on the type of fixture used in conjunction with the bulb.

<sup>3</sup>Based on specific fixture used in testing.

