

## HBR Series

LED Retrofit Highbay Bulb Specifications

Project Name \_\_\_\_\_

Date \_\_\_\_\_

Type \_\_\_\_\_



### Features

- 100–277 VAC ballast bypass design
- Bulb design projects more light downward compared to standard metal-halide bulbs
- UL Classified and UL Listed to work with new and retrofit installations
- 50,000 hour lifetime (L70 rated)
- Built-in 4 kV surge protection and overheating protection

### Application

Replaces less efficient metal-halide and high-pressure sodium bulbs and bypasses ballasts while retaining existing high bay fixture. The base of this bulb is compatible with E39 and EX39 fixtures.

### Output Equivalencies

HBR2-xK100C-EX39	320 W MH bulb*
HBR2-xK120C-EX39	400 W MH bulb*
HBR2-xK150C-EX39	400 W MH bulb*

\*ballast bypass required

### Warranty

Five (5) Year Warranty

### Certifications and Compliances

DesignLights Consortium listed as DLC Standard, UL Listed for damp or dry locations, and RoHS compliant.



### Available Models<sup>1</sup>

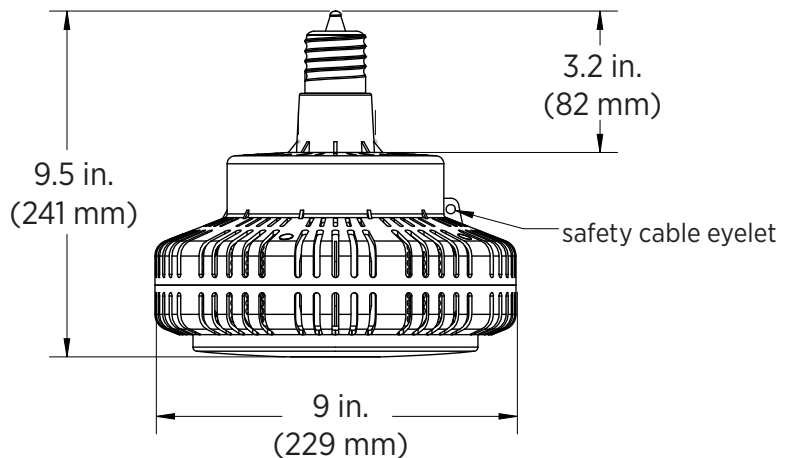
- HBR2-50K100C-EX39
- HBR2-50K120C-EX39
- HBR2-50K150C-EX39

### Part Number Breakdown

Example: HBR2-50K100C-EX39

Family	Color Temperature	Wattage	Base Type
HBR	50K [5000K]	100C [100 W] 120C [120 W] or 150C [150 W]	EX39 [EX39 base]

### Dimensional Drawing



<sup>1</sup>Contact customer service if interested in options other than those listed.



T 314.743.3067

F 314.972.6202

email: commercial-sales@superbrightleds.com

www.superbrightleds.com/cat/industrial-led-lighting/

# HBR Series

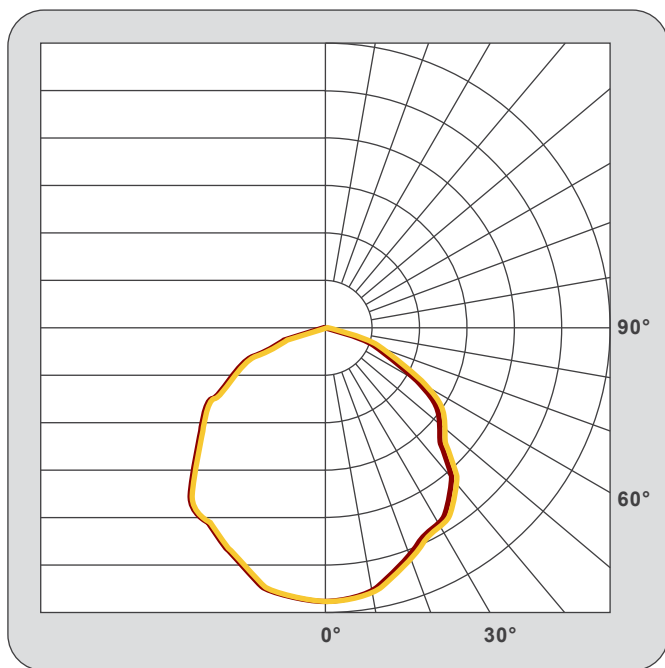
## LED Retrofit Highbay Bulb Specifications

### Specifications

Model <b>HBR2-</b>	<b>50K100C-EX39</b>	<b>50K120C-EX39</b>	<b>50K150C-EX39</b>
Intensity <sup>2</sup>	12,000 lm	15,000 lm	18,000 lm
Operating Voltage	100-277 VAC		
Power Consumption	100 W	120 W	150 W
Current Draw	833 mA	1 A	1.25 A
Efficacy <sup>2</sup>	120 lm/W	125 lm/W	120 lm/W
Color Temperature	5000K		
Beam Angle	120°		
CRI	80+		
Power Factor	≥0.9		
Dimming	not dimmable		
IP Rating	IP64		
Ambient Operating Temperature	-4°-113° F (-20°-45° C)		
Weight	2.75 lb (1.25 kg)	2.9 lb (1.32 kg)	3.05 lb (1.38 kg)
Rated Life (L70)	50,000 hours		

### Optics

Polar Light Intensity Distribution Diagram



### Notes

<sup>2</sup>Measured intensity will vary depending on the type of fixture used in conjunction with the bulb.

