

## GPI Series

LED Indicator/Pilot Warning Lights

Project \_\_\_\_\_

Date \_\_\_\_\_ Type \_\_\_\_\_



### Available Models<sup>1</sup>

Flashing

GPI-RYG50-B24F-PT

Solid/Continuous

GPI-RYG50-B24S-PT

### Part Number Breakdown

Example: GPI-RYG50-B24F-PT

Family	LED Colors	Diameter	Finish	Voltage	Light Pattern	Connection
<b>GPI</b>	<b>RYG</b> [red, yellow, and green]	<b>50</b> [50 mm]	<b>B</b> [black]	<b>24</b> [24 VDC]	<b>F</b> [flashing] or <b>S</b> [solid/continuous]	<b>PT</b> [pigtail]

### Description

GPI indicator lights are used to clearly show the operating status of machinery, switch control panels, equipment, and more. Red, yellow, and green LEDs are contained within one raised dome lens and are available in either continuous or flashing light versions. Both models have a built-in buzzer to provide audible signaling as well.

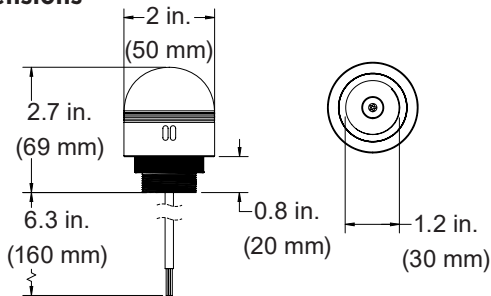
### Features

- 24 VDC input
- Black aluminum body and frosted polycarbonate lens
- 16 total LEDs—6 red, 5 yellow, and 5 green
- Built-in 85 dB buzzer
- 180° beam angle
- Two (2) year warranty

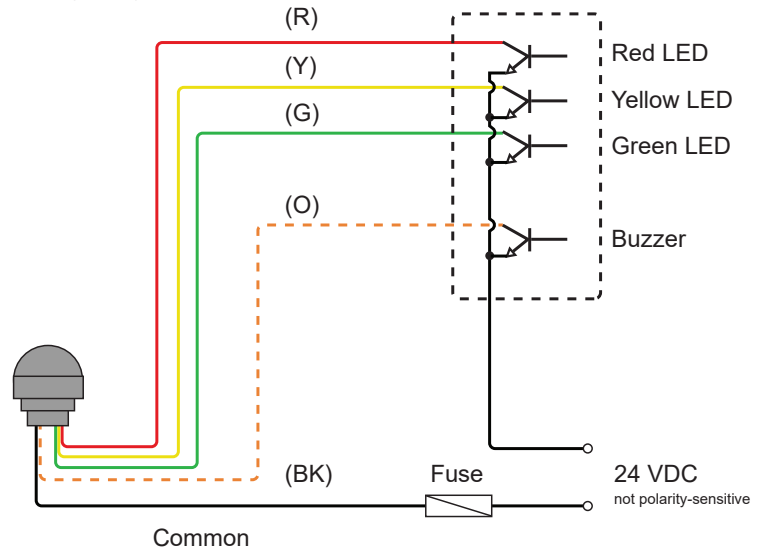
### Applications

These are an ideal solution for many industrial and manufacturing applications such as indicator and pilot lights, industrial machinery and equipment such as machine status indicators, safety and warning lighting, factories, and assembly lines.

### Dimensions



### Wiring Diagram



As shown, lights can use each color independently or light multiple colors at once depending on desired function.

### Specifications

Model	GPI-RYG50-B24x-PT
Operating Voltage	24 VDC input
Power Consumption	1 W / color
Current Draw	42 mA / color
Lumen	Red: 17, Yellow: 29, Green: 28
Beam Angle	180°
Buzzer Volume	85 dB
IP Rating	IP30
Ambient Operating Temperature	-4°-113° F (-20°-45° C)
Product Weight	0.36 lb (163 g)
Rated Life (L70)	50,000 hours



T 314.743.3067

F 314.972.6202

email: commercial-sales@superbrightleds.com

www.superbrightleds.com/cat/industrial-led-lighting/

Rev V1 Date: 12/15/2020

Specifications are subject to change without notice.

Printed in the U.S.A.