

Important: Read all instructions prior to installation.

LED Warning Light with Buzzer

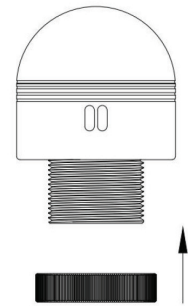


Safety and Notes

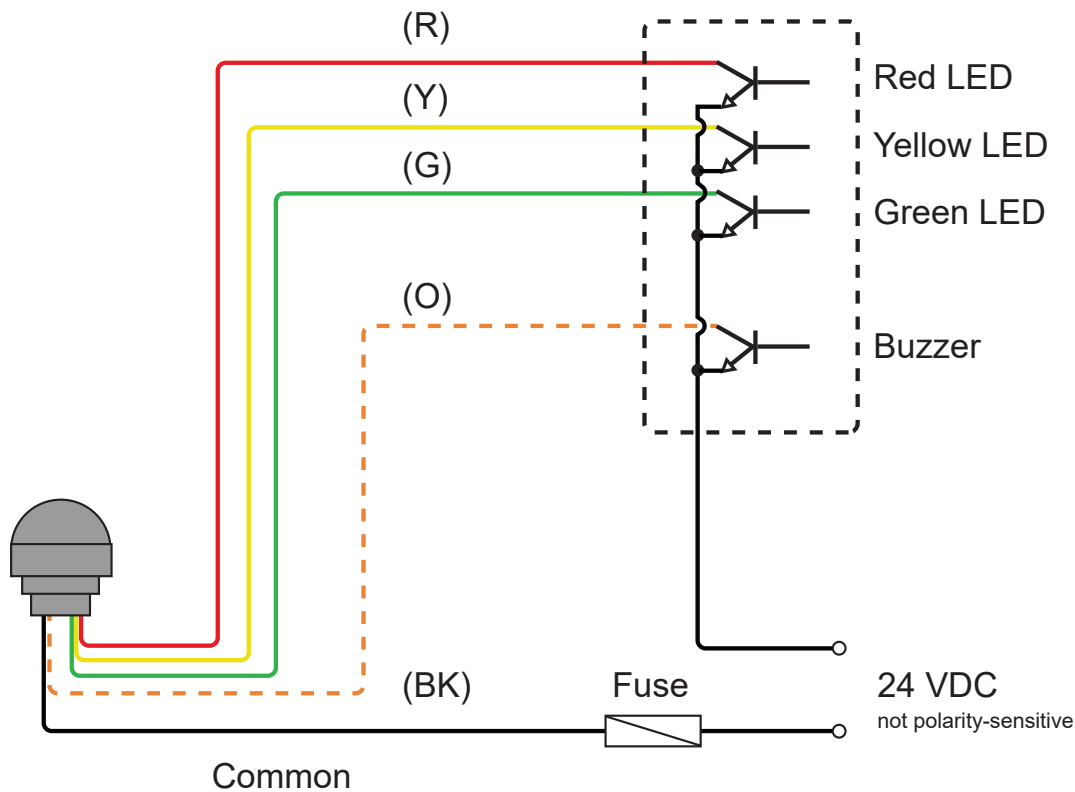
- Product should be installed and serviced in accordance with applicable national, state, and local building and electrical codes.
- To reduce the risk of electric shock, ensure that the main power source and circuit breakers are switched off before performing any installation or wiring procedures.
- Avoid looking directly into lamp when illuminated.

Installation

1. Remove supply power from circuit.
2. Cut mounting hole.
3. Connect wiring.
4. Mount light using capture nut to secure.
5. Apply supply power and check for proper function.



Wiring Diagrams



 Please wire according to the diagram

