

Important: Read all instructions prior to installation.

Gooseneck Barn Light

Installation

ADJUST FIXTURE ANGLE

Loosen Butterfly Bolt and swivel to adjust Lamp Shade and tighten when desired position is reached.

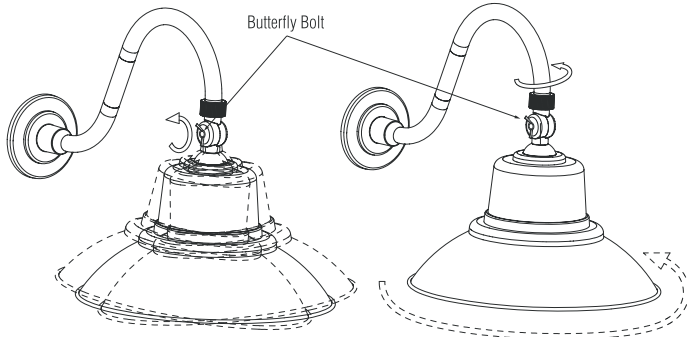
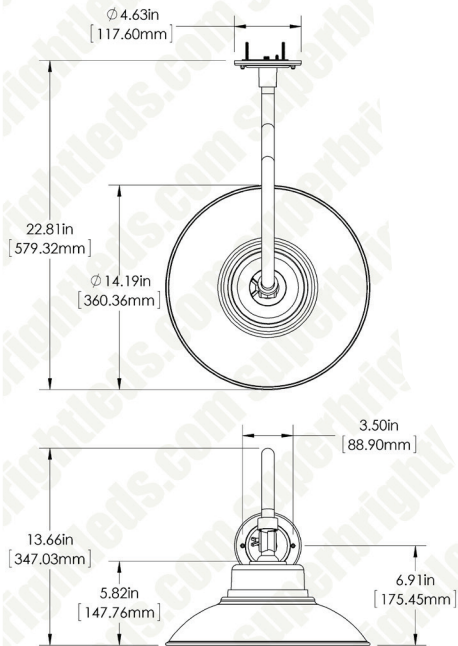


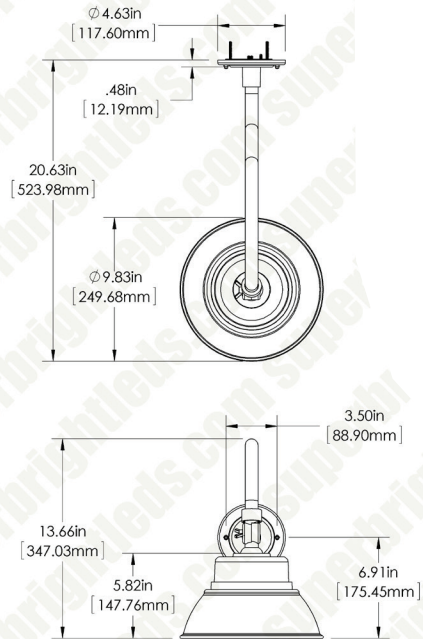
FIG. 3

Dimensions

GBL-xK42-BR



GBL-xK25-BR



**Gooseneck Barn Light
Installation Manual**

GBL-xK42-BR
GBL-xK25-BR



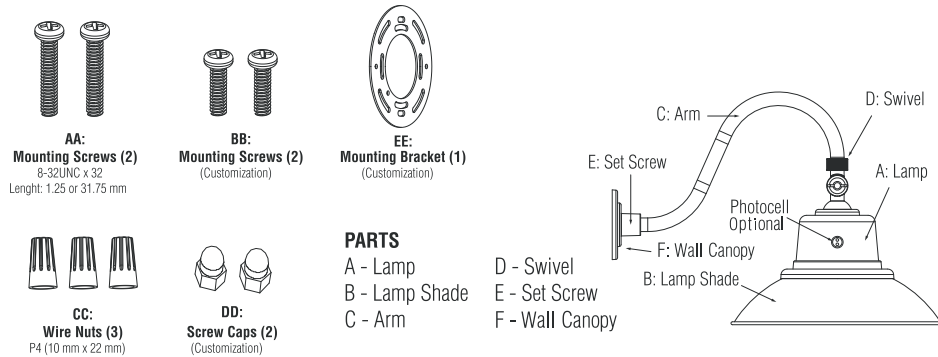
Important: Read all instructions prior to installation.

Gooseneck Barn Light

Specifications

GBL-xK42-BR / GBL-xK25-BR	
Operating Voltage Range	100~277 VAC
Fixture Weight	3 lbs / 2.15 lbs (1.36 / 0.981Kg)
Total Power Consumption	40.8 / 23.2 Watts
Operating Temperature	-4° ~ 104°F (-20° ~ 40°C)
Warranty	5 year

Included Parts



Safety and Notes

WARNING: Read all safety precautions and installation instructions before installing or servicing this fixture. Failure to comply with these instructions could result in electric shock and/or property damage.

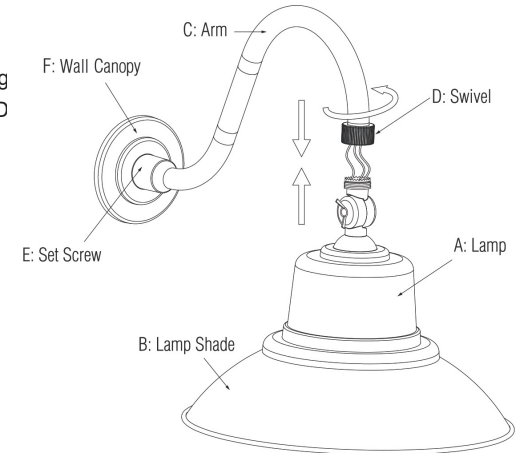
- To reduce the risk of electrical shock or other personal injury, ensure the power is turned OFF at the fuse or breaker box before making any electrical connections.
- Must be connected to 100~277 volt, 60 Hz power source.
- Fixture should be mounted to a grounded junction box.
- Do not use fixture with dimmer.
- Light should be installed by a qualified electrician or person experienced with household wiring. The electrical system, and method of electrical connection of the fixture, must be in accordance with the National Electrical Code and local building codes.

SUITABLE FOR WET LOCATIONS

Installation

PRE-ASSEMBLE FIXTURE

Feed Power Wires from Lamp (A) through Arm (C). Tighten Swivel (D) until snug. D not over tighten. (Figure 1)



ATTACH MOUNTING BRACKET (EE)

Attach MOUNTING BRACKET (EE) to Junction BOX using MOUNTING SCREWS (AA). (Figure 2)

MAKE POWER CONNECTIONS

Connect wires as shown. Tuck all wiring into junction box. (Figure 2)

ATTACH WALL CANOPY (F)

Place Wall Canopy over Junction Box and onto the fixture's Mounting Screws (BB). Mounting Screws should protrude enough to allow Screw Caps (DD) to hold Wall Canopy tightly against wall. (Figure 2) It is recommended to apply silicone caulk around edge of wall canopy to weatherproof.

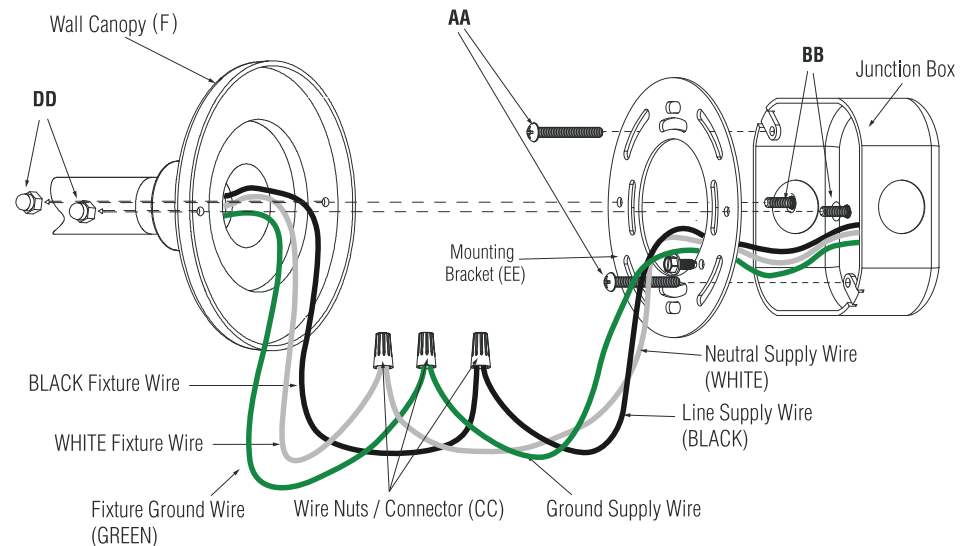


FIG. 2