

**Important: Read all instructions prior to installation.**

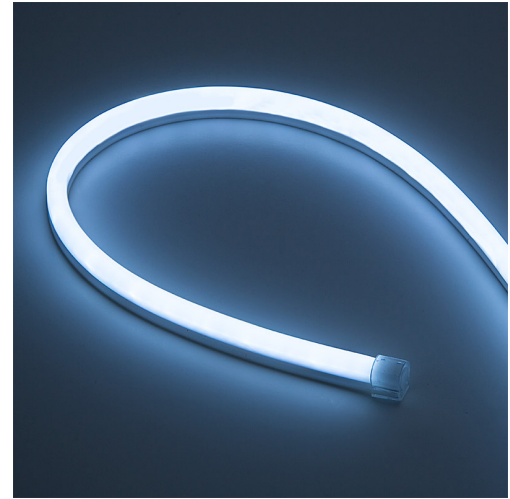
## Super Flexible LED Tube Light

### Summary

These LED Tube Lights can bend to fit your needs. Use for under-hood light, vehicle accent lighting, dark bends and footwells. Available In 5 colors, these LED neon replacements provide you with a flexible light to match curved surfaces. The lightweight 1' or 2' LED Tube Lights can be powered by a battery pack or 12V power source. Included mounting clips and screws allows easy installation.

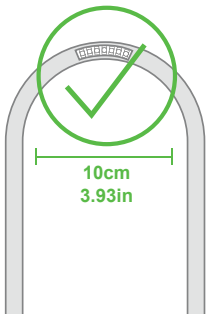
### Specifications

Operating Voltage	9~14.2 VDC
Current Draw	See table below
LED Lifetime	30000 Hours
Beam Angle	180 degree
LED Type	3528 SMD
Water Resistance	Weather Resistant IP63
Dimmable	Yes
Tube Width & Depth	11.7mm x 14.2mm (.46in x .56in)
Warranty	2 years

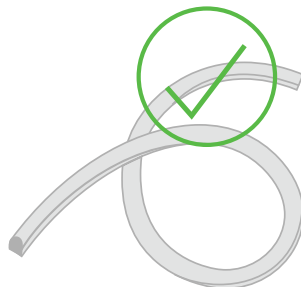


	Part NO	Number of LEDs in Unit	Total Length	Emitting Color	CCT/ Wavelength	Intensity Per Foot	Intensity	Current Draw @ Operating Voltage	Power Consumption	CRI
	FLT-CW12	72	12"	Cool White	10100 K	124 lm/ft	124 lm	300 mA	3.6 W	74
	FLT-CW24	144	24"	Cool White	9350 K	140 lm/ft	280 lm	600 mA	7.2 W	78
	FLT-B12	72	12"	Blue	470 nm	45 lm/ft	45 lm	300 mA	3.6 W	-
	FLT-B24	144	24"	Blue	466 nm	45 lm/ft	90 lm	450 mA	5.4W	-
	FLT-G12	72	12"	Green	520 nm	107 lm/ft	107 lm	300 mA	3.6 W	-
	FLT-G24	144	24"	Green	517 nm	112 lm/ft	225 lm	600 mA	7.2 W	-
	FLT-A12	72	12"	Amber	600 nm	130 lm/ft	130 lm	300 mA	3.6 W	-
	FLT-A24	144	24"	Amber	594 nm	131 lm/ft	265 lm	600 mA	7.2 W	-
	FLT-R12	72	12"	Red	632 nm	48 lm/ft	48 lm	290 mA	3.5 W	-
	FLT-R24	144	24"	Red	633	48 lm/ft	96 lm	600 mA	7.2 W	-

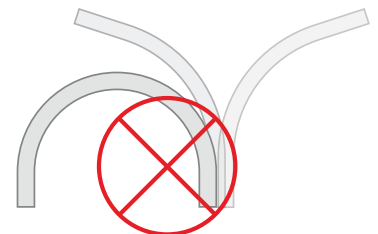
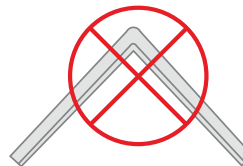
### Warnings



**NOTE: Do not bend flexible strips to a diameter less than 10cm on any individual plane.**



**NOTE: Do not bend flexible strips at sharp angles, this will damage circuit traces and void warranty.**

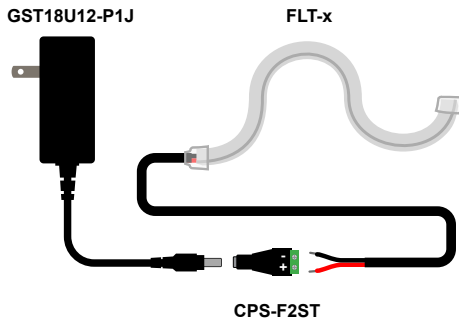


**NOTE: Repeated and continuous bending may damage the circuit traces and void warranty.**

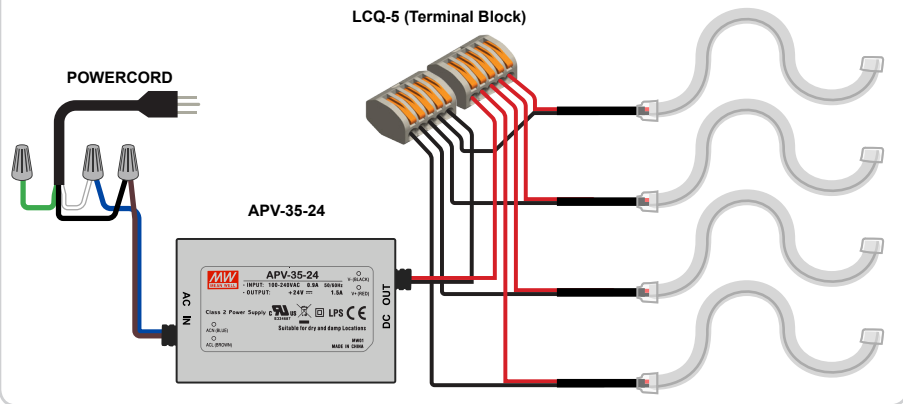
Important: Read all instructions prior to installation.

### Wiring Setup

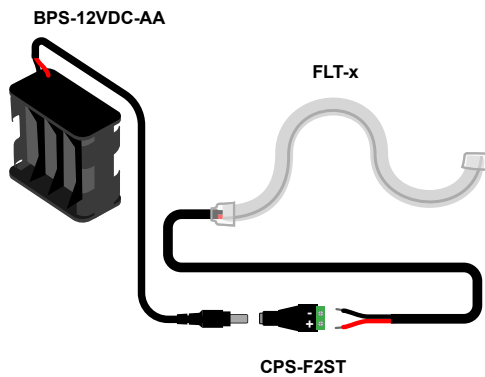
#### Example 1: Compact Power Supply



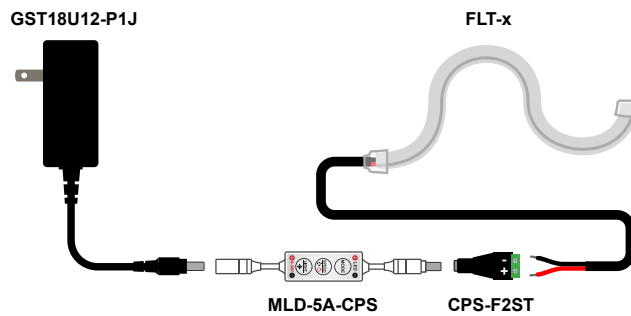
#### Example 2: Multiple Flexible Light Tube



#### Example 3: Battery Power Supply



#### Example 4: Flexible Light Tube with Controller



### Mounting Setup

