

## FLL Series

LED Spotlight/Flag Light Specifications

Project \_\_\_\_\_

Date \_\_\_\_\_ Type \_\_\_\_\_



FLL-AW50K50-DS30

### Features

- 120-277 VAC
- NEMA 3x3 (30° H x 30° V) beam pattern
- L70 rated 50,000 hour lifetime
- IP66 rated water resistance
- Optional photocell
- Included knuckle mount and glare shield

### Construction

Manufactured with a durable aluminum housing coated with a high durability brown (architectural bronze) finish.

### Application

Easily replaces inefficient metal-halide and halogen flag lights and landscape spotlights. The narrow beam pattern creates minimal glare and highlights landscape features and flags precisely for maximum emphasis.

### Suggested Flag Pole Height

FLL-AW50K29-D30 FLL-AW50K29-DS30	20-35 ft
FLL-AW50K50-D30 FLL-AW50K50-DS30	35-50 ft

### Certifications and Compliances

These lights are UL Listed in compliance with UL 1598 (IFAM).



T 314.743.3067

F 314.972.6202

email: commercial-sales@superbrightleds.com

www.superbrightleds.com/cat/industrial-led-lighting/

### Available Models<sup>1</sup>

standard models

FLL-AW50K29-D30

FLL-AW50K50-D30

photocell-equipped models

FLL-AW50K29-DS30

FLL-AW50K50-DS30

### Part Number Breakdown

Example: FLL-AW50K50-DS30

Family	Input Voltage	CCT	Wattage	Version	Beam Angle
FLL	AW [120-277 VAC]	50K [5000K]	29 [29 W]	D [standard]	30 [30°]
			50 [50 W]	DS [photocell- equipped]	

### Specifications

Model	FLL-AW50K29-D30/ FLL-AW50K29-DS30	FLL-AW50K50-D30/ FLL-AW50K50-DS30
Intensity	3,200 lm	5,100 lm
Operating Voltage	120-277 VAC	
Power Consumption	29 W	50 W
Current Draw	242 mA @120 VAC	417 mA @120 VAC
Efficacy	≥110 lm/W	≥102 lm/W
Color Temperature	5000K	
Beam Angle	NEMA 3x3 (30° horizontal x 30° vertical)	
CRI	80+	
Dimming	none	
IP Rating	IP66	
Ambient Operating Temperature	-40°-131° F (-40°-55° C)	
Rated Life (L70)	50,000 hours	

### Warranty

Five (5) Year Warranty

### Photometrics

A separate, comprehensive photometric data sheet is available on the SBL site for download.

<sup>1</sup>Contact customer service if interested in options other than those listed.

<sup>2</sup>Available on 70 W and 90 W versions only.

Rev V1 Date: 6/12/2020

Specifications are subject to change without notice.

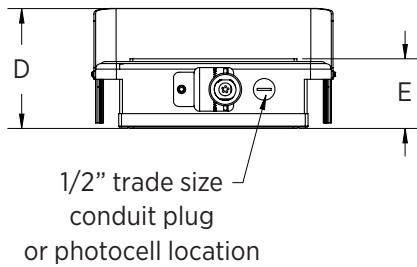
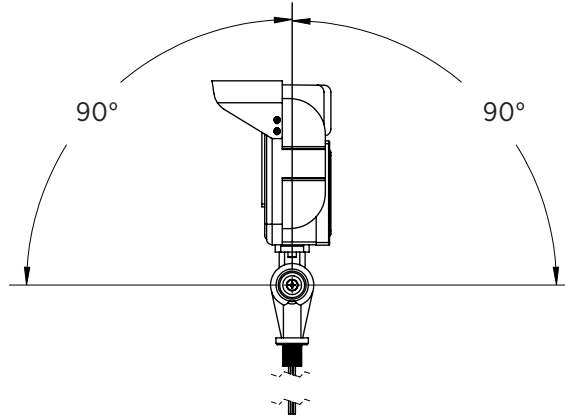
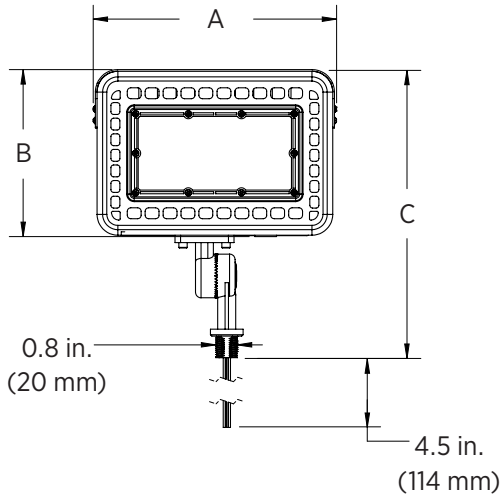
Printed in the U.S.A.

## FLL Series

LED Spotlight/Flag Light Specifications

### Dimensional Drawings

FLL-AW50K50-D30 shown



Model	FLL-AW50K29-D30/ FLL-AW50K29-DS30	FLL-AW50K50-D30/ FLL-AW50K50-DS30
A	7.7 in. (196 mm)	8.8 in. (223 mm)
B	4.8 in. (123 mm)	6 in. (153 mm)
C	7.5 in. (189 mm)	10.4 in. (265 mm)
D	3.3 in. (85 mm)	4.3 in. (110 mm)
E	2 in. (50 mm)	2.5 in. (62 mm)

### Notes

