

Important: Read all instructions prior to installation.

Wireless LED RGBW 3-Zone Wall Switch for EZ Dimmer Series Controllers

Parts Included

- 1 - RGB 3-Zone LED Dimmer Wall Switch
- 2 - Mounting Screws

Pairing Controller

1 Pairing Switch

To Pair Wall Switch to Controller, push once and then push Wall switch. Lights will blink once to indicate linking. To unpair Wall Switch(es), push and hold until lights blink twice.

2 Master/Slave Jumper

Set Jumper to Master for main Controller. Master emits synchronization signal to Slave Controllers. Set Jumper to Slave to receive synchronization signal from Master Controller. Use Master for the first Controller in each zone. To achieve precise synchronization between Controllers in one zone, set additional Controllers to slave.

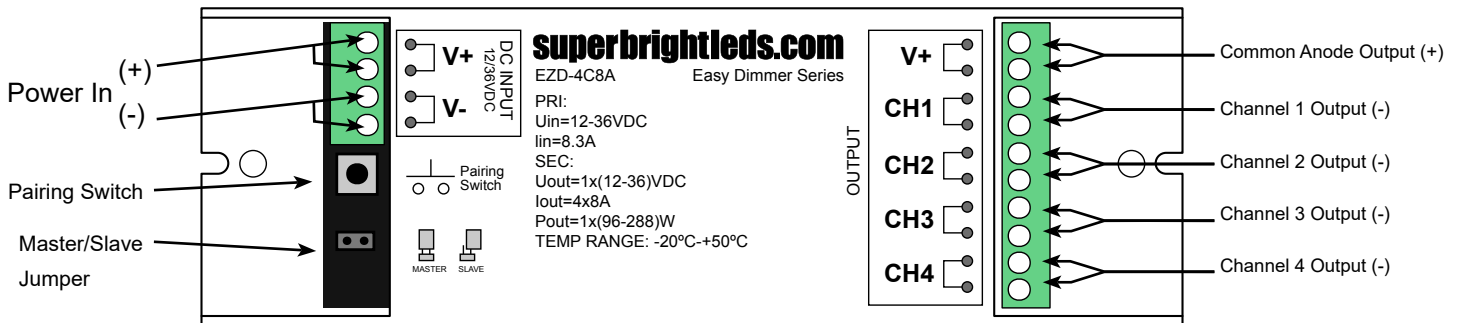
Safety

- DO NOT install with power applied to controller or switch.
- DO NOT expose the Wall Switch or Controller to moisture.

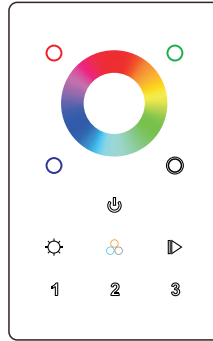
Wall Switch Instructions

1. Release Wall Switch control panel from Back Plate by separating at notch on bottom of Wall Switch and pivoting away from locking tabs on top of Wall Switch.
2. Connect the wiring from the Wall Switch to the Power Supply as the diagram shown to the right. Optionally, connect wired DMX control signal to DMX controllers.
3. Fasten wall switch to existing switch box using supplied Screws.
4. Align locking tabs on top of Wall Switch Control Panel to Back Plate and pivot Control panel towards Back Plate being sure all locking tabs engage fully.

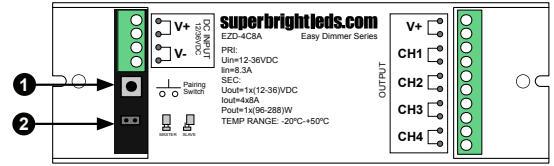
Connection Diagram



EZD-RGBW3-WM



EZD-4C8A Controller



EZD-4C8A Controller		
Input Voltage	Current	Output Wattage
12~36 VDC	4 X 8A	384W(12V) 768W(24V) 1152W(36V)

EZD-RGBW3-WM Remote	
Operating Voltage	12~24 VDC
Operating Frequency	868 MHz
FCC ID#	2ACUQ2820

FCC Statement

This device complies with part 15 of the FCC Rules. Operation is subject to the following two conditions: (1) This device may not cause harmful interference, and (2) This device must accept any interference received, including interference that may cause undesired operation. Any changes or modifications in construction of this device which are not expressly approved by the party responsible for compliance could void the user's authority to operate the equipment.

Set-Up Instructions

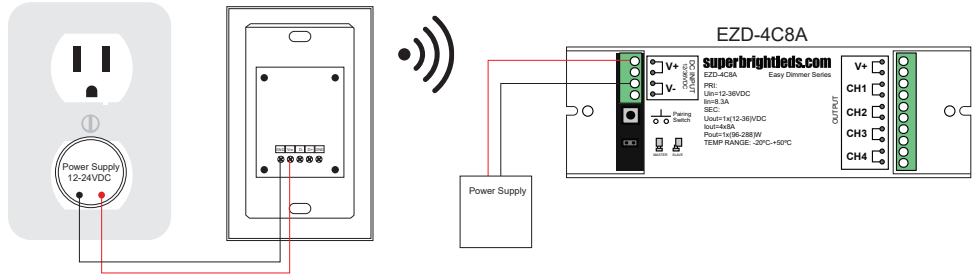
Remote

1. Follow illustrated steps below to connect Wall Switch to Power Supply. Connect GND terminal to negative and connect VIn to positive from power supply.

Controller

1. Make sure power to the Controller is disconnected.
2. Using a small flathead screwdriver, loosen the labeled terminal screws visible on the top of the controller.
3. Matching light strip wires with labeled slots on the Controller, insert wires and tighten terminal screws. Be sure wire conductor, not wire insulation, is secured in terminal.
4. Turn power on and wait until light strip illuminates. If it does not come on, check light strips and wiring connections.

Back of EZD-RGBW3-WM Wireless RF Control

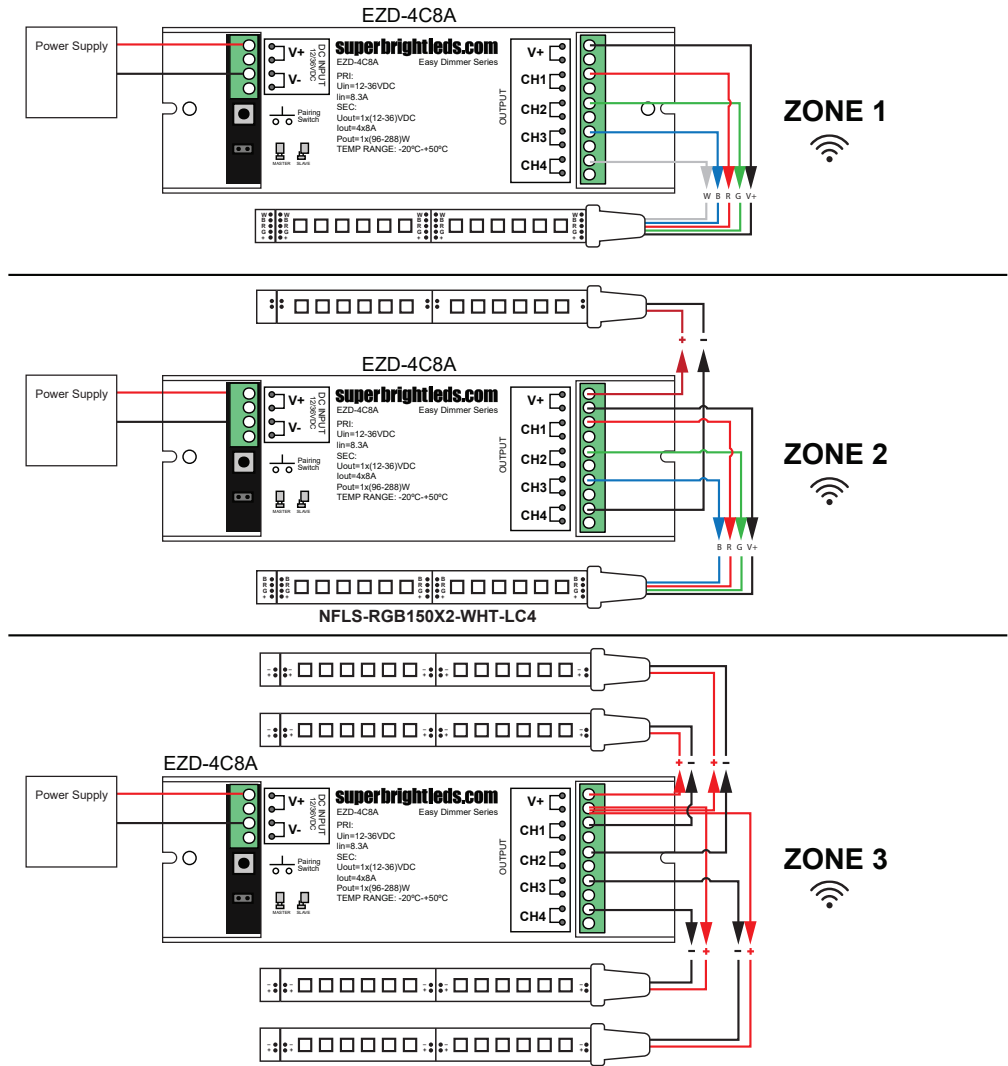


Important: Read all instructions prior to installation.

Wireless LED RGBW 3-Zone Wall Switch for EZ Dimmer Series Controllers

Multi-zone Diagram

Note: Multi-zone control will only work with wireless control setup.



Important: Read all instructions prior to installation.

Wireless LED RGBW 3-Zone Wall Switch for EZ Dimmer Series Controllers

Remote Functions

LED Indicator -
Illuminates Blue when Wall Switch is active. Tap Master On/Off until Indicator is Blue. Controls are now active. Illuminates Red when system is off.

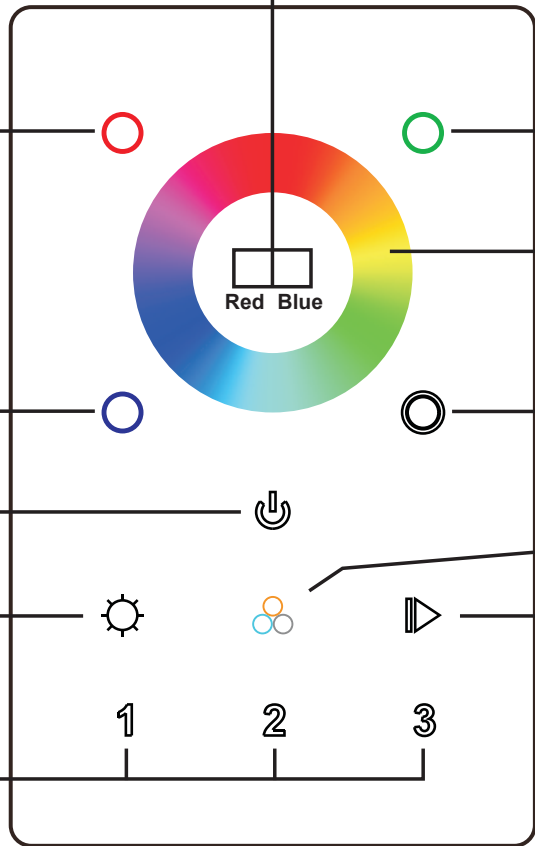
Red Button - Single press turns on or off red LEDs of the active zone. Press and hold to adjust red intensity of the active zone.

Blue Button - Single press turns on or off blue LEDs of the active zone. Press and hold to adjust blue intensity of the active zone.

Master On/Off - Toggles power to all zone. Retains all settings on power toggle.

Brightness Buttons - Increases or decreases intensity of the active zone. Does not control white channel(s)

Zone Buttons - Single press initiates control of that zone. Press and hold individual zone button to turn on or off that zone.



Green Button - Single press turns on or off green LEDs of the active zone. Press and hold to adjust green intensity of the active zone.

Color Wheel - Directly select color from any mode by rotating finger around to fine-tune desired color.

White Button - Single press turns on or off white LEDs of the active zone. Press and hold to adjust white intensity of the active zone.

RGB White Button - Selects or adds RGB natural white, cool white or warm white of the active zone.

Play/Pause Button - Single press to initiate color changing modes(10). Single press to pause color changing mode. Single press again to select the next color changing. Press and hold to adjust tempo of color changing modes.

