

Important: Read all instructions prior to installation.

LED Explosion Proof Lights

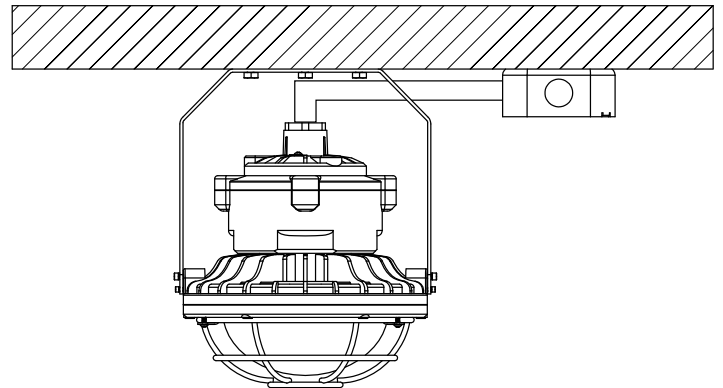


EPLS-xK60WG-PBGN

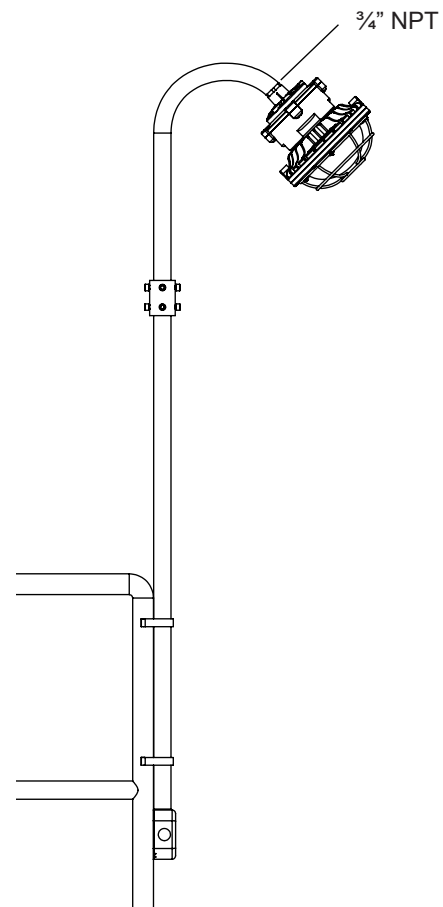
Installation

Lights can be mounted using the included U-bracket or the 3/4" NPT threaded hole on the rear of the light.

U-Bracket Mount



Pole Mount



Specifications

Model EPLS	-xK60WG-PBGN	-xK100WG-PBGN	-xK150WG-PBGN
Operating Temperature	-22°–122° F (-30°–50° C)	-40°–131° F (-40°–55° C)	
IP Rating	IP66		
Fixture Weight	16.9 lb (7.7 kg)	25.5 lb (11.6 kg)	26.1 lb (11.8 kg)

Check product label for specific electrical specifications related to installation.
Improper installation will void warranty.

Safety and Notes

- Product should be installed by a certified electrician in accordance with applicable national, state, and local building and electrical codes
- To reduce the risk of electric shock, ensure that the main power source and circuit breakers are switched off before performing any installation or wiring procedures.
- Avoid looking directly into the light when illuminated.
- Failure to properly support the fixture may result in damage or injury, for which the manufacturer does not assume responsibility.

Wiring Diagram

