

EPLS Series

LED Explosion Proof Light

Project _____

Date _____ Type _____



EPLS-50K60WG-PBGN

Available Models¹

4000K

- EPLS-40K60WG-PBGN
- EPLS-40K100WG-PBGN
- EPLS-40K150WG-PBGN

5000K

- EPLS-50K60WG-PBGN
- EPLS-50K100WG-PBGN
- EPLS-50K150WG-PBGN

Part Number Breakdown

Example: EPLS-50K60WG-PBGN

Family	Color Temperature	Wattage	Option 1	Option 2	Option 3	Option 4	Option 5
EPLS	40K [4000K] or 50K [5000K]	60 [60 W]	WG [wire guard]	P [prismatic glass]	B [U-bracket]	G [grey housing]	N [3/4" NPT base]
		100 [100 W]					
		150 [150 W]					

Features

- 100–277 VAC
- 80+ CRI
- L70 rated 50,000 hour lifetime
- Engineered for Class 1 Division 2 hazardous locations and high particulate areas

Construction

Vibration-resistant aluminum housing and tempered glass lens.

Application

Easily replaces canopy lights as well as other common low bay lights. These lights are great solutions for granaries, farm buildings, refineries, wastewater and sewage treatment plants, mills, mines, repair shops, and paint booths.

Output Equivalencies

EPLS-xK60WG-PBGN	175 W metal-halide
EPLS-xK100WG-PBGN	250 W metal-halide
EPLS-xK150WG-PBGN	400 W metal-halide

Warranty

Five (5) Year Warranty

Certifications and Compliances

These lights are UL Listed in compliance with UL 1598 (IFAM) and UL 844 (IFUX). All EPLS lights are certified to Class I, Division 2, Groups A, B, C, D. 60 W models are IK09 rated and 100 W and 150 W models are IK07 rated. 60 W and 150 W lights have a T-class rating of T4A and 100 W lights have a rating of T5.



Notes



T 314.743.3067

F 314.972.6202

email: commercial-sales@superbrightleds.com

www.superbrightleds.com/cat/industrial-led-lighting/

Rev V2 Date: 8/10/2020

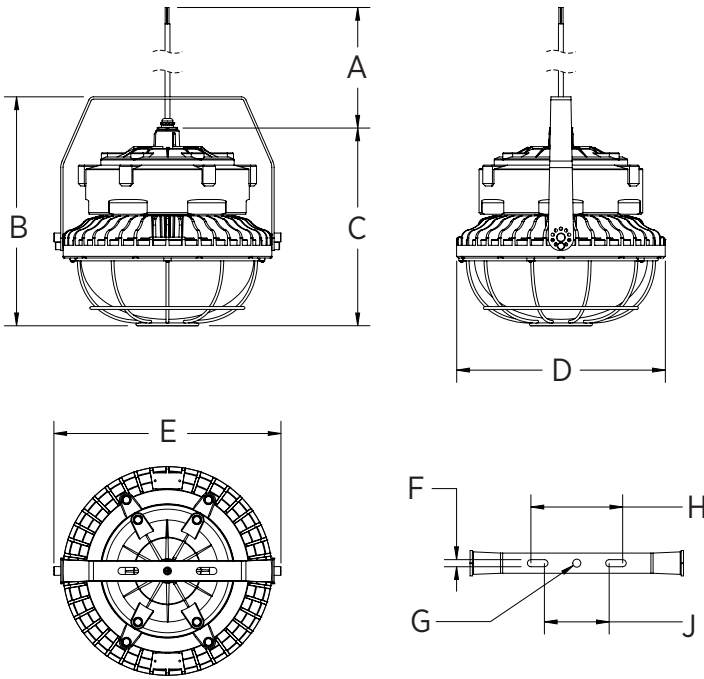
Specifications are subject to change without notice.

Printed in the U.S.A.

EPLS Series

LED Explosion Proof Light

Dimensional Drawing



Dimension	EPLS-xK60WG-PBGN	EPLS-xK100WG-PBGN / EPLS-xK150WG-PBGN
A	14.75 in. (375 mm)	16 in. (406 mm)
B	10.1 in. (257 mm)	13.5 in. (343 mm)
C	8.4 in. (213 mm)	12.2 in. (310 mm)
D	7.7 in. (196 mm)	12.75 in. (324 mm)
E	8.3 in. (211 mm)	13.9 in. (353 mm)
F	0.34 in. (8.6 mm)	0.43 in. (10.9 mm)
G	0.48 in. (12.2 mm)	0.48 in. (12.2 mm)
H	3.9 in. (99 mm)	5.6 in. (142 mm)
J	2.9 in. (74 mm)	4 in. (102 mm)

The rear of the light has a 3/4" NPT thread plug which can be removed so the light can be connected to conduit.

Specifications

Model	EPLS-xK60WG-PBGN	EPLS-xK100WG-PBGN	EPLS-xK150WG-PBGN
Intensity	7,400 lm	12,250 lm	18,400 lm
Operating Voltage	100-277 VAC		
Power Consumption	60 W	100 W	150 W
Current Draw	217 mA @ 277 VAC	361 mA @ 277 VAC	542 mA @ 277 VAC
Efficacy	123 lm/W		
Color Temperature	4000K or 5000K (as ordered)		
Beam Angle	120°		
CRI	80+		
Dimming	none		
Environmental Rating	IP66		
Ambient Operating Temperature	-40°-122° F (-40°-50° C)	-40°-131° F (-40°-55° C)	
Product Weight	9.4 lb (4.3 kg)	25.5 lb (11.6 kg)	26.1 lb (11.8 kg)
Rated Life (L70)	50,000 hours		

