

**EPLL2 Series**

Linear Explosion-Proof LED Light

Project \_\_\_\_\_

Date \_\_\_\_\_ Type \_\_\_\_\_



**Description**

EPLL series linear explosion-proof lights are designed for use in hazardous locations where flammable gases may be present. Rugged construction withstands high vibration, shock, and impact. Linear form factor and various mounting options make these fit securely in almost any location.

**Mechanical**

- Grey (RAL 7042) powder-coated aluminum housing and frosted polycarbonate lens
- Class I, Division 2, Groups A, B, C, and D rated
- 3/4" NPT rear fitting size for conduit
- Includes surface bracket mount
- Operating temperature of -40°-131° F (-40°-55° C)
- IP66 rated

**Electrical**

- 100-277 VAC input voltage
- 75 W output
- 50,000 hour rated (L70) LED lifetime
- 4 kV surge protection
- ≥0.9 power factor

**Photometrics**

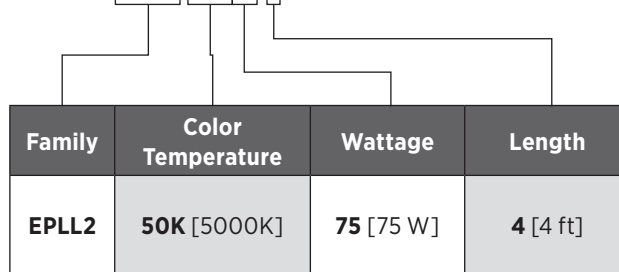
- Wide 120° beam angle
- High efficacy 140 lm/W
- 5000K CCT

**Available Models<sup>1</sup>**

- EPLL2-50K75-4

**Part Number Breakdown**

Example: EPLL2-50K75-4



**Application**

Easily replace canopy lights as well as other common high and low bay lights. These lights are great solutions for granaries, farm buildings, refineries, wastewater and sewage treatment plants, mills, mines, repair shops, and paint booths.

**Warranty**

Five (5) Year Warranty

**Certifications and Compliances**

These lights are IP66 rated and are Certified by UL in compliance with UL 1598 (IFAM) and UL 844 (IFUX). These are hazardous location rated to Class I, Division 2, Groups A, B, C, and D and have a T-Class rating of T5.



**Optional Accessories**

- Adjustable surface mount (EPLL2-CM)



- Hanging/suspension kit (EPLL2-HM)



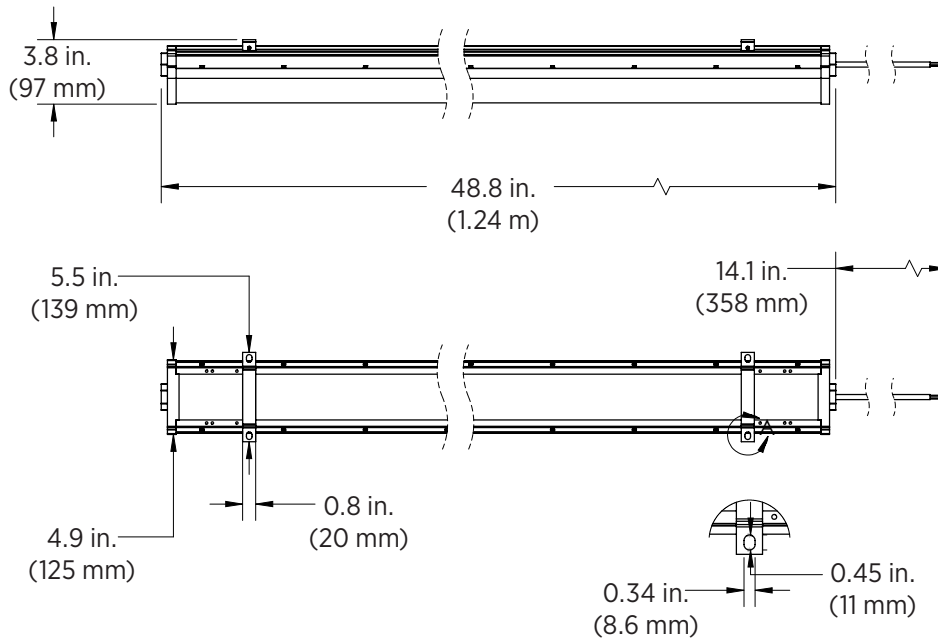
- Pipe/pole mount (EPLL2-PM)



# EPLL2 Series

Linear Explosion-Proof LED Light

## Dimensional Drawing



The end of the light opposite the cord has a 3/4" NPT thread plug which can be removed so the light can be connected to conduit.

## Specifications

Model	EPLL2-50K75-4
Intensity	10,500 lm
Efficacy	140 lm/W
Input Voltage Range	100-277 VAC
Power Consumption	75 W
Current Draw	625 mA @120 VAC 271 mA @277 VAC
Output Equivalency	fixture using two F54T5HO tubes
Color Temperature	5000K
Beam Angle	120°
CRI	70+
Dimming	non-dimmable
Environmental Rating	IP66
Ambient Operating Temperature	-40°-131° F (-40°-55° C)
Product Weight	16.4 lb (7.4 kg)
Rated Life (L70)	50,000 hours

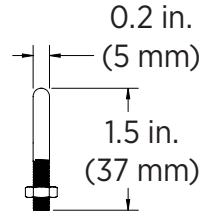
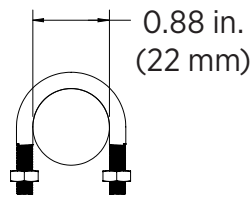


# EPLL Series

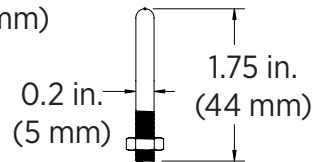
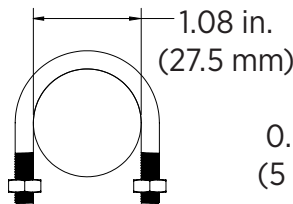
Linear Explosion-Proof LED Light

## Accessory Images/Drawings

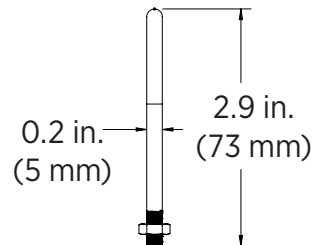
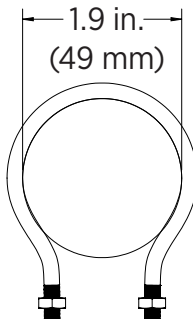
**EPLL-PM220**



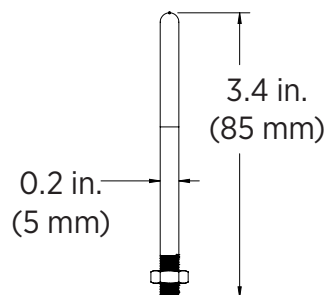
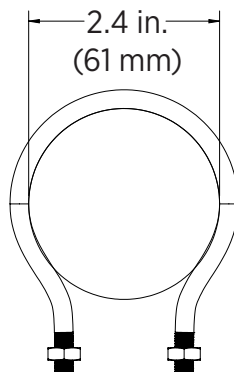
**EPLL-PM275**



**EPLL-PM490**



**EPLL-PM610**

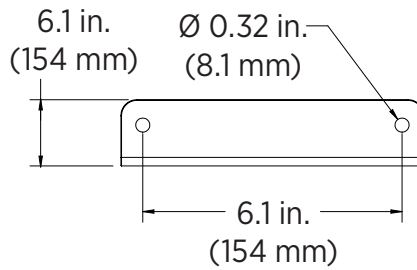
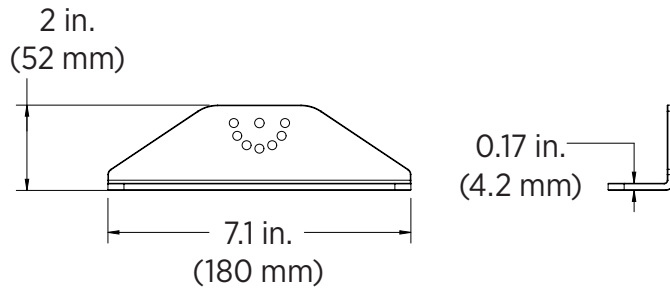


## EPLL Series

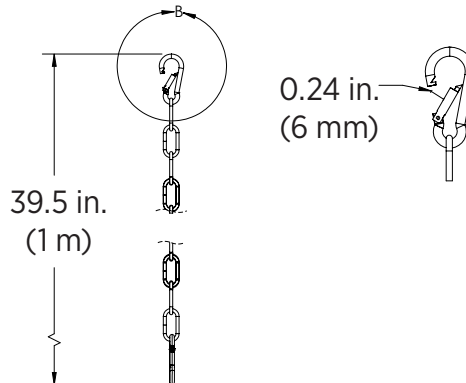
Linear Explosion-Proof LED Light

### Accessory images/drawings

#### EPLL-CM



#### EPLL-HM



#### EPLL-WG (for EPLL-50K40-UGN-110)

#### EPLL-WG-2PK (for EPLL-50K80-UGN-110 or EPLL-50K120-UGN-110)

