

Important: Read all instructions prior to installation.

LED Emergency Light

Included Parts

- 1 - fixture
- 1 - hardware kit

Specifications

ELS-RW	
Total Power Consumption	1.9 Watts
Operating Voltage Range	120/277 VAC
Operating Temperature	50°–104° F (10°–40° C)
Environmental Rating	damp or dry location
Fixture Weight	3.75 lb (1.7 kg)
Recommended Mounting	7.5 ft (2.3 m) high, 26 ft (7.9 m) center-to-center spacing between lights

Safety and Notes

- This product should be installed and serviced by a certified electrician in accordance with applicable national, state, and local building and electrical codes.
- Light must be maintained, tested, and serviced in accordance with all applicable National Fire Protection Association (NFPA) and local codes.
- To reduce the risk of electric shock, ensure that the main power source and circuit breakers are switched off before performing any installation or wiring procedures.
- Avoid looking directly into lamp when illuminated.
- Ensure all mounts are securely attached and will support the weight of the fixture. Failure to properly support fixture may result in damage or injury, for which the manufacturer does not assume responsibility.
- Intended for indoor use only.
- Do not mount near radiant heat sources/heaters.
- Use caution when handling or servicing the battery pack.

Testing

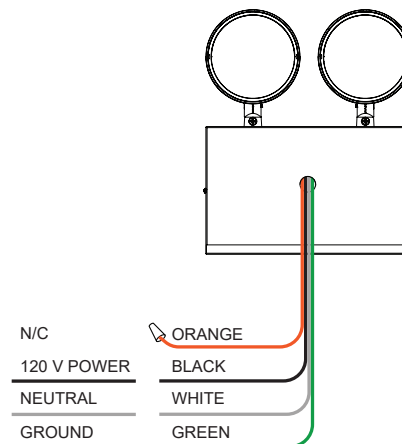
Manual Test

Test button can be held to illuminate lights for manual testing purposes.

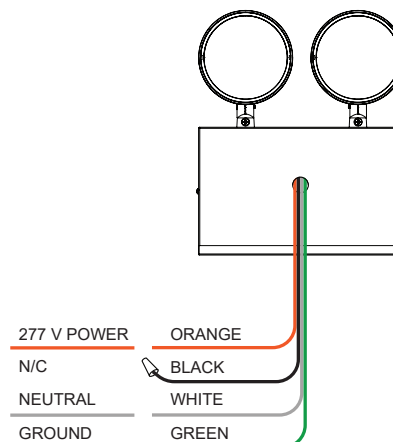


Wiring Diagram

120 V Wiring



277 V Wiring



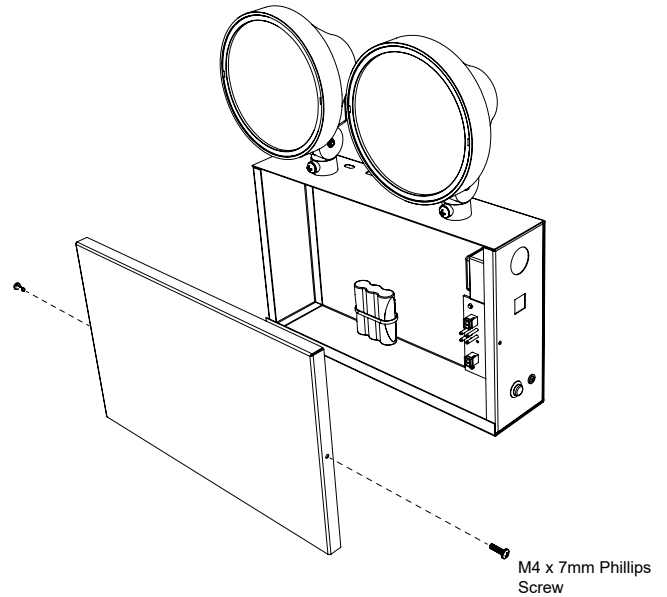
¹Limited 2-year warranty on battery.

Important: Read all instructions prior to installation.

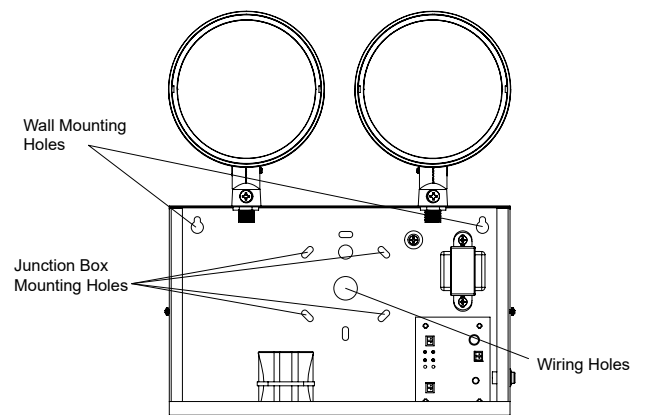
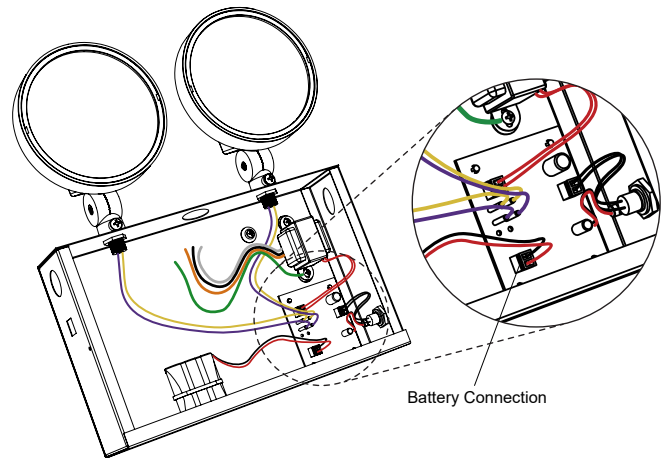
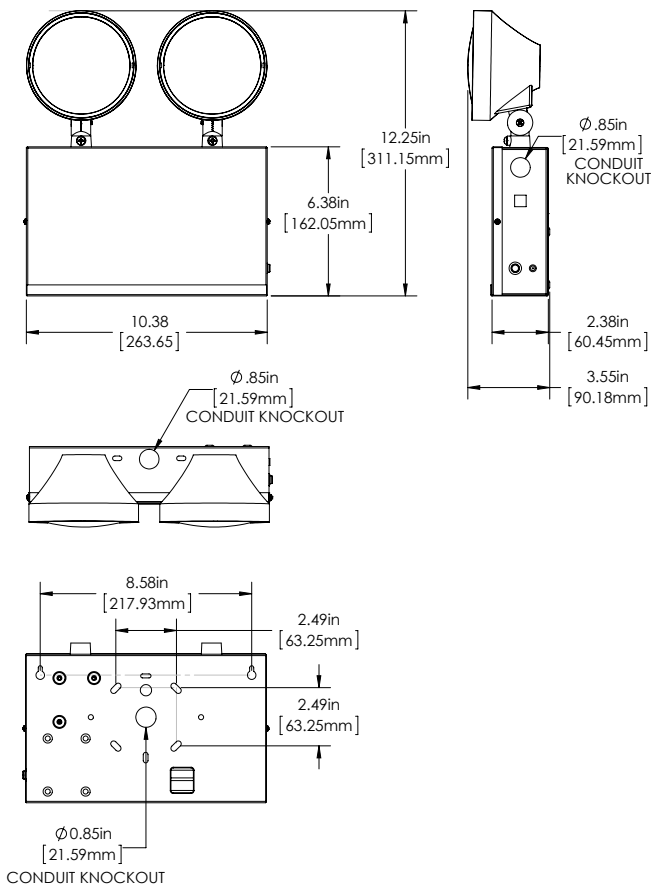
LED Emergency Light

Installation Instructions

1. Remove two screws holding front cover in place.
2. Remove appropriate knockouts for wiring and mounting from rear panel.
3. Using an appropriate strain relief (not included), run wiring through rear panel. Connect wiring to junction box and cap unused wire. (refer to wiring diagram)
Note: Orange and black wires should never be connected at the same time.
4. Securely attach light to junction box with included hardware.
5. Connect battery.
6. Reattach front panel.
7. Apply power and allow battery pack to charge for at least 24 hours before initial use/test.
8. After 24-hour period, press test button to make certain lights are functioning as intended and are aimed correctly.



Dimensional Drawings



*Limited 2-year warranty on battery.

