

Important: Read all instructions prior to installation. SAVE THESE INSTRUCTIONS.

LED Emergency Light

Included Parts

- 1 - fixture
- 1 - hardware kit

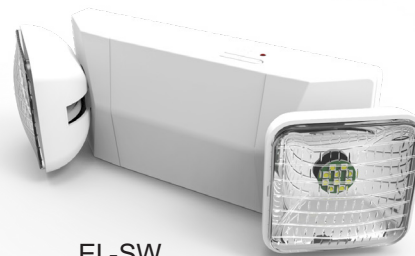
Specifications

EL-Sx	
Total Power Consumption	6 W
Operating Voltage Range	120/277 VAC
Operating Temperature	14°–122° F (-10°–50° C)
Operating Humidity	<90%
Fixture Weight	2.6 lb (1.2 kg)
Battery Type	6V4 5AH Sealed Lead Acid
Maximum Mounting Height	8.35 ft (2.54 m)

Important Safeguards

Read and follow all safety instructions. When using electrical equipment, basic safety precautions should always be followed including the following:

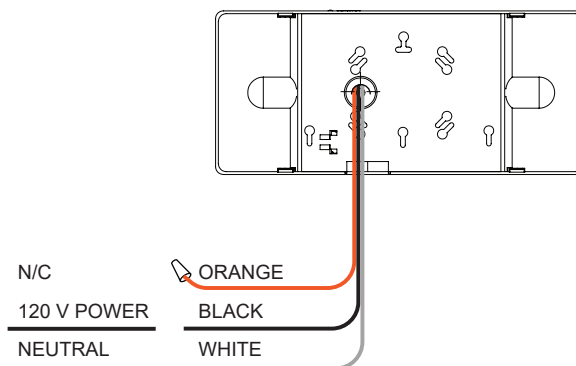
- This product should be installed and serviced by a certified electrician in accordance with applicable national, state, and local building and electrical codes.
- Light must be maintained, tested, and serviced in accordance with all applicable National Fire Protection Association (NFPA) and local codes.
- To reduce the risk of electric shock, ensure that the main power source and circuit breakers are switched off before performing any installation or wiring procedures.
- Ensure fixture is securely mounted and mount will support weight of the fixture. Failure to properly support fixture may result in damage or injury, for which the manufacturer does not assume responsibility.
- Equipment should be mounted in locations and at heights where it will not be subjected to tampering by unauthorized personnel.
- Indoor use only—do not use outdoors.
- Do not mount near gas or electric heaters or any other radiant heat sources.
- Use caution when handling or servicing the battery pack.
- For conduit wiring installation, use flexible conduit only
- The use of accessory equipment not recommended by the manufacturer may cause an unsafe condition.
- Do not use this equipment for anything other than its intended use.



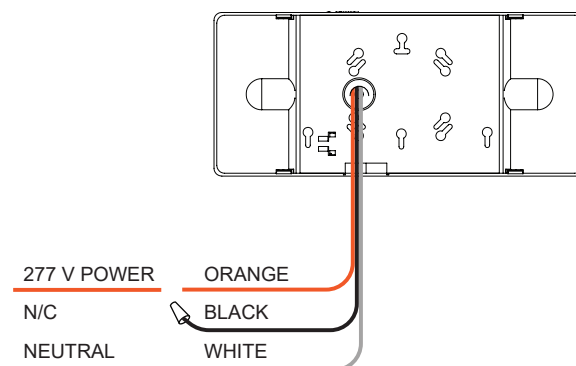
EL-SW

Wiring Diagram

120 V Wiring



277 V Wiring



Testing

Manual Test

Test button can be held to illuminate lights for manual testing purposes.

¹Limited 2-year warranty on battery.



Important: Read all instructions prior to installation. SAVE THESE INSTRUCTIONS.

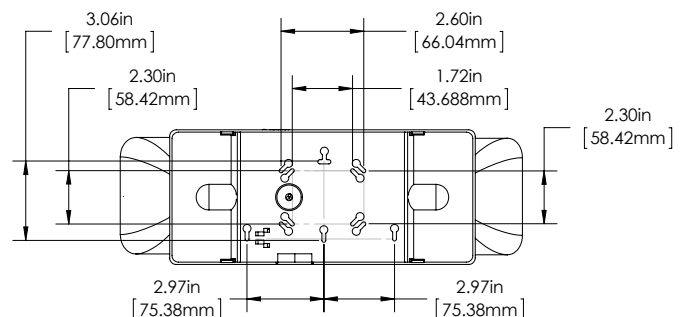
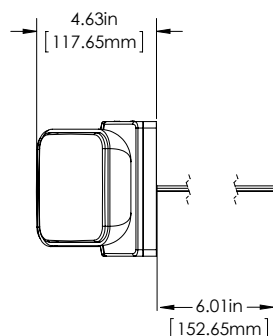
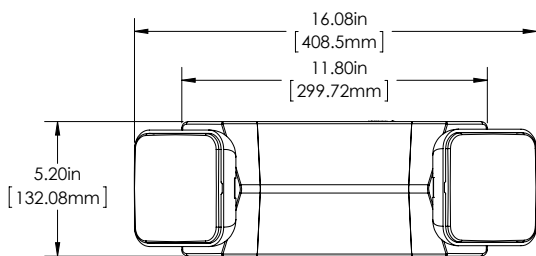
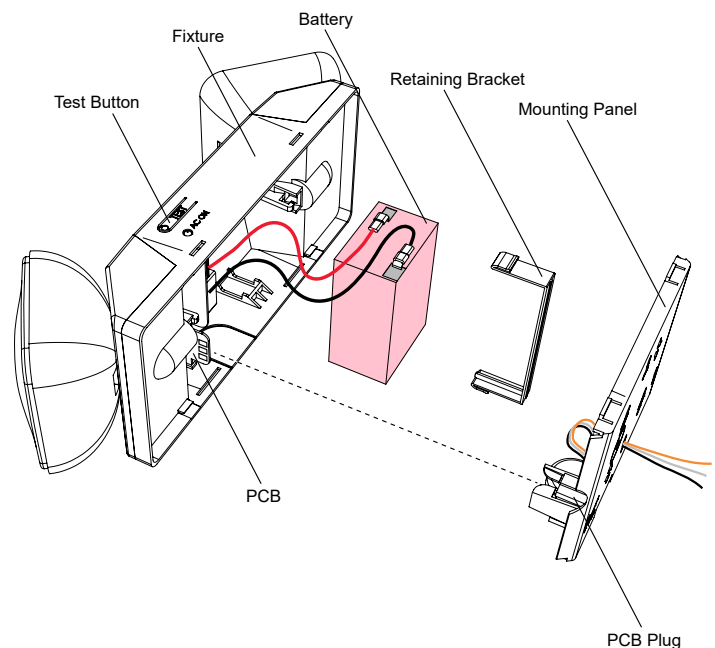
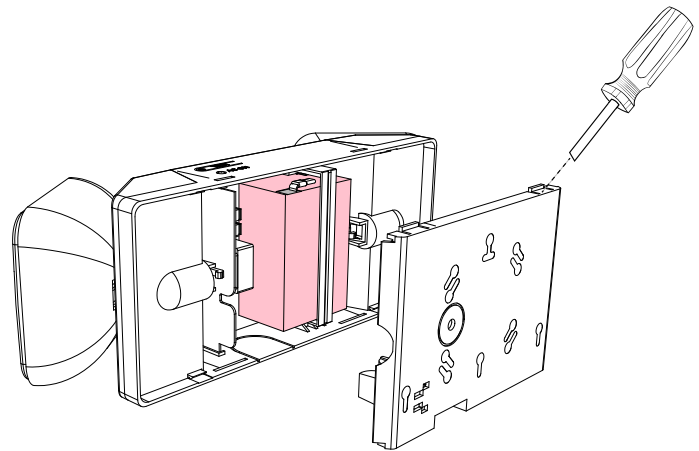
LED Emergency Light

Installation Instructions

1. Carefully remove mounting panel by using a flat-head screwdriver to release tabs in two lower slots.
2. Remove appropriate knockouts for wiring and mounting from real panel.
3. Run wiring through mounting plate and connect wiring to junction box. Cap unused wire. (refer to wiring diagram)

Note: Orange and black wires should never be connected at the same time.

4. Securely attach mounting panel to wall or junction box with hardware.
5. Use a screwdriver to remove battery retaining bracket from light and securely connect battery. Reinstall battery retaining bracket.
6. Reattach light assembly to mounting panel (FIG 3).
7. Apply power and allow battery pack to charge for at least 24 hours before initial use/test.
8. After 24-hour period, press test button to make certain lights are functioning as intended.



*Limited 2-year warranty on battery.

