

60W 12V DC LED Driver



60W Voltage Dimmable Class 2 LED Driver

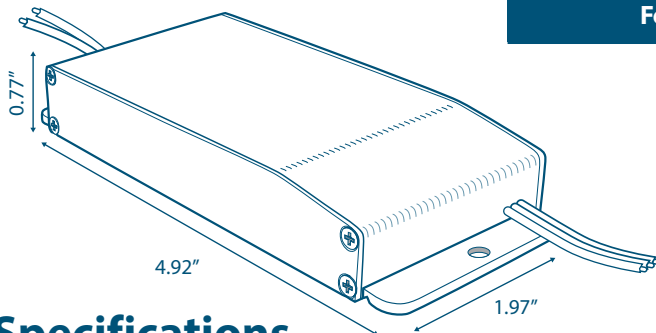
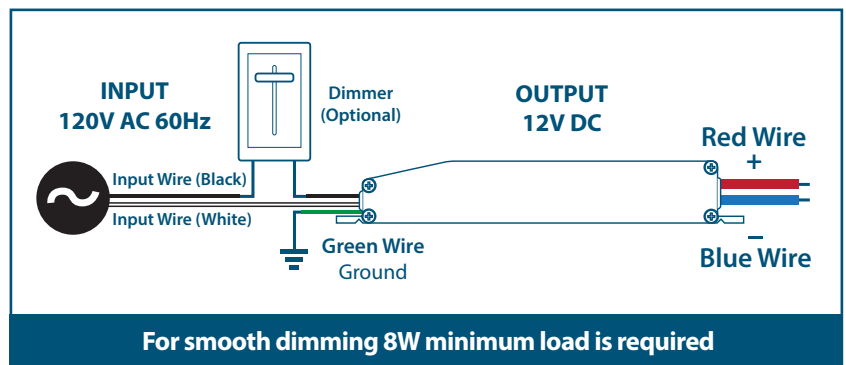
Product Code: E60R12DC

Magnitude's E60R12DC dimmable voltage LED driver is class 2 rated and designed to operate with any standard MLV/Incandescent TRIAC (Leading edge) dimmer switch. The driver's low profile aluminum case makes it the perfect choice for under cabinet lights, tape lights and various LED fixtures installations. Our electrical specification includes Auto Reset, over current and short circuit protection. Efficiency of 90% and higher allows the driver to operate at low temperatures.

Features

- Dimmable with any standard MLV/Incandescent TRIAC-(Leading edge) dimmer switch
- Super compact ALUMINUM CASE.
- Class 2
- UL 8750
- IP67 - Withstands wet and salty conditions.
- Auto-Reset Protection for short circuits, over-voltage and over-temperature.
- FCC 15 part 2
- 12V DC True RMS

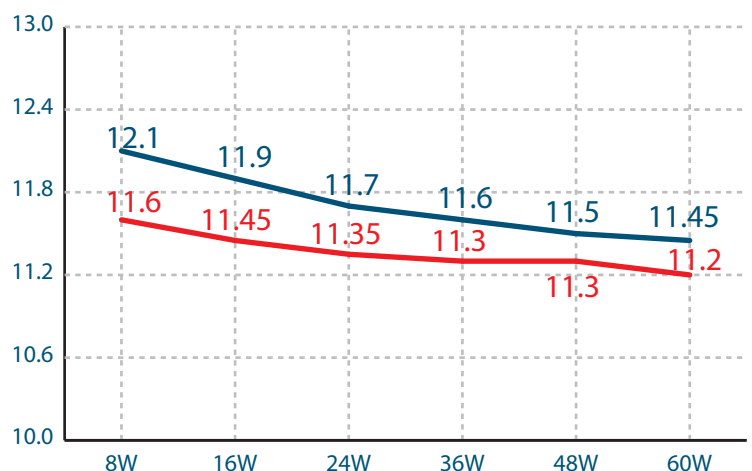
Installation



Specifications

Max Load	60W
Input Voltage	120V AC
Input Current at Max Load	0.61 A
Output Voltage	12V DC
Output Current at Max Load	5.26 A
Power Factor	0.95
Efficiency	> 90%
Operating Temp.	-20°C - 70°C (-4°F - 158°F)
Short circuit protection	Yes
Overcurrent	Yes
Over temperature	Yes
Open circuit protection	Yes
Input Wires (White \ Black)	18 AWG
Output Wires (Red \ Black)	14 AWG
Dimensions L*W*H	4.92" x 1.97" x 0.77"
Weight	9 oz

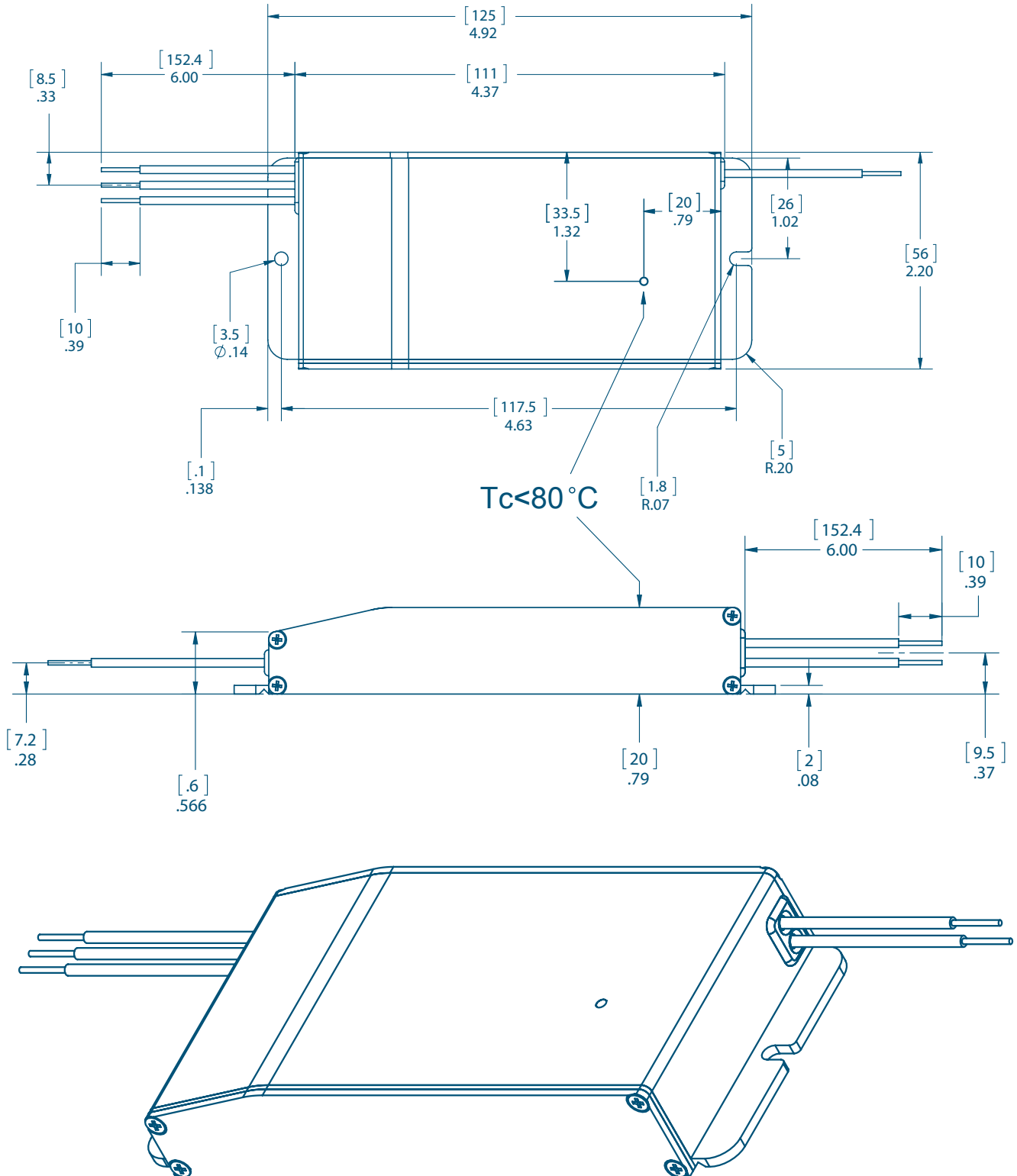
— Output Voltage vs. Load
— Output Voltage With a Typical TRIAC Dimmer (on Max)



The specifications are subject to change without notice



Dimensions



The specifications are subject to change without notice