

#### Description

The DS-SC controller and DS-RT09 remote is a compact, powerful control system for color-chasing LED lights. Compatible with several IC chip types (see compatibility list), this interface will control up to 1,024 pixels. Pair this controller with the bundled wireless remote to navigate the 32 preset modes as well as adjust brightness and chase speed. Simply connect this unit to compatible LED strips and a power supply to create vibrant color-chasing effects, with the convenience of a wireless remote control.

#### Construction

- White plastic housing

#### Functions

- SPI output signal controls a variety of digital LED lights with compatible ICs
- IC type and RGB order can be set and programmed through wireless remote (sold bundled or separately)
- Offers selection of 32 dynamic modes, adjusting brightness, chase speed, and RGB sequence
- Controls up to 1024 pixels

#### Electrical

- 5-24 VDC
- DATA/CLK SPI output for up to 1,024 pixels
- 7.5 A / 37.5-180 W maximum output (wattage varies by input voltage)

#### Available Models

- DS-SC (controller)

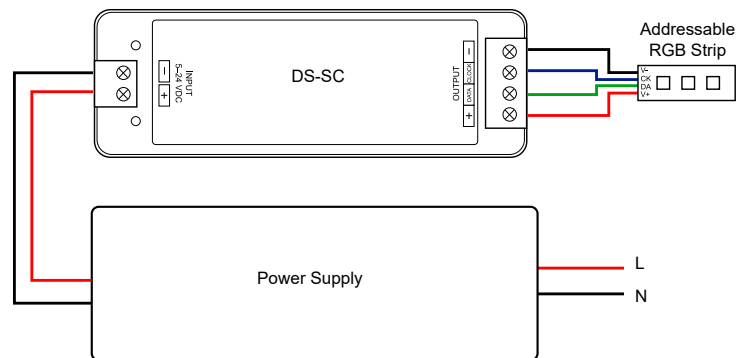
#### Required Accessories

- DS-RT09 (RF remote control, CR2032 battery included)

#### Warranty

Five (5) Year Warranty.

#### Wiring Diagram



#### Specifications

Model	DS-SC
Input Voltage	5-24 VDC (must match strip side voltage)
Max. Input Current	8 A
Max. Output Current	7.5 A
Output Channels	1 (DATA + CLK)
Connection Type	screw terminal (all connections)
RF Range	98.4 ft (30 m)
IP Rating	IP20
Ambient Operating Temperature	-22°-131° F (-30°-55° C)

#### Compatible IC Types

TM1803, TM1804, TM1809, TM1812, UCS1903, UCS1909, UCS1912, UCS2903, UCS2909, UCS2912, WS2811, WS2812, TM1829, TLS3001, TLS3002, GW6205, MBI6120, TM1814B, SK6812, UCS8904B, LPD6803, LPD1101, D705, UCS6909, UCS6912, LPD8803, LPD8806, WS2801, WS2803, P9813, SK9822, TM1914A

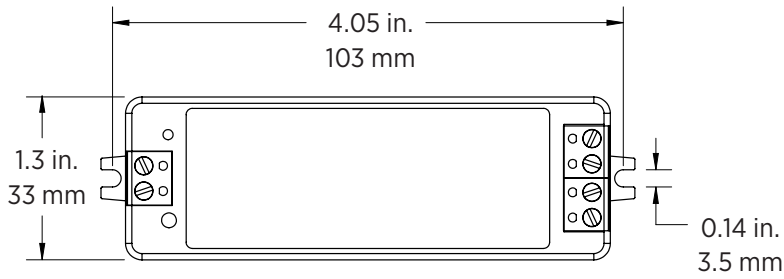
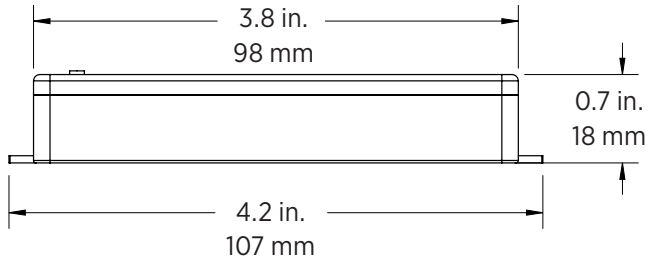


# DS Series

Addressable LED SPI Controller Specifications

## Dimensions

DS-SC



DS-RT09

