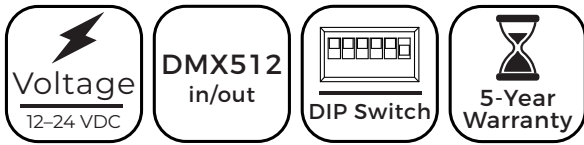




DS-DMX46A



Description

DS-DMX46A DMX/RDM decoder converts DMX and RDM signals for single color, CCT and/or RGBW LED lighting products. It features both DMX decoder and master functions that are easy to switch between. Settings are selected with the use of integrated DIP switch. Screw terminals allow for easy connection to LED light strips and other low voltage LED lighting. Stand alone function allows for easy testing, as well as control of RGB/RGBW LED lights when no DMX signal is present using nine preset modes.

Construction

- DMX master and decoder mode with RDM function
- Easy to program DIP switch settings
- Converts DMX512 signals to single color, tunable white, RGB, and RGBW LED strips and fixtures
- Standalone RGB/RGBW mode with 9 presets
- -22°-131° F (-30°-55° C) operating temperature
- IP20 environmental rating

Electrical

- 1-4 channel configurations
- Terminal block and XLR connections for DMX signal in and out
- 12-24 VDC input/output
- Max output current of 6 A per channel (24 A total)
- Overheat and short circuit protection

Available Models¹

- DS-DMX46A

Specifications

Model	DS-DMX46A
Input Voltage	12-24 VDC
Max. Input Current	24.5 A
Max. Output Current	6 A (per channel)
Max. Output Wattage	72-144 W (per channel, varies by voltage)
Output Channels	4
Connection Type	screw terminal (all connections) XLR (DMX in/out)
IP Rating	IP20
Ambient Operating Temperature	-22°-131° F (-30°-55° C)

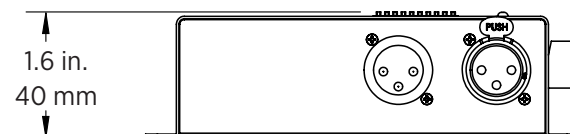
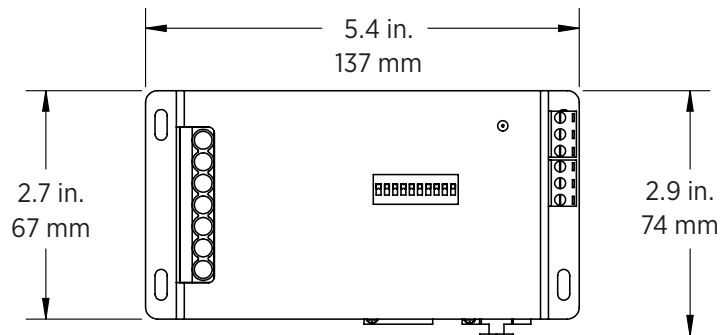
Warranty

Five (5) Year Warranty

Certifications and Compliances

This DMX/RDM decoder is CE compliant.

Dimensions

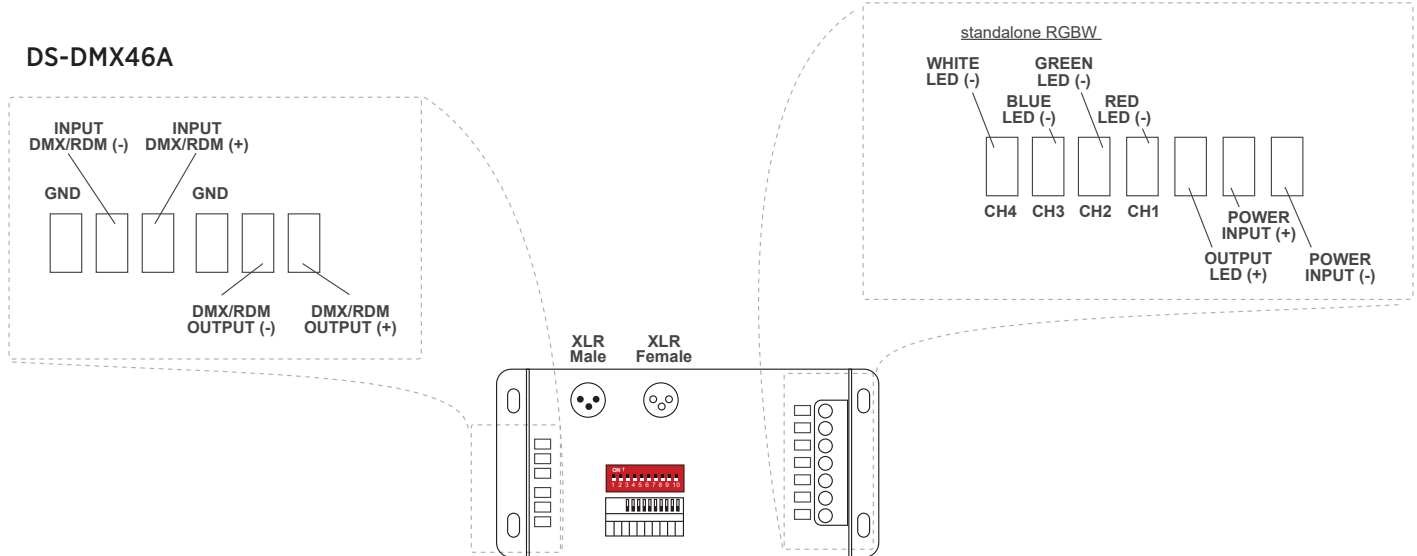


¹Contact customer service if interested in options other than those listed.

DS Series

DMX/RDM Decoder Specifications

Wiring Connection Diagram



Notes

