

**Important: Read all instructions prior to installation.**

## 16 bit DMX CV Decoder for LED DMX Controllers

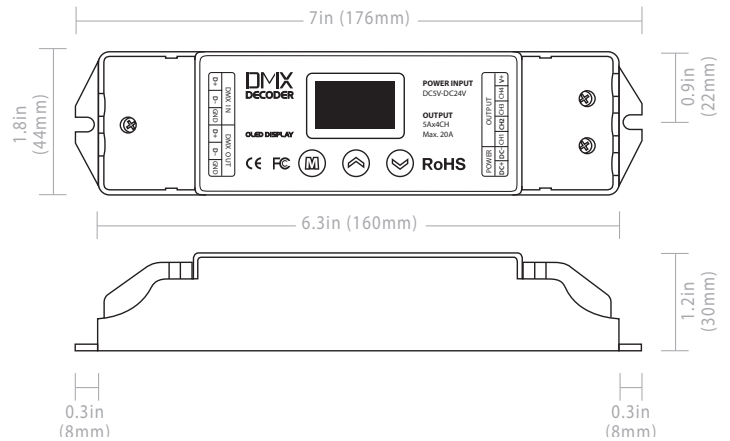


DMXD-RGBW-5A is the world's first OLED display DMX decoder. The 4 channel DMX Decoder controls up to 4 different 5~24VDC LED products or any one RGB or RGBW LED Light Bar or Strip. DMX address is easily set using push button switches under the display. Receives DMX-512 digital control signals via 3 wire terminal strip connection. DMX decoding driver converts universal DMX512 digital signal to PWM signal, which can be controlled by DMX512 console with 8-bit/16-bit gray scale output per channel. Maximum load 5 Amps per channel - 20 Amps total. Available DMX Starting Channel 001-512

### Technical Specs

Decode Channel	4CH
Input Signal	DMX-512
Output Signal	20A Total Maximum Load
Power Supply	DC 5~24V
Power Dis.	4CH×5A
Power Output	100W(5V) / 240W(12V) / 480W(24V)
Operating Temp.	-30°C~55°C
Size	L7in×W1.8in×H1.2in (L175xW44xH30mm)
Weight	4.2oz (120g)

### Product Dimension



### Operation Interface Instruction

#### Programming

##### Setting the beginning channel:

If only the channel number is displayed press any button to wake up the controls. Press the M button once and the DMX address begins to flash. Use ^ and v buttons to select the desired channel. When the desired channel is displayed do not press any buttons. In approximately 15 seconds, the channel number will stop flashing and the channel is set.

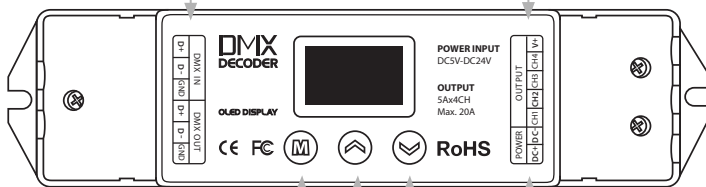
#### Wiring

##### Output Channels (4 x 5 Amp, 20 Amp total, Output Voltage Determined By Input Voltage)

V+	Common Positive Voltage
R	Red / DMX Channel One Output (5 Amp MAX)
G	Green / DMX Channel Two Output (5 Amp MAX)
B	Blue / DMX Channel Three Output (5 Amp MAX)
W	White / DMX Channel Four Output (5 Amp MAX)

##### DMX signal (DMX 512)

Data +	DMX Data High
Data -	DMX Data Low
GND	DMX Ground



##### Display and Buttons

Display	See Screen Interface Diagram (On backside)
Button M	Changes Digit Selection
Button ^	Increase Selection
Button v	Decrease Selection

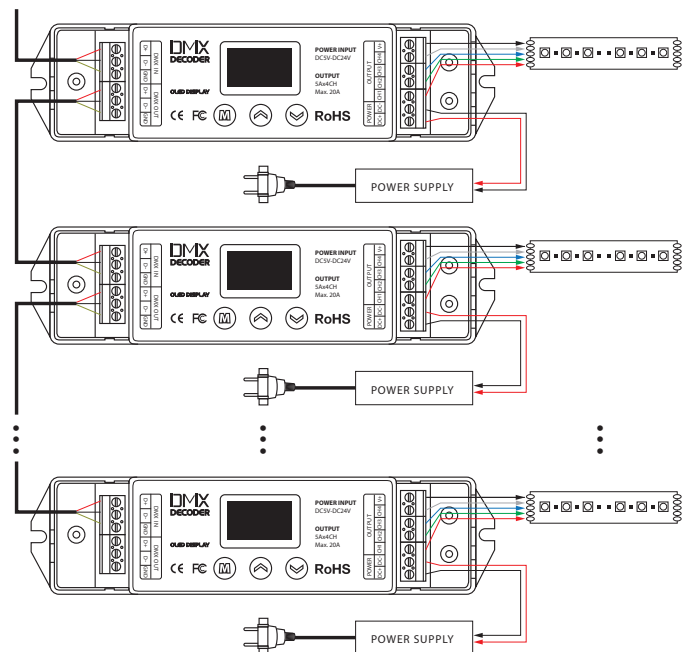
##### 5VDC-24VDC

V-	DC Power In Negative
V+	DC Power In Positive

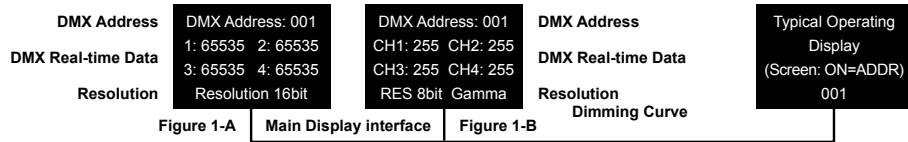
### Conjunction Diagram

#### (1) RGBW Application

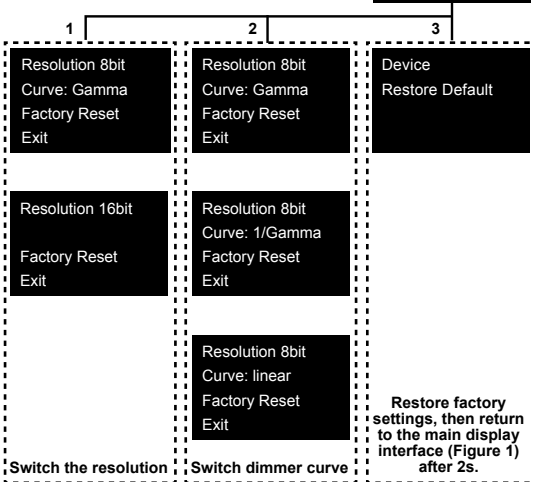
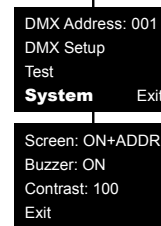
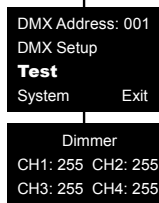
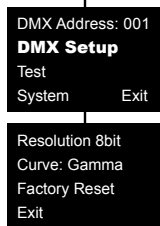
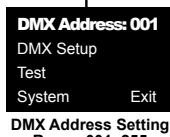
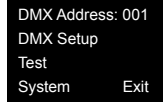
##### To DMX Master Control



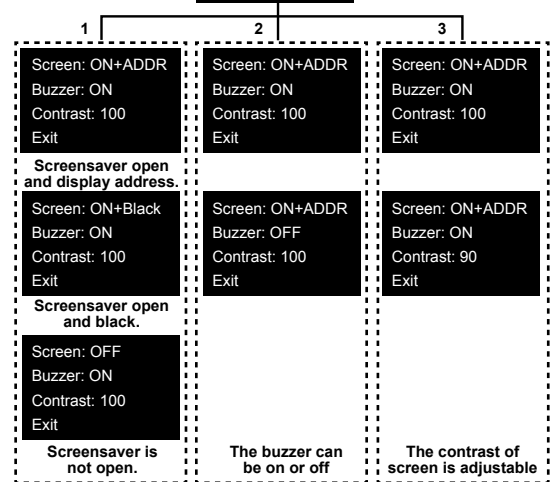
# OLED Screen Interface Diagram



Press "M" key to enter the setting interface



When "Dimmer" is flashing, press "A" or "V" to enter sub-menu.



Press "A" or "V" to select scene.



6 Self-test Dynamic Scene. Speed & Brightness & White LED Adjustable.

Speed Range: 1-8 Bright Range: 10%-100% White Range: 0-100% Exit: Return to the previous menu

Press any button to wake up controls. (After two minutes controls become inactive and the starting channel is displayed on the OLED display)

**"M" Button** - Short press cycles through the menu settings  
Long press returns to the main menu

**"A" Button** - Short press selects the flashing option or increases the value of the flashing option

**"V" Button** - Short press selects the flashing option or decreases the value of the flashing option

To reset the unit to the factory defaults long press "M/A/V" from main menu screen. Device Restore Default appears for two seconds, then main menu is displayed

or

From the main menu press "M" until DMX Setup is flashing and press "A or V". Then press "M" until Factory Reset is flashing and press "A or V" to reset the unit.

## Warranty Agreement

1. A Lifetime Warranty is given from the date of purchase. The warranty is for free repair or replacement and covers manufacturing faults only.
2. Warranty exclusions:
  - Any damages caused from improper operation, or connecting to excess voltage and overloading.
  - The product appears to have excessive physical damage.
  - Damage due to natural disasters and accidents.
3. Repair or replacement as provided under this warranty is the exclusive remedy to the customer. We shall not be liable for any incidental or consequential damages for breach of any stipulation in this warranty.
4. Any amendment or adjustment to this warranty must be approved in writing by our company only.

## Safety & Warnings

1. The product shall be installed and serviced by a qualified person.
2. This product is non-waterproof. Please avoid the sun and rain. When installed outdoors, please ensure it is mounted in a waterproof enclosure.
3. Good heat dissipation will prolong the working life of the controller. Please ensure good ventilation.
4. Make sure the output voltage of any LED power supplies used complies with the working voltage of the product.
5. Ensure that adequate-sized cable is used from the controller to the LED lights to carry the current. Please also ensure that the cable is secured tightly in the connector to avoid the accidents due to overheat and poor contact on the wire.
6. Ensure all wire connections and polarities are correct before applying power to avoid any damages to the LED lights.
7. If a fault occurs please return the product to your supplier. Do not attempt to fix this product by yourself.



4400 Earth City Expy, St. Louis MO 63045



866-590-3533



support@superbrightleds.com