



# 6" LED Retrofit Luminaire

Part Number: DL6D-x13W

## Features

Features high power **Samsung MP23L** LEDs delivering up to 70 lumens per watt

Replaces 100 watt incandescent bulbs

Built in **UL recognized** driver / no ballast required

**Easy installation** with included E26/E27 Edison medium screw base adapter

**120° optics** improve visibility with wider area illumination

Dimmable to 5% with +83 CRI high color rendering index

Available in **Warm White**, **Natural White**, and **Cool White**



## Product Specifications

Part #	Color Temperature	Comparable Wattage	Max Lumens	Beam Angle	CRI	LED Chip	Operating Voltage
DL6D-CW13W	Cool White (5000k)	100-110w Incandescent	1030	120°	+83	Samsung MP23L	120VAC
DL6D-NW13W	Natural White (4000k)		1020				
DL6D-WW-13W	Warm White (2700k)		960				

## Additional Features

13 Watt total power consumption

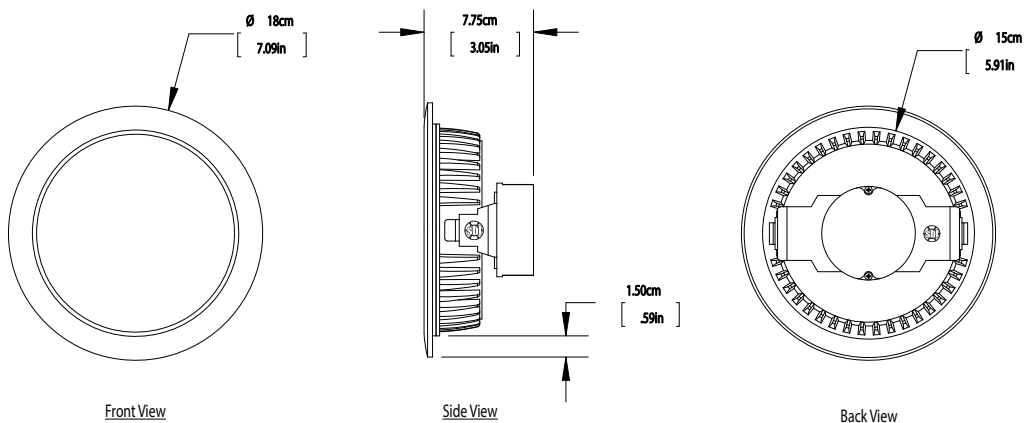
Low energy and maintenance cost

May qualify for incentives & rebates

No strobing or flickering

Certiably safe & environmentally sustainable

## Dimensions



## LED Chip Specifications

This products uses Samsung LED Chip SMD2323, LM80 passed, high efficient and low thermal resistance. This LED chip enables color management to preserve high color consistency over the life of the product, with a CRI of at least 83 while maintaining high luminous efficacy.

## Construction & Materials

Thermal management system uses durable upper housing and driver to conduct heat away from LEDs and transfer it to the plenum space for optimal performance. LED junction temperatures stay below specified maximum even when installed in attic insulation with ambient temperatures exceeding 40 C. Suitable for insulated and non-insulated ceilings.

## Optical System

- Unique combination of reflective and refractive optical components achieves a uniform, comfortable appearance while eliminating pixel and color fringing. This ensures smooth light patterns are projected with no hot spots and striations.
- Components work together to optimize distribution, balancing the delivery of high illuminance levels on horizontal surfaces with an ideal amount of light on walls and vertical surfaces. This increases the perception of spaciousness.
- Diameter 5.12' diffusing lens shields may reduce brightness of lens with the ceiling to create a low-glare high angle appearance.

## Electrical System

- Integral, high-efficiency driver and power supply.
- Power Factor > 0.9 nominal
- Input Voltage: 120V, 60Hz
- Dimming: Dimmable to 5% with most incandescent dimmers. (Suggest dimmer manufacturers: Lutron & Leviton)

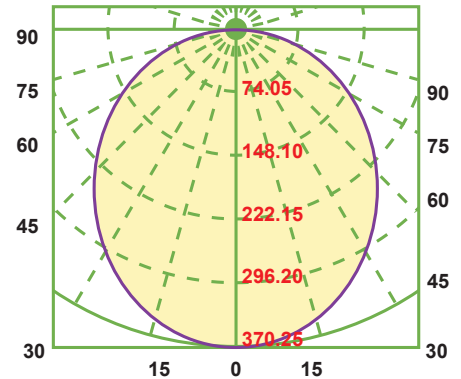
## Certifications

- ENERGY STAR® qualified.
- cULus CLASSIFIED®
- Exceeds ENERGY STAR® color consistency requirements.
- Suitable for DAMP LOCATION.

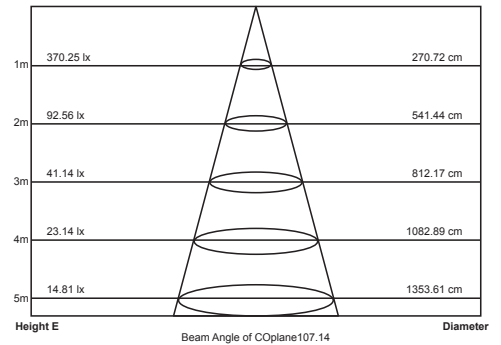
## Photometry

### ZONAL LUMEN SUMMARY

Zone	Lumens	%Fixt	%Fixt
0-30	283.26	28.61%	28.61%
0-40	459.97	46.46%	46.46%
0-60	797.84	80.59%	80.59%
0-90	982.30	99.22%	99.22%
90-120	3.63	0.37%	0.37%
90-130	4.67	0.47%	0.47%
90-150	6.39	0.65%	0.65%
90-180	7.72	0.78%	0.78%
0-180	990.06	100.00%	100.00%



Lux Distance Curve



## Application Reference

### Open Space

Spacing	Lumens	Wattage	LPW	W/FT <sup>2</sup>	Eav FC
4 x 4	980	13	75	0.78	55
6 x 6				0.36	25
8 x 8				0.20	14
10 x 10				0.13	9.19

Open Space: 50'x40'x10', Ceiling: 10', 80/50/20 Reflectance, 2.5' workplane

### Corridor

Spacing	Lumens	Wattage	LPW	W/FT <sup>2</sup>	Eav FC
4 x 4	980	13	75	0.52	17
6 x 6				0.35	11
8 x 8				0.26	8.41
10 x 10				0.22	6.94

Corridor: 6' wide x 100' long, Ceiling: 10', 80/50/20 Reflectance, light levels on the ground.