

Important: Read all instructions prior to installation.

Dusk-to-Dawn Area Light

Parts Included

- Dusk-to-Dawn Area Light
- Pole Mount Bracket
- Wall Mount Bracket
- Hardware Kit

Safety and Notes

- Product should be installed by a certified electrician in accordance with applicable national, state, and local building and electrical codes.
- To reduce the risk of electric shock, ensure that the main power source and circuit breakers are switched off before performing any installation or wiring procedures.
- Avoid looking directly into the lamp when illuminated.
- Ensure all mounts are securely attached and will support the weight of the fixture. Failure to properly support the fixture may result in damage or injury, for which the manufacturer does not assume responsibility.
- Burn Hazard—do not touch light housing when light is on. Allow housing to cool before handling.



DDAL-40K35-LBRS

Specifications

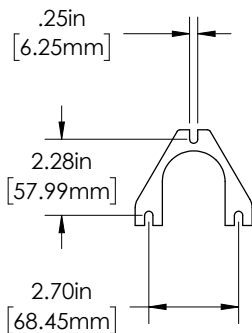
Model	DDAL-xK35-xBRS	DDAL-xK70-xBRS
Input Voltage	120–277 VAC	
Input Power	35 W	70 W
Input Current	0.29 A (292 mA) @120 VAC	0.58 A (583 mA) @120 VAC
Environmental Rating	IP64	
Operating Temperature	-40°–122° F (-40°–50° C)	

Photocell Operation

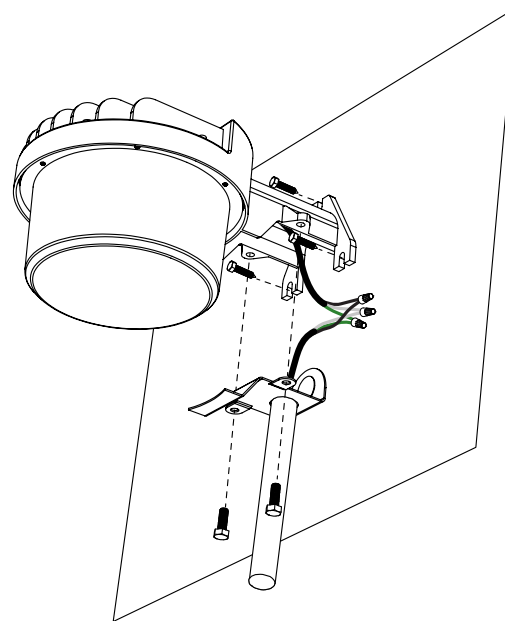
Preinstalled photocell sensor switches light on when ambient light is below 10–20 lx, and off when ambient light goes back above 25–35 lx.

Wall Mount Installation¹

1. Measure mounting flange and drill three 5/32" pilot holes.



2. Partially thread the bottom two lag screws in place.
3. Make all electrical connections. Wire should pass through bottom or rear conduit bracket knockout using an appropriate strain relief (not included).
4. Attach conduit bracket to light.
5. Place light over to lower lag screws and install third lag screw, then tighten all lag screws.



¹DDAL-xKx-LBRS shown, DDAL-xKx-SBRS mounts similarly

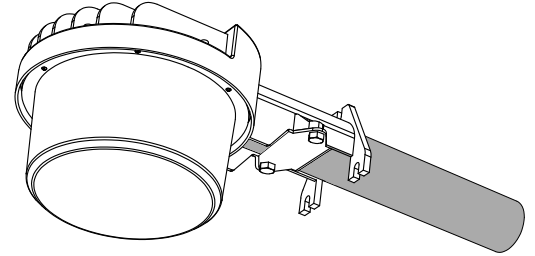
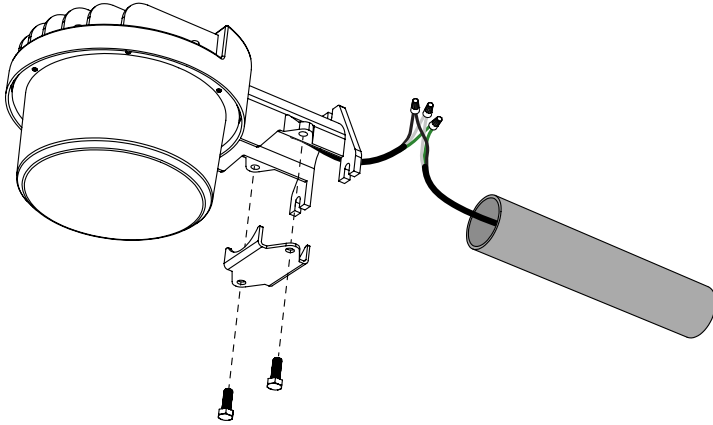
Important: Read all instructions prior to installation.

Dusk-to-Dawn Area Light

Pole Mount Installation¹

1. Make all electrical connections.
2. Loosely attach pole mount bracket to light.
3. Slide light over pole (max diameter 1.75" OD) and tighten mount bracket.

Note: Overtightening bracket may result in damage to pole.



¹DDAL-xKx-LBRS shown, DDAL-xKx-SBRS mounts similarly