

Important: Read all instructions prior to installation.

Field-Selectable Wattage and CCT LED Dusk-to-Dawn Area Light

Safety and Notes

- Product should be installed by a certified electrician in accordance with applicable national, state, and local building and electrical codes.
- To reduce the risk of electric shock, ensure that the main power source and circuit breakers are switched off before performing any installation or wiring procedures.
- Avoid looking directly into the lamp when illuminated.
- Ensure all mounts are securely attached and will support the weight of the fixture. Failure to properly support the fixture may result in damage or injury, for which the manufacturer does not assume responsibility.



DDAL-SW3B60

Photocell Operation

Included photocell sensor switches light on when ambient light goes below 40 lx, and off when ambient light goes back above 125 lx.

Parts Included

- area light
- pole mount bracket
- access plate (for wall installation)
- hardware kit

Specifications

Model	DDAL-SW3Bx
Environmental Rating	IP65
Operating Temperature	-40°–113° F (-40°–45° C)

Check product label for specific electrical specifications related to installation. Improper installation will void warranty.

CCT and Wattage Selection

CCT and wattage are selected using the DIP switch on the front of the light.

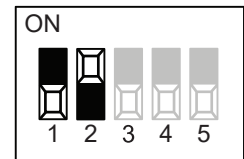
Wattage Selection



100%

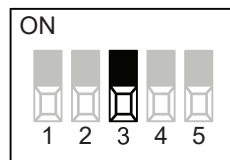


80%

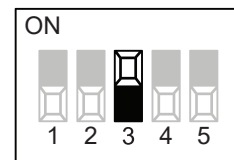


60%

Photocell



OFF

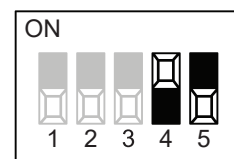


ON

CCT Selection



5000K



4000K



3000K

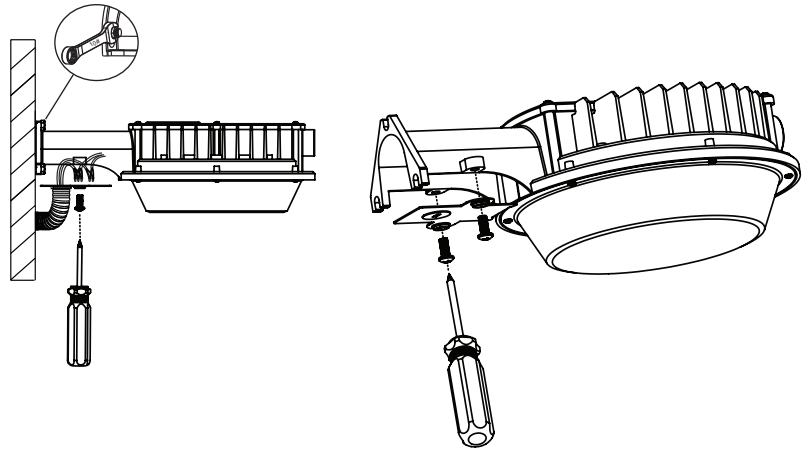
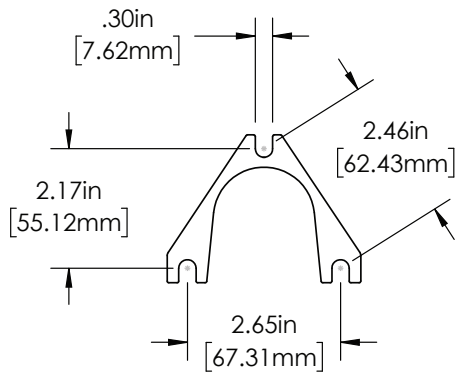


Important: Read all instructions prior to installation.

Field-Selectable Wattage and CCT LED Dusk-to-Dawn Area Light

Wall Mount Installation

1. Remove supply power.
2. Measure mounting flange and drill three pilot holes.
3. Partially thread the bottom two lag screws in place.
4. Place light over to lower lag screws and install third lag screw, then tighten all lag screws.
5. Make all electrical connections. Wire should pass through rear or lower access plate knockout using conduit.
6. Attach access plate to light.
7. Restore supply power.
8. Remove cap and adjust wattage and CCT to desired value. Replace cap to prevent damage to switch.



Pole Mount Installation

1. Remove supply power.
2. Make all electrical connections.
3. Loosely attach pole mount bracket to light.
4. Slide light over pole (max diameter 1.75" OD) and tighten mount bracket.
Note: Overtightening bracket may result in damage to pole or bracket.
5. Restore supply power.
6. Remove cap and adjust wattage and CCT to desired value. Replace cap to prevent damage to switch.

