



CVPS Series

LED Driver Specifications

Project _____

Date _____ Type _____



Available Models

- CVPS-60WM-12V-500
- CVPS-60WM-24V-250
- CVPS-100WM-12V-832
- CVPS-100WM-24V-416
- CVPS-150WM-12V-1248
- CVPS-150WM-24V-624

Part Number Breakdown

Example: CVPS-150WM-24V-624

Family	Output Wattage	Driver Case	Output Voltage	Output Amperage
CVPS	60W [60 W]	M [aluminum housing]	12V [12 VDC]	500 [5 A output (x1)]
			24V [24 VDC]	250 [2.5 A output (x1)]
	100W [100 W]		12V [12 VDC]	832 [4.16 A output (x2)]
			24V [24 VDC]	416 [4.16 A output (x1)]
	150W [150 W]		12V [12 VDC]	1248 [4.16 A output (x3)]
			24V [24 VDC]	624 [3.12 A output (x2)]

Features

- 100-277 VAC input
- 12 VDC or 24 VDC constant voltage output available
- Built-in short-circuit, overload, and over-temperature protection
- Multiple Class 2 outputs

Application

These drivers are an excellent solution for the remote mounting of low voltage LED lights such as strips and light bars.

Notes

Optional Accessories

- 6 ft, 5-15P power cord (_POWERCORD)

Warranty

Five (5) Year Warranty

Certifications and Compliances

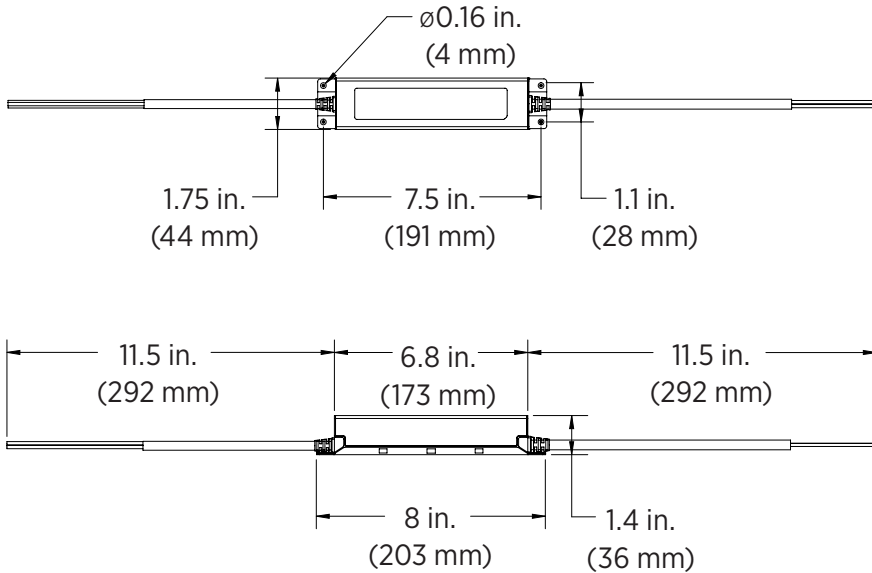
These drivers are UL Recognized Components and are listed in compliance with UL 8750 (FKSZ2).



CVPS Series

LED Driver Specifications

Dimensional Drawing



Specifications

Model		CVPS-60WM-12V-500	CVPS-60WM-24V-250
Input Voltage		100-277 VAC	
Maximum Input Current		0.8 A	
Output Voltage		12 VDC	24 VDC
Maximum Output Wattage		60 W	
Maximum Output Current		5 A per channel (x1)	2.5 A per channel (x1)
Dimming		none	
Efficiency		$\geq 86\%$	
Power Factor		≥ 0.95 (input)	
Short-circuit Protection		yes	
Overloading Protection		yes	
Leakage Current		< 0.75 mA (@277 VAC)	
Hi-pot	I/P-O/P	3.75 kVAC/ 10mA/ 3S	
	I/P-Case	1.8k VAC/ 10mA/ 3S	
Ambient Operating Temperature		-40° - 113° F (-40° - 60° C)	
Over-temperature Protection		yes	
Operating Humidity		20-95% relative humidity, non-condensing	
IP Rating		IP68	
MTBF		50,000 hours	
Weight		1.05 lb (0.48 kg)	1.05 lb (0.48 kg)
UL Standard		UL 8750	

T 866.811.5550

F 314.972.6202

email: commercial-sales@superbrightleds.com

www.diode-drive.com

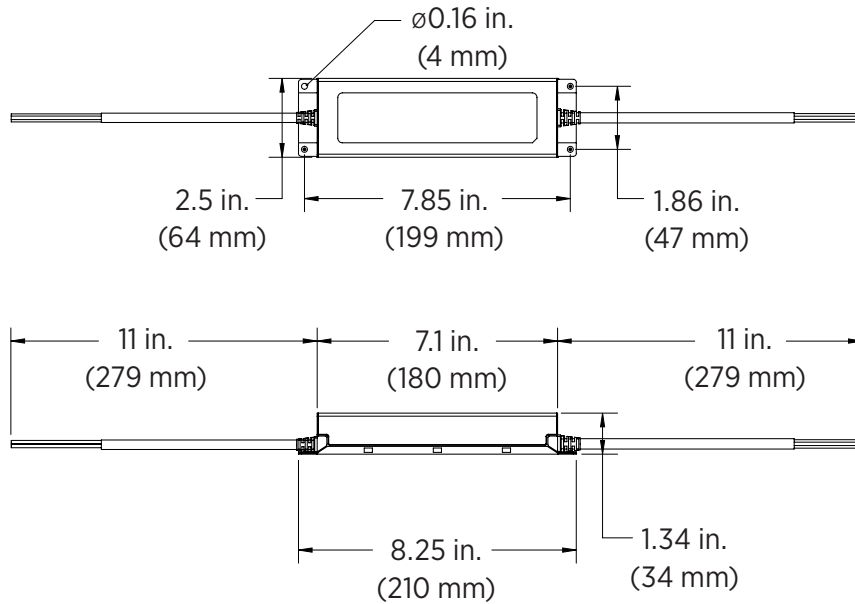
www.superbrightleds.com/cat/power-supplies

CVPS Series

LED Driver Specifications

Dimensional Drawing

CVPS-100WM-24V-416 shown, number of outputs will vary by model



Specifications

Model		CVPS-100WM-12V-832	CVPS-100WM-24V-416
Input Voltage		100-277 VAC	
Maximum Input Current		1.6 A	
Output Voltage		12 VDC	24 VDC
Maximum Output Wattage		60 W	
Maximum Output Current		4.16 A per channel (x2)	4.16 A per channel (x1)
Dimming		none	
Efficiency		≥ 90%	
Power Factor		≥ 0.95 (input)	
Short-circuit Protection		yes	
Overloading Protection		yes	
Leakage Current		<0.75 mA (@277 VAC)	
Hi-pot	I/P-O/P	3.75 kVAC/ 10mA/ 3S	
	I/P-Case	1.8k VAC/ 10mA/ 3S	
Ambient Operating Temperature		-40°-113° F (-40°-60° C)	
Over-temperature Protection		yes	
Operating Humidity		20-95% relative humidity, non-condensing	
IP Rating		IP68	
MTBF		50,000 hours	
Weight		1.6 lb (0.73 kg)	1.55 lb (0.7 kg)
UL Standard		UL 8750	

T 866.811.5550

F 314.972.6202

email: commercial-sales@superbrightleds.com

www.diode-drive.com

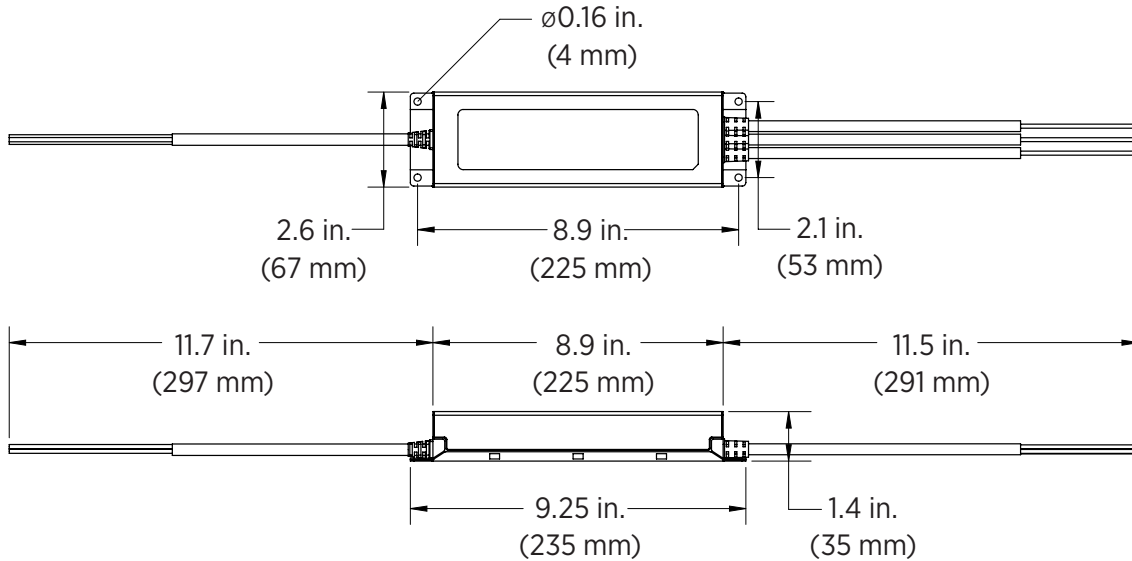
www.superbrightleds.com/cat/power-supplies

CVPS Series

LED Driver Specifications

Dimensional Drawing

CVPS-150WM-12V-1248 shown, number of outputs will vary by model



Specifications

Model		CVPS-150WM-12V-1248	CVPS-150WM-24V-624
Input Voltage		100-277 VAC	
Maximum Input Current		2.1 A	
Output Voltage		12 VDC	24 VDC
Maximum Output Wattage		150 W	
Maximum Output Current		4.16 A per channel (x3)	3.12 A per channel (x2)
Dimming		none	
Efficacy		≥ 93%	
Power Factor		≥ 0.95 (input)	
Short-circuit Protection		yes	
Overloading Protection		yes	
Leakage Current		<0.75 mA (@277 VAC)	
Hi-pot	I/P-O/P	3.75 kVAC/ 10mA/ 3S	
	I/P-Case	1.8k VAC/ 10mA/ 3S	
Ambient Operating Temperature		-40°-113° F (-40°-45° C)	
Over-temperature Protection		yes	
Operating Humidity		20-95% relative humidity, non-condensing	
IP Rating		IP68	
MTBF		50,000 hours	
Weight		1.5 lb (0.68 kg)	2.15 lb (0.98 kg)
UL Standard		UL 8750	

T 866.811.5550

F 314.972.6202

email: commercial-sales@superbrightleds.com

www.diode-drive.com

www.superbrightleds.com/cat/power-supplies